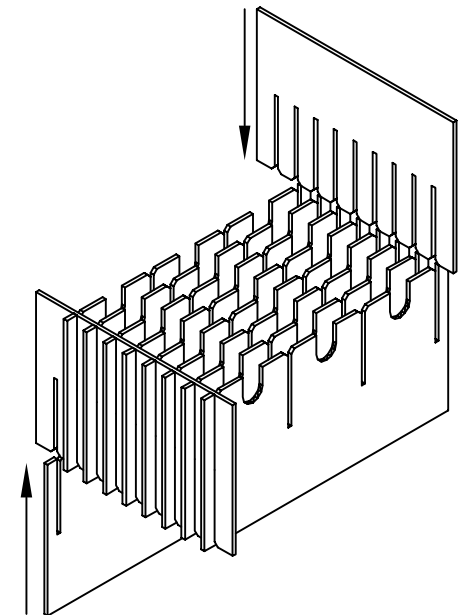
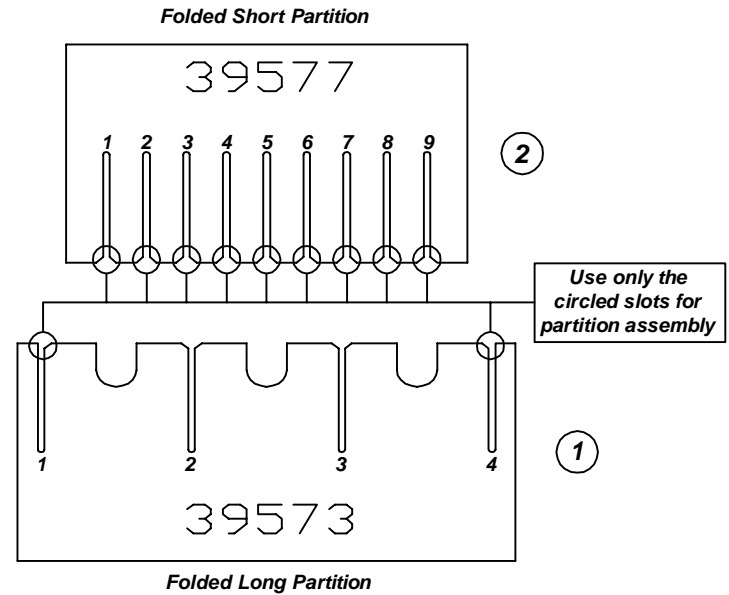
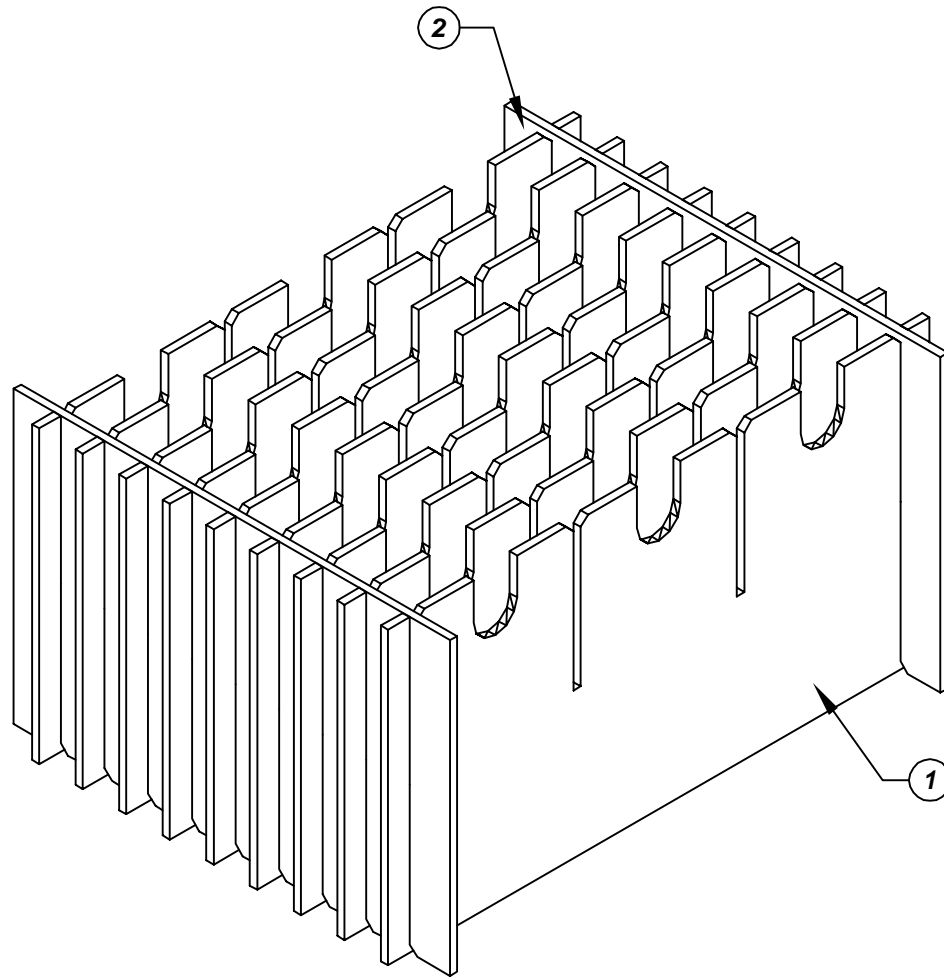


# Assembly Instructions for - 37341



Made in America

F/N ①	Part # <b>39573</b>	Dimensions: <b>20-1/4" x 18-5/8"</b>	Description: <b>460-LP-10/30 Long Partition</b>	Qty: <b>9</b>
F/N ②	Part # <b>39577</b>	Dimensions: <b>20-1/4" x 15"</b>	Description: <b>460-SP-10 Short Partition</b>	Qty: <b>2</b>

## 37341 - 10 Cell Inplant Handler Cell Size - 10" x 16-5/8" x 1-1/4"

Notes:  
For use with the following storage container & lid:  
37524 - Storage Container  
37554 - Lid

PROTEKTIVE PAK  
13520 MONTE VISTA AVENUE, CHINO, CA 91710  
PHONE (909) 627-2578, FAX (909) 363-7331  
ProtectivePak.com



DRAWING NUMBER  
**IPH-37341**

DATE  
**Dec. 2007**