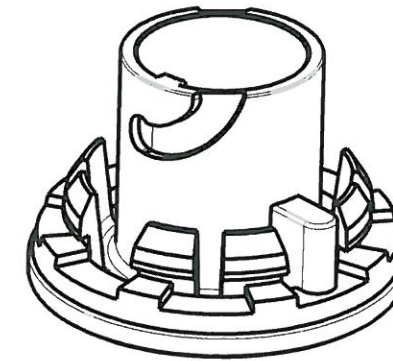
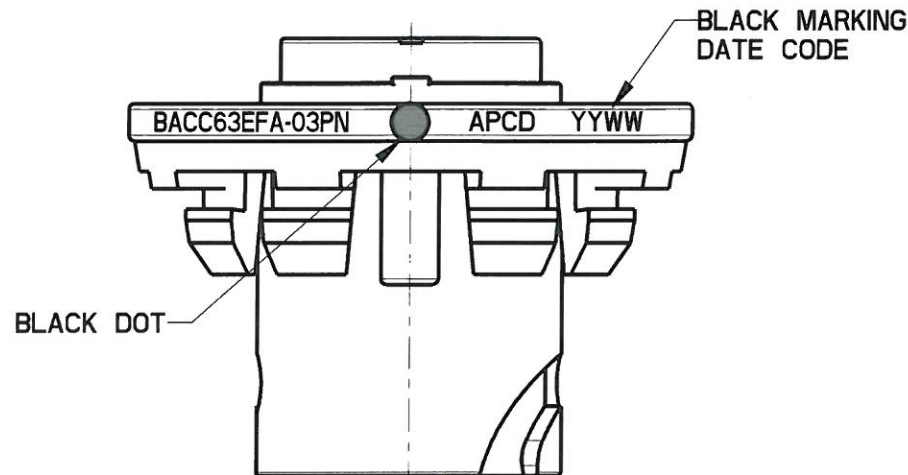
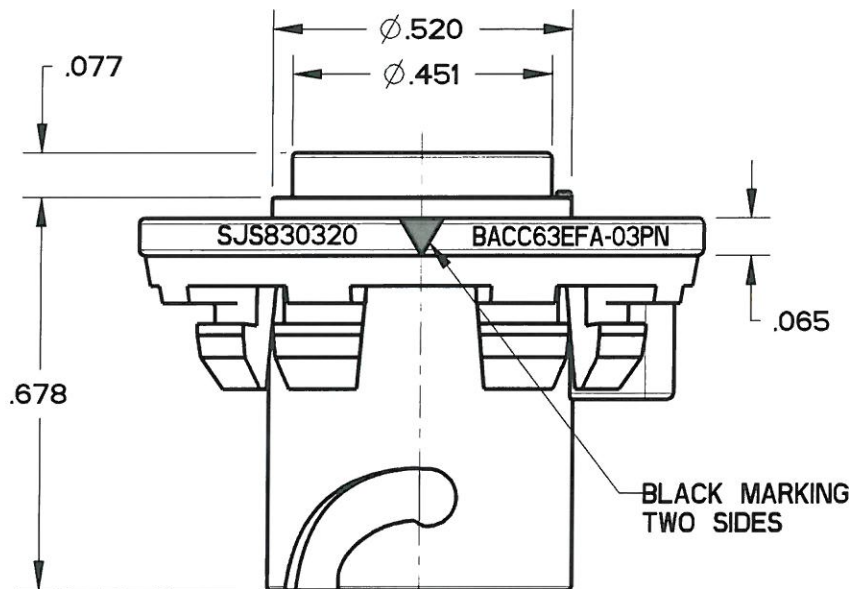
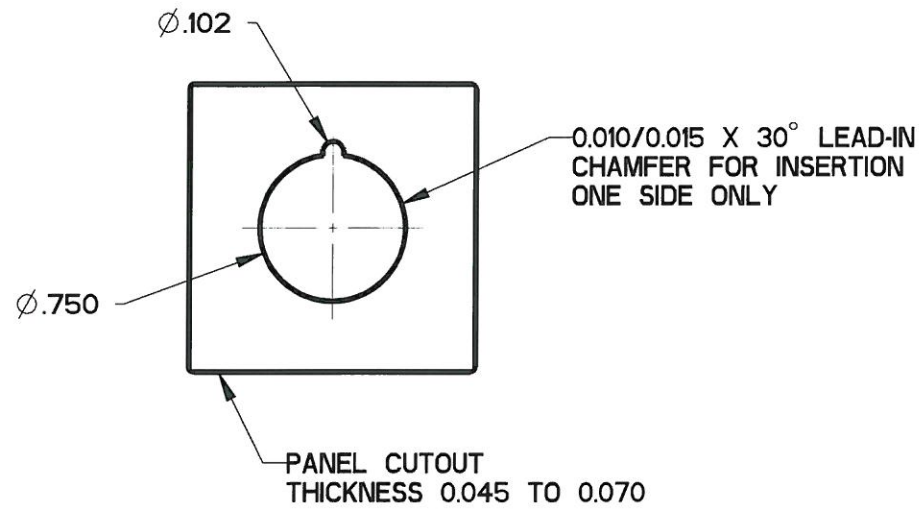
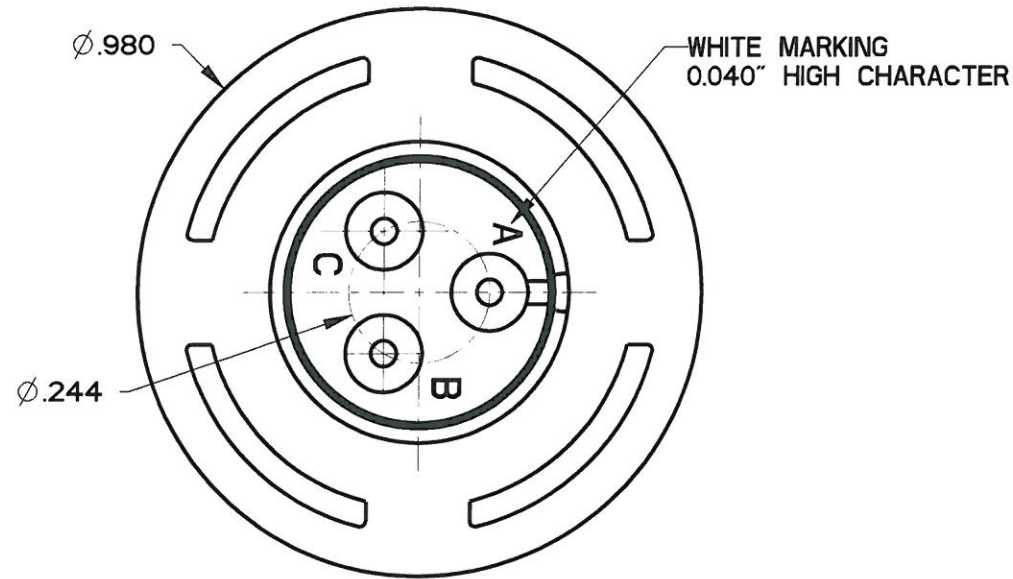


REV	ECN	APP'D
A	6351	JT 09/11/09
B	6473	JT 2/8/10
C	6573	JT 8/30/10



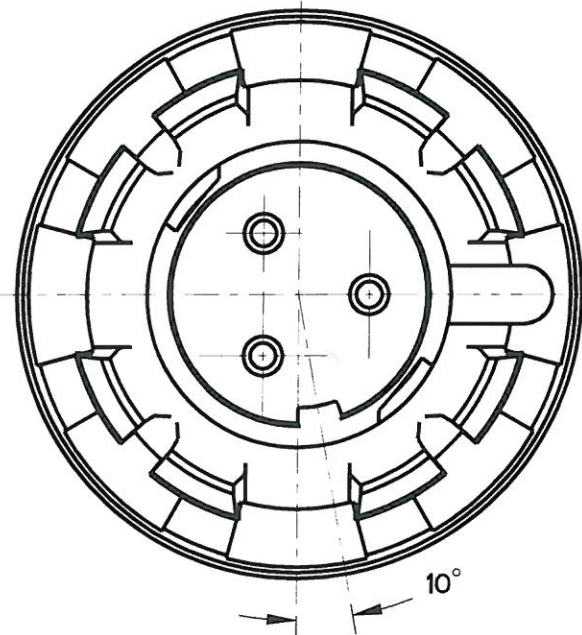
SCALE 2:1

TABLE I

APCD P/N	BOEING P/N	P/N MARKING(S)	CONTACTS SUPPLIED
SJS830320	BACC63EFA-03PNH	BACC63EFA-03PN	NONE
SJS830321	BACC63EFA-03PN	SJS830320	(3) M39029/58-364

NOTES:

- MATERIALS:
HOUSING: PA6/6
CONTACT RETAINER: STAINLESS STEEL
GROMMET: SILICONE RUBBER PER A-A-59588
- MATING CONTACT: SEE TABLE I
- TEST SPECIFICATION: BACC63EF
- PART MATES WITH SJS830310
- WEIGHT: 3.3 GRAMS
- SUPPLIED WITH DUST CAP



DIMENSIONS ANSI Y14.5M UNITS: INCHES Pro/E FILE	TOLERANCES .XX ±0.01 .XXX ±0.005 ANGLES ±1.0°	PROJECTION 	Amphenol Pcd SPECIFICATION DRAWING ENGR Frank.Li 19-Mar-09		TITLE BACC63EFA-03PN 3P SZ16 PANEL WHITE RECEPTACLE FOR SJS		
			ORIGINAL 	THIS DOCUMENT CONTAINS PROPRIETARY INFORMATION WHICH IS THE CONFIDENTIAL PROPERTY OF AMPHENOL PCD INC., BEVERLY, MA		CHKD 8/30/10 APPD 8/30/10	SIZE B DWG NO. SJS830320_CE

SJS830320

SJS830320