

REV. Status

REVISION -
04/03/98 TS

REVISION A
ADDED RoHS
12/05/05 MP

REVISION B
ADDED TEMP
RATING
5/5/15 MP

AUDIO COUPLING MINIATURE ENCAPSULATED TRANSFORMER DESIGNED TO OPERATE 50mW MAX IN SECONDARY AND REFLECT A PRIMARY SOURCE IMPEDANCE OF APPROXIMATELY 600ΩCT WITH 3.2Ω LOAD ON SECONDARY.

MODEL NUMBER
MET-36



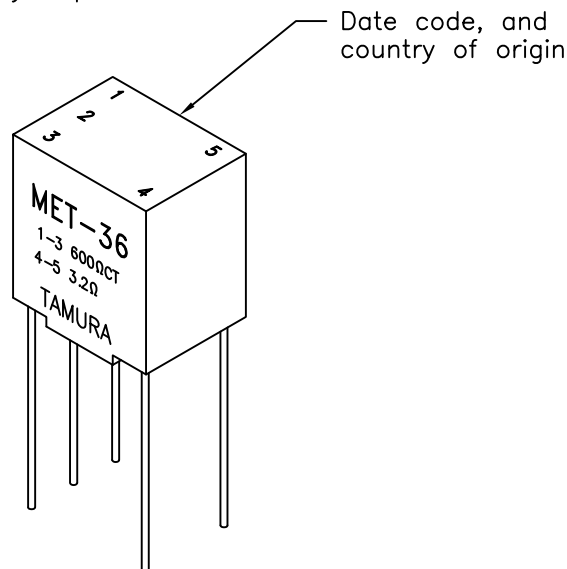
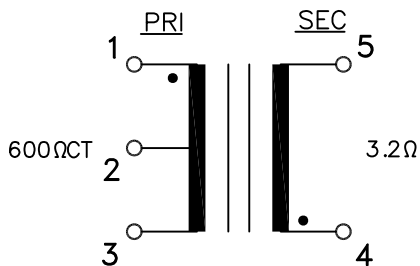
A. Electrical Specifications (@ 20°C)

1. Pri Source Impedance; 600ΩCT
2. Sec Load Impedance; 3.2 Ω
3. Pri DC Current; 4.5mA MAX
4. Operating Level; 50mW MAX @ 300Hz
5. Frequency Response (relative to 1KHz); ±2.0dB, @ 300Hz to 100KHz
6. Longitudinal Balance; 60dB MIN @ 1KHz
7. DC Resistance;
 - (1-3) 60Ω ±20%
 - (4-5) 0.7Ω ±20%
8. Turns Ratio; (1-3) : (4-5) = 13.7 : 1 ±2%
9. Dielectric Strength; 60Hz 500Vrms 0.5 minute @ Pri - Sec

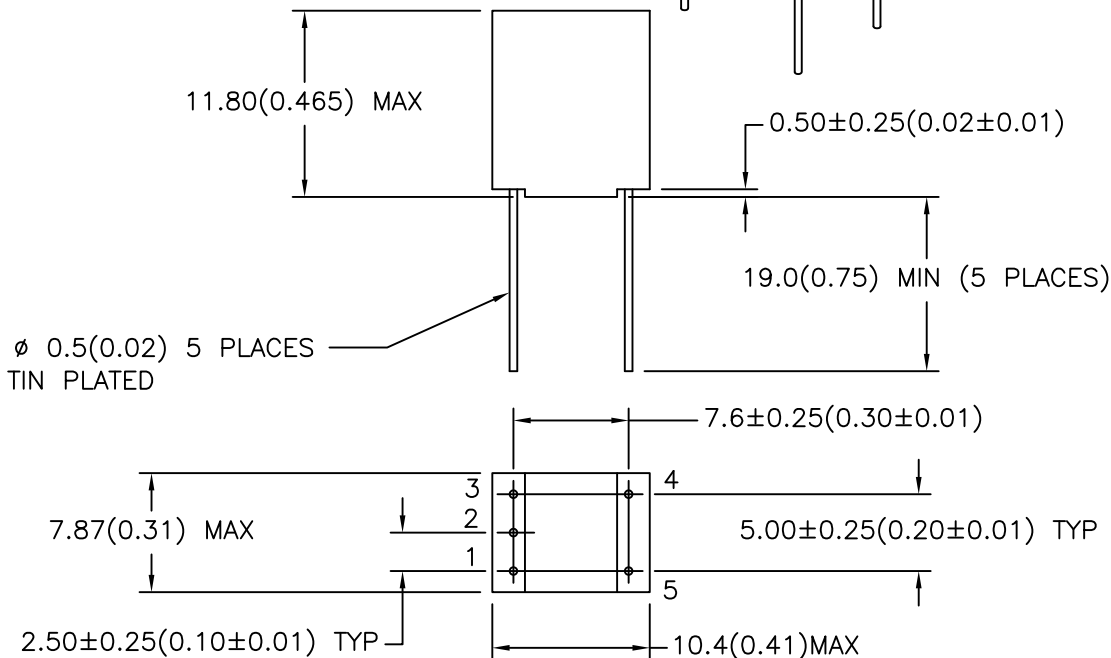
B. Marking; MET-36, TAMURA, Primary and Secondary Impedance, date code and country of origin

C. Operating Temperature: -20 to +85°C
Storage Temperature: -55 to +105°C

D. Schematic Diagram



E. Mechanical Specifications



TOLERANCES (mm)
≤ 4 ± 0.2
4 ≤ 20 ± 0.3
20 ≤ 50 ± 0.4

PREPARED BY:

C. POPPE

ENGINEER:
MATHI P.
SAFETY ENGINEER

DRAWING CONTROL NO. P-A1-12012
REV B

MODEL DESCRIPTION
AUDIO COUPLING
MINIATURE ENCAPSULATED XFMR

MODEL SPECIFICATION
MET-36

CONTENTS OF THIS DRAWING ARE SUBJECT TO CHANGE WITHOUT PRIOR NOTICE

TAMURA CORPORATION OF AMERICA
1040 SOUTH ANDREASEN DRIVE, #100 ESCONDIDO, CA. 92029
(951) 699-1270 FAX 7607400536

DIM: mm[In] SCL: 2/1 SH: 1 OF 1

APPROVED:
M. PITCHAI

PROPRIETARY NOTICE: THIS DRAWING PRINT OR DOCUMENT AND SUBJECT MATTER DISCLOSED HEREIN ARE PROPRIETARY ITEMS TO WHICH TAMURA RETAINS THE EXCLUSIVE RIGHT OF DISSEMINATION, REPRODUCTION, MANUFACTURE AND SALE. THIS DRAWING, PRINT OR DOCUMENT IS SUBMITTED IN CONFIDENCE FOR CONSIDERATION BY THE RECIPIENT ALONE UNLESS PERMISSION FOR FURTHER DISCLOSURE IS EXPRESSLY GRANTED IN WRITING.