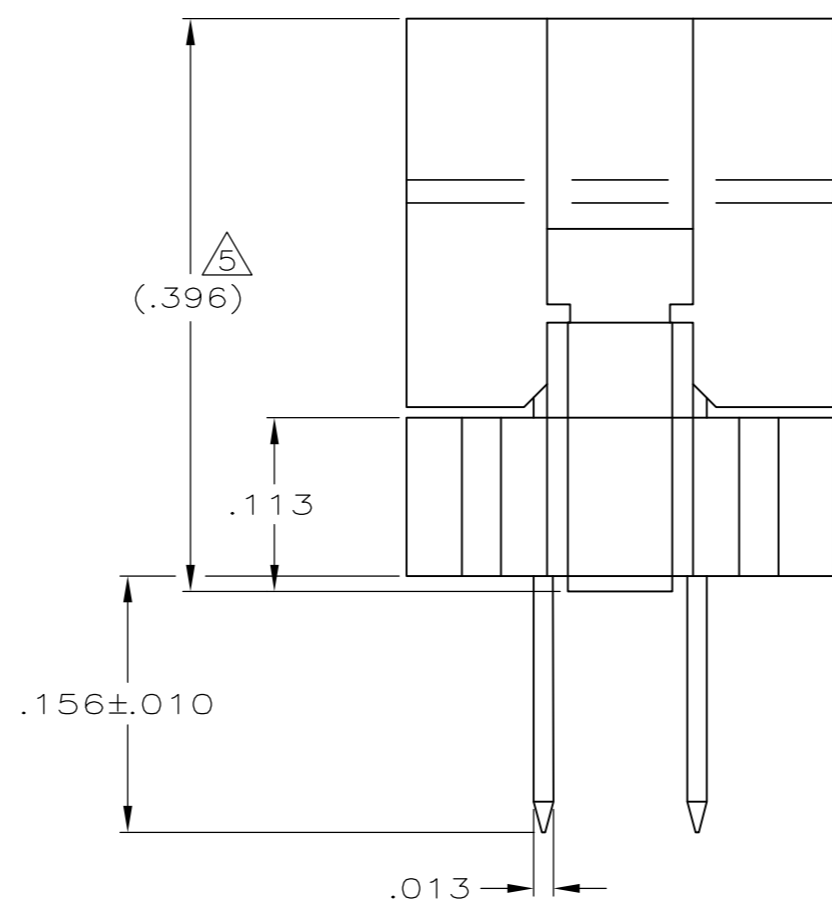
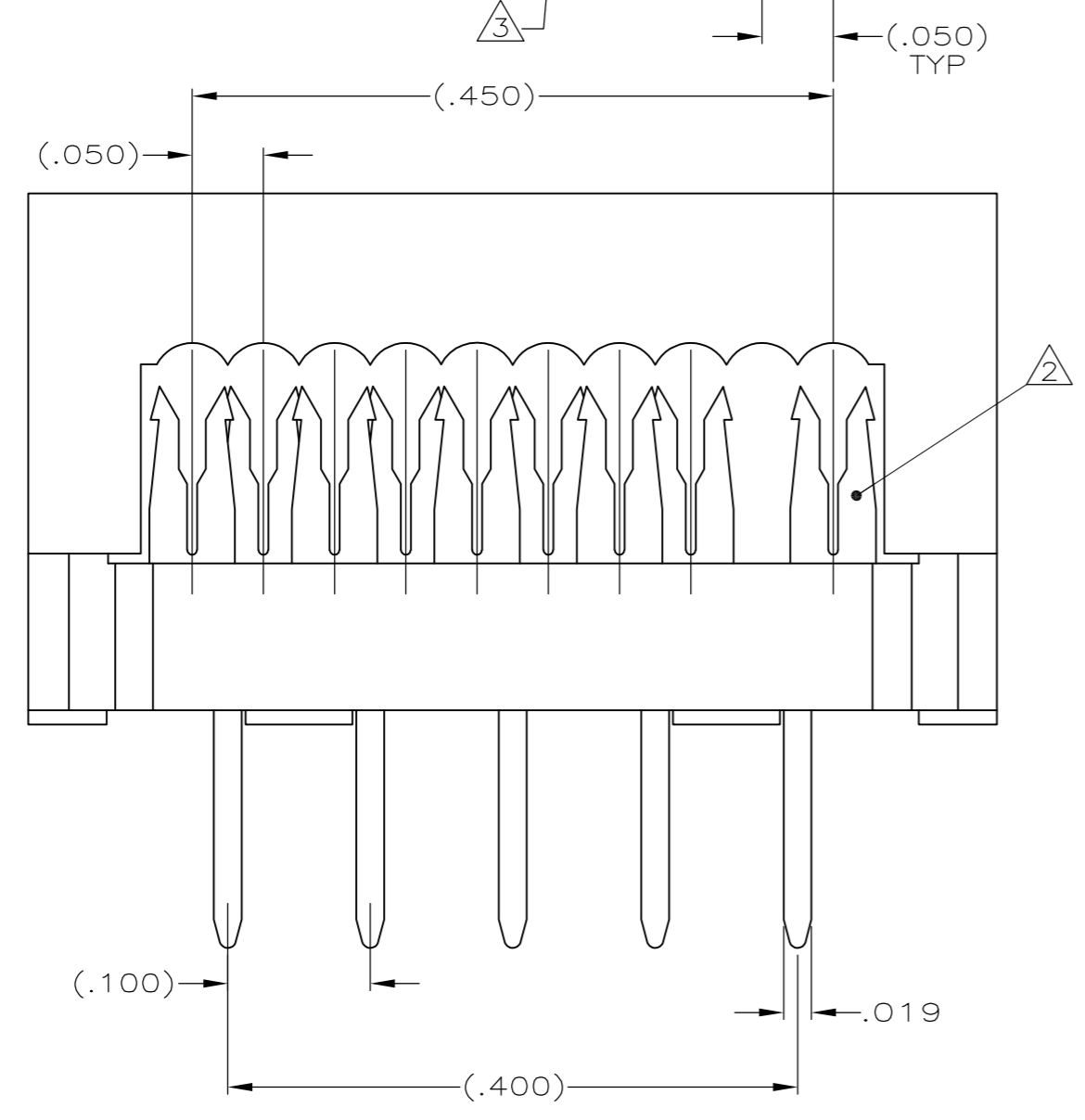
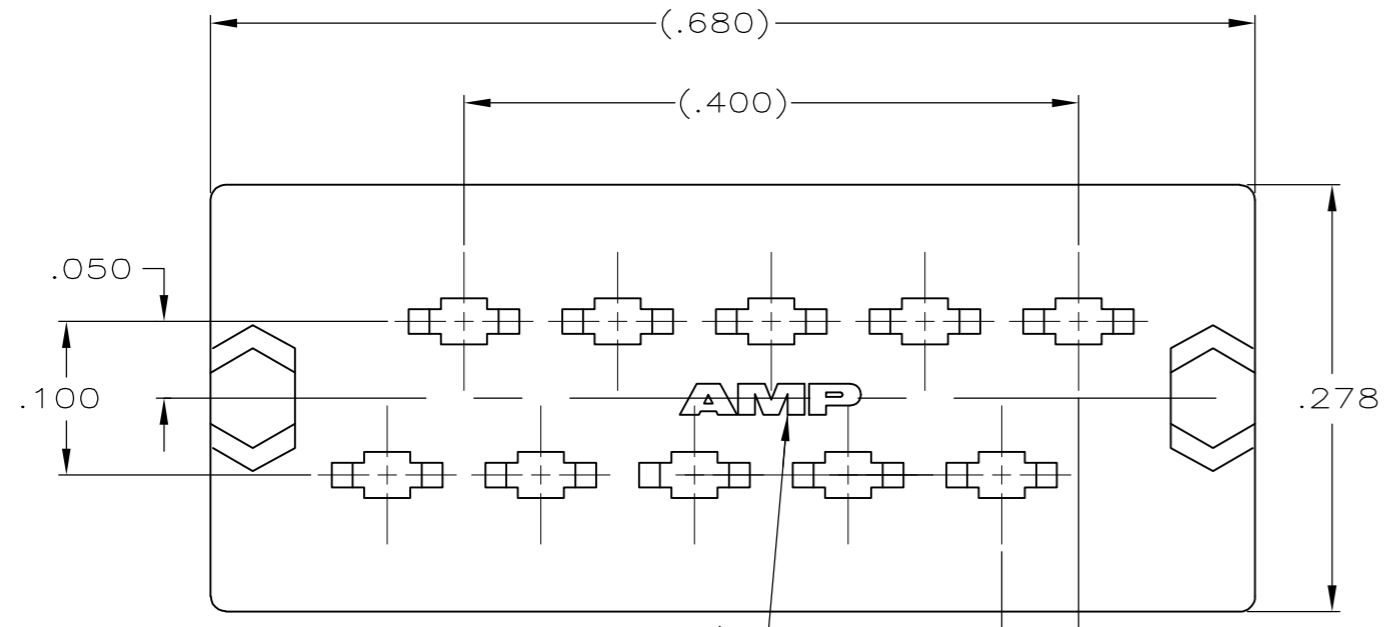
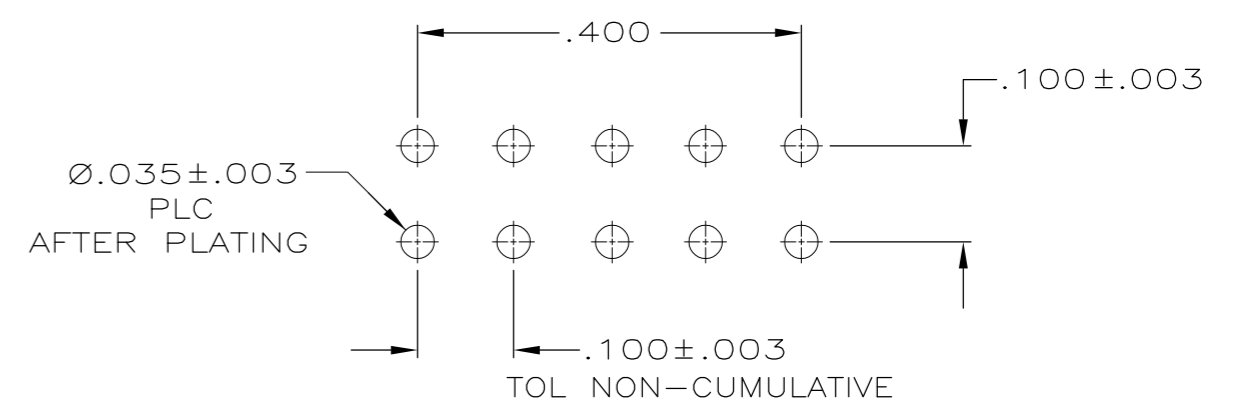


THIS DRAWING IS UNPUBLISHED. RELEASED FOR PUBLICATION
 © COPYRIGHT - By - ALL RIGHTS RESERVED.

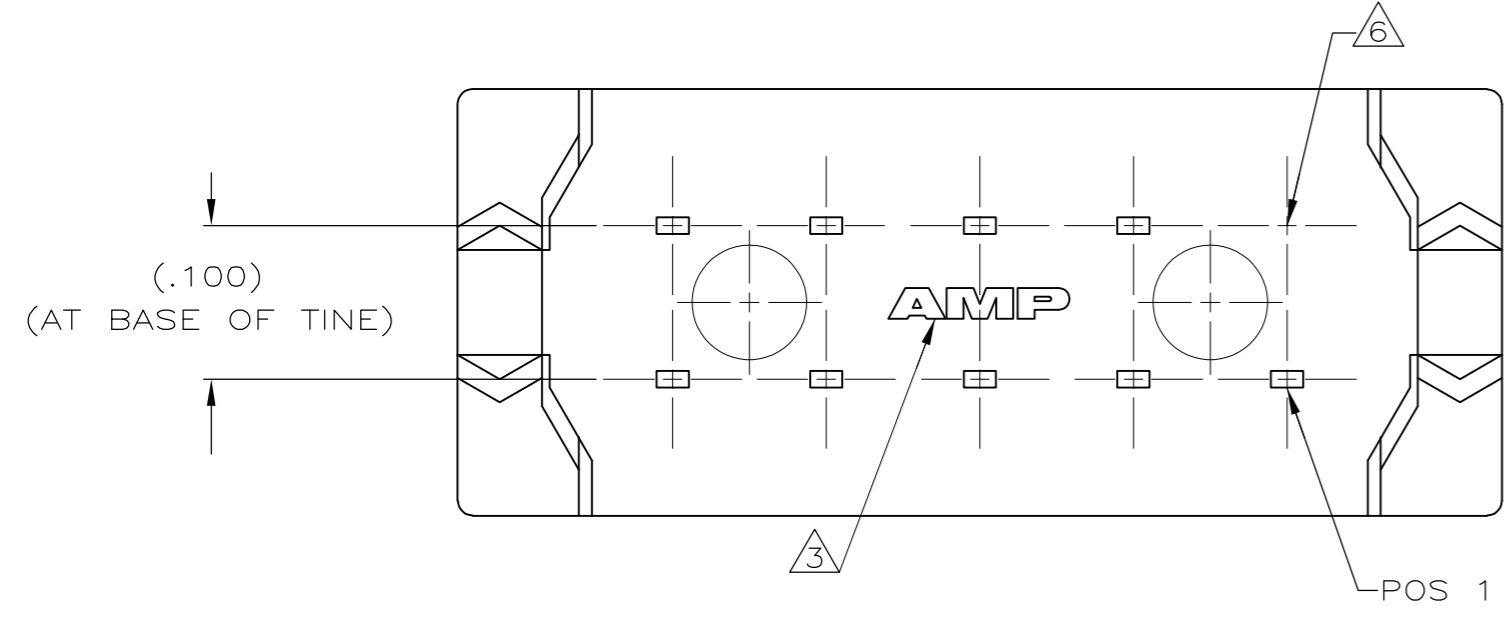
LOC		DIST		REVISIONS			
P	LTR	DESCRIPTION	DATE	DWN	APVD		
B		REVISED PER ECO-13-012013	09AUG2013	CJV	CWR		



- 1 MOLDED PARTS: 94V-0 RATED THERMOPLASTIC, COLOR: BLACK
CONTACTS: PHOS BRONZE
- 2 CONTACTS DESIGNED FOR 26 & 28 AWG STRANDED OR 26, 28 & 30 AWG SOLID WIRE.
- 3 AMP TRADEMARK LOCATED IN APPROX AREA SHOWN; MAY BE INVERTED.
- 4 .000005 MIN GOLD ON RIBBON CABLE TERMINATION AREA
.000100-.000200 MATTE TIN ON SOLDER TAILS, ALL OVER
.000050 MIN NICKEL.
- 5 HEIGHT AFTER TERMINATION IS .253 REF.
- 6 NO CONTACT IN POSITION 2. POSITION 1 IS ON THE SAME END AS THE MISSING CONTACT.
- 7 ONE HOLE CAN BE ELIMINATED AT CUSTOMER'S LOCATION OF PIN 2.



RECOMMENDED HOLE LAYOUT
SCALE 5:1



10	6364555-1
NO OF POSN	PART NUMBER

THIS DRAWING IS A CONTROLLED DOCUMENT.		DWN	11-29-04	G. ATTADIA - DOCK5	
DIMENSIONS: INCHES		CHK	11-29-04	C. ROHDE	
TOLERANCES UNLESS OTHERWISE SPECIFIED:		APVD	11-29-04	M. WALMSLEY	
0 PLC ± -		PRODUCT SPEC	108-1538		
1 PLC ± -		APPLICATION SPEC	114-40005		
2 PLC ± -		WEIGHT	-		
3 PLC ± .005		SIZE	A2	CAGE CODE	00779
4 PLC ± -		DRAWING NO	C=6364555		
ANGLES ± -		RESTRICTED TO	-		
FINISH		SCALE	8:1		
MATERIAL		SHEET	1 of 1		
CUSTOMER DRAWING		REV	B		

6364555