

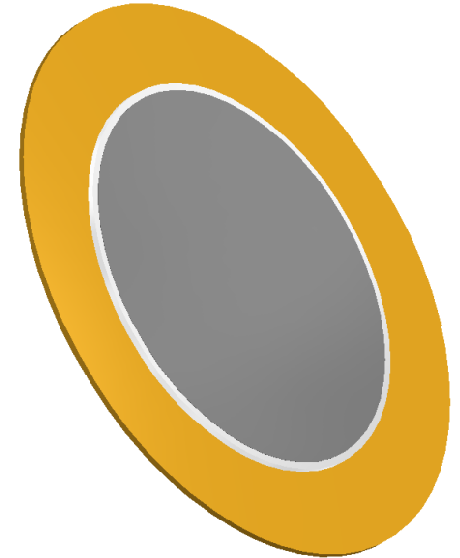
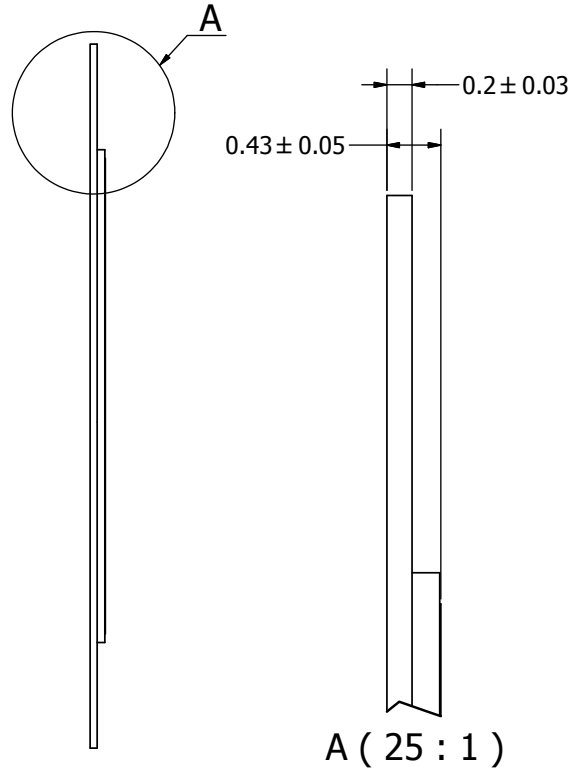
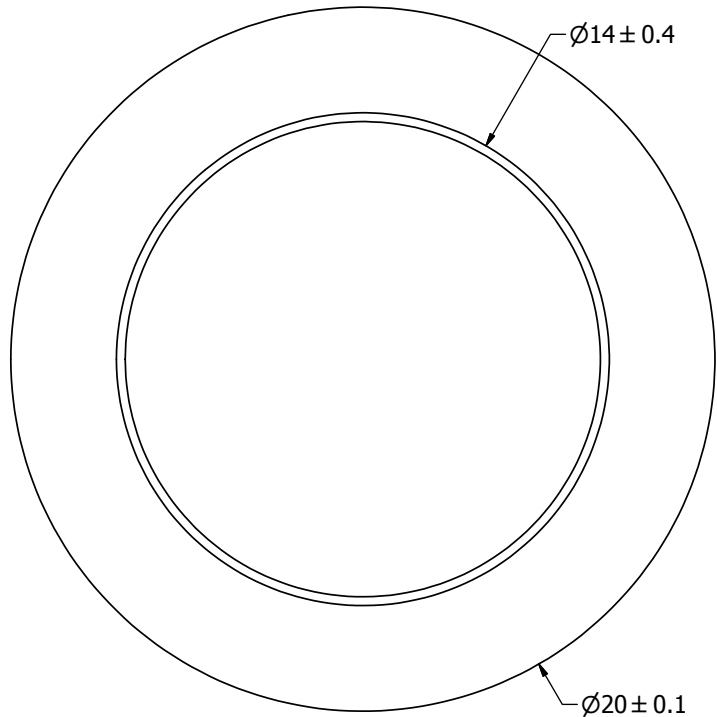
# SPECIFICATIONS

PARAMETERS	VALUES	UNITS
RESONANT FREQUENCY	7,200 ± 300	Hz
RESONANT IMPEDANCE (MAX)	300	Ohm
MAX INPUT VOLTAGE	30	Vp-p
CAPACITANCE @ 1KHZ	10,000 ± 30%	pF
PLATE MATERIAL	STAINLESS STEEL	-
OPERATING TEMPERATURE	-20 ~ +60	°C
STORAGE TEMPERATURE	-20 ~ +70	°C

THIS DOCUMENT CONTAINS DATA PROPRIETARY TO PROJECTS UNLIMITED, INC. ANY USE OR REPRODUCTION, IN ANY FORM, WITHOUT PRIOR WRITTEN PERMISSION OF PROJECTS UNLIMITED, INC. IS PROHIBITED.  
©2003, Projects Unlimited Inc.

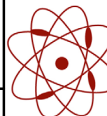
# REVISION HISTORY

LTR	DESCRIPTION	DATE	APPROVED
-	RELEASED FROM ENGINEERING	11/6/2001	
A	REVISED TO NEW TEMPLATE	9/16/2003	R.W.
B	REVISED SPECIFICATIONS	1/12/2004	R.W.
C	REVISED PLATE MATERIAL	6/15/2005	B.R.
D	REVISED DIMENSION SIZE AND SYLE	1/19/2006	B.R.
E	REVISED CERAMIC DIMENSION	9/24/2007	R.W.
F	REVISED TO INVENTOR 3-D DRAWING TEMPLATE	10/16/2007	B.R.



## NOTES:

- ALL DIMENSIONS ARE IN MILLIMETERS.
- SPECIFICATIONS SUBJECT TO CHANGE OR WITHDRAWL WITHOUT NOTICE.

UNLESS OTHERWISE SPECIFIED: DIMENSIONS ARE IN MILLIMETERS, TOLERANCES ARE $\pm 0.5$ AND ANGLES ARE $\pm 3^\circ$ .	SIZE	Designed by	Date	Checked by	Date	Approved by	Date	Drawn Date	
	A3	RABL	11/6/2001			S.J.	11/7/2001	10/16/2007	
AB2072S.idw	 <b>pui audio</b> a projects unlimited company		<b>AB2072S</b>			<b>Bender</b>		Edition -	Sheet 1 / 1