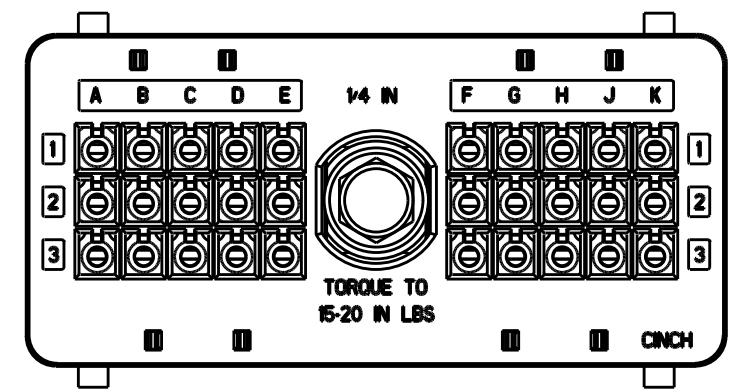
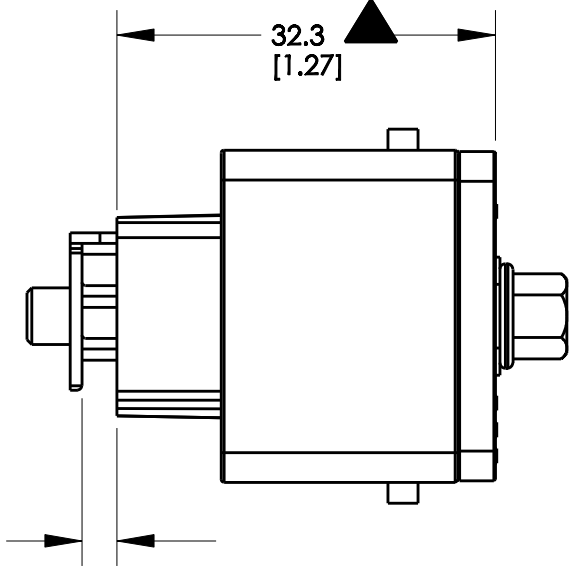
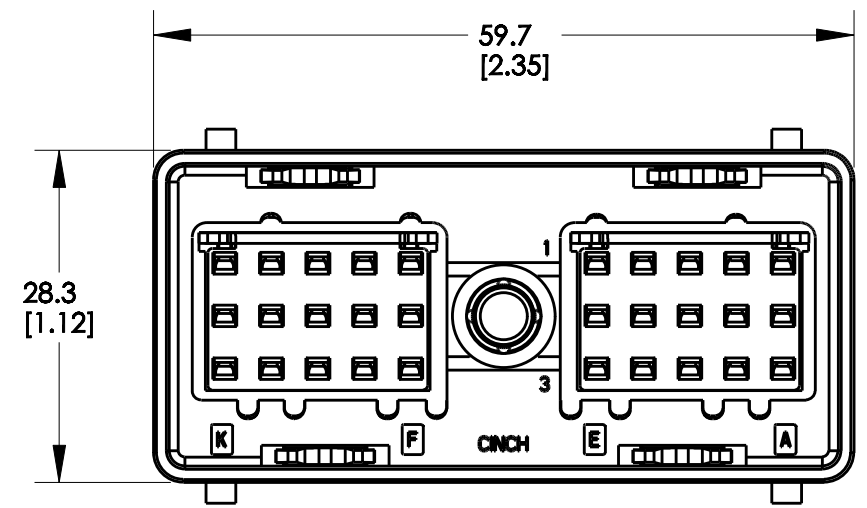


| DRAWING REVISIONS<br>(RELEASE DATE ON FILE) |              |      |               |
|---|--------------|------|---------------|
| REV   | DOCUMENT     | APP  | APPROVAL DATE |
| E   | PER CO # 851 | V.R. | 02/09/10      |



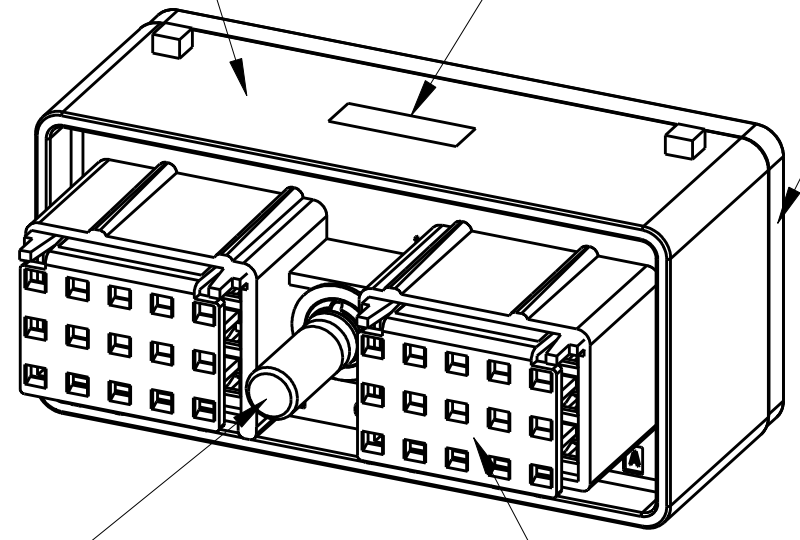
**REAR VIEW**

2.6 REF  
[.10]  
SECONDARY LOCK SHIPPED  
IN PRE-STAGED POSITION

INSULATOR COLOR: WHITE  
(POLYIMIDE BASED  
ALLOY GLASS-FILLED)

DATE CODE

BACK PLATE  
COLOR: NATURAL (WHITE)  
(GLASS-FILLED POLYESTER)



JACKSCREW, STEEL  
10-24 UNC THREAD  
(YELLOW TRIVALENT CHROMATE)

SECONDARY LOCK  
COLOR: WHITE  
(GLASS-FILLED POLYESTER)

**NOTES:**

1. ALL DIMENSIONS ARE IN MILLIMETERS. DIMENSIONS IN [ ] ARE IN INCHES.
2. FOR WIRE SIZE APPLICATION, CONSULT FACTORY.
3. FEMALE TERMINAL ORDERED SEPARATELY: 425 00 00 873/872.
4. MATES WITH CINCH HEADER CONNECTOR (CONSULT FACTORY).
5. SEAL PLUG ORDERED SEPARATELY: 581 00 00 011.
6. TOLERANCES UNLESS OTHERWISE SPECIFIED:  
.X ±0.5  
.XX ±0.25
7. SEALING RANGE FOR WIRE INSULATION DIA.:  
MAX 2.64MM (.104"), MIN 1.96MM (.077").
8. A TRIANGLE "▲" INDICATES CRITICAL FUNCTION DIMENSION.}
9. IF TIE-WRAP DRESSING CONDUCTORS, CINCH RECOMMENDS A SPACING }  
OF NO LESS THAN 2 INCHES BEHIND THE BACK PLATE.

|  |  |   |  |                                     |  |                                |  |
|--|--|---|--|-------------------------------------|--|--------------------------------|--|
| UNITS<br><b>METRIC</b>   |  | DESIGN ENGINEER<br><b>PRO/E</b><br>A. CAINES                      |  | DATE<br>05/03/01                    |  | MODELED BY:<br>J. DRYE         |  |
| DO NOT SCALE DRAWING<br><small>UNLESS OTHERWISE SPECIFIED:<br/>ALL DIMENSIONS ARE IN mm</small>  |  | TITLE<br><b>CINCH</b><br>CONNECTOR ASSEMBLY<br>SOCKET 30 POSITION |  | 1700 FINLEY RD<br>LOMBARD, IL 60148 |  | CONTROL SPEC NUMBER<br>POLAR D |  |
| CONFIDENTIAL<br><small>THIS DOCUMENT IS THE PROPERTY OF CINCH.<br/>NEITHER THIS DOCUMENT NOR ANY OF<br/>THE INFORMATION CONTAINED IN IT MAY<br/>BE DUPLICATED OR DISCLOSED WITHOUT<br/>PRIOR WRITTEN CONSENT OF CINCH.<br/>©COPYRIGHT 2010 CINCH</small> |  | APPROVALS<br>ON FILE  |  | MATERIAL<br>SEE VIEW                |  | PROJECT NUMBER<br>A14243       |  |
| CAGE IDENT NO.<br>71785  |  | SIZE<br>B   |  | DRAWING NUMBER<br>5810130030S       |  | SCALE<br>1.500                 |  |
|  |  |   |  | SHEET 1 OF 1                        |  |                                |  |