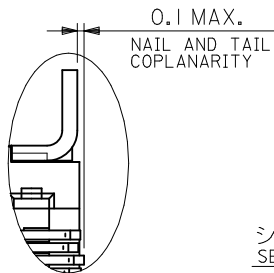
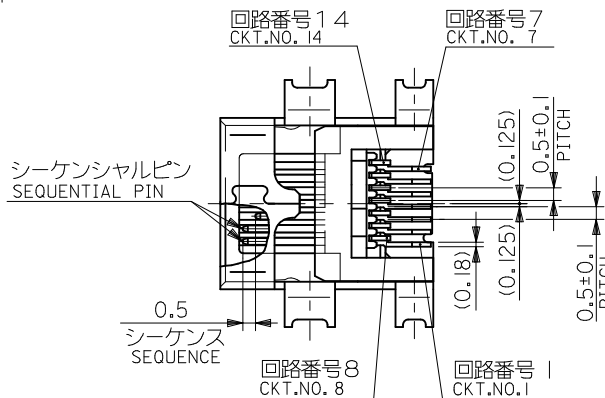


SECTION A-A



DETAIL B
SCALE: 10-1

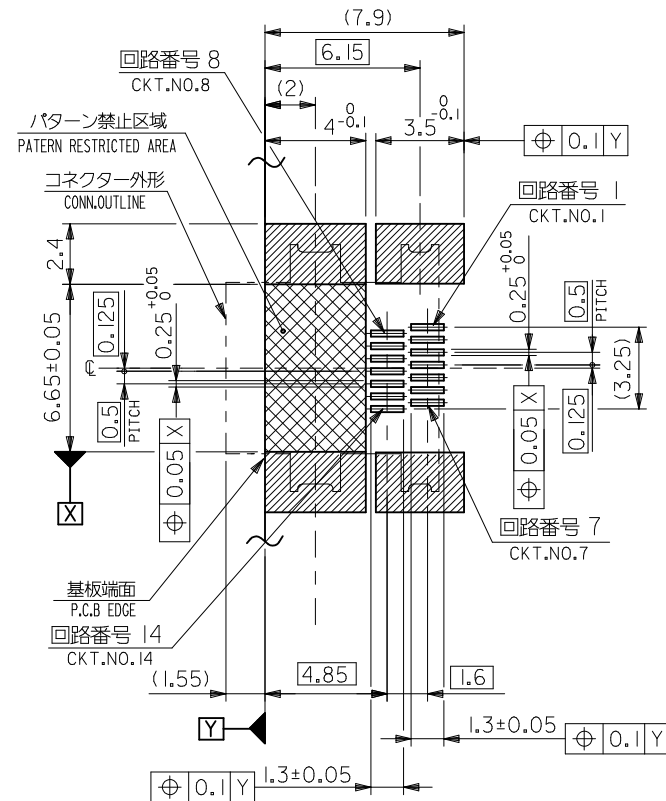
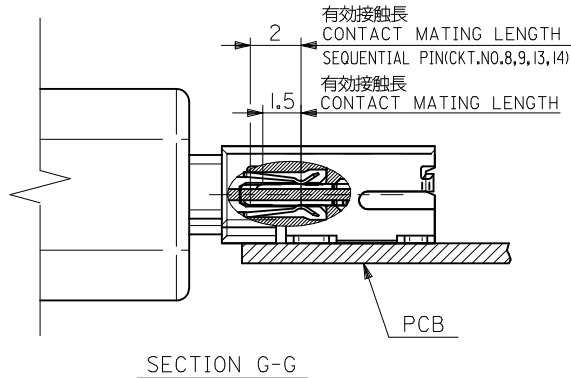
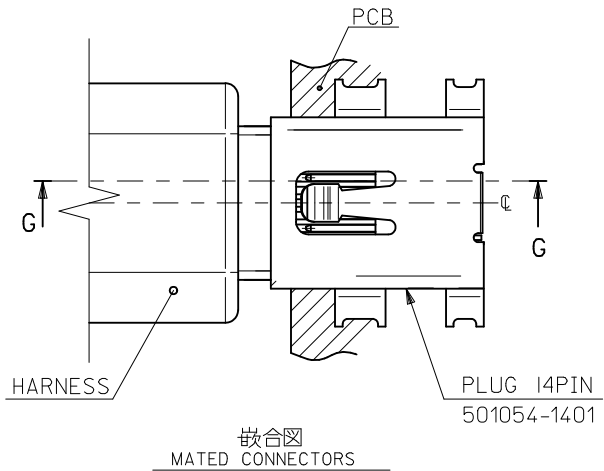


NOTE:

- 適合リセ番号: 500887-14*9 / 59205-497*
(S/T REC.) (HARNESS)
APPLICABLE REC. NO.:
- 材質
MATERIAL
 - ハウジング: ガラス入り耐熱樹脂
94V-0, 黒色
HOUSING: G.F. HEAT RESISTANT PLASTIC
94V-0, BLACK COLOR
 - ターミナル: 銅合金
TERMINAL COPPER ALLOY
 - プラグ シールド: ステンレス鋼
PLUG SHIELD STAINLESS STEEL
- メッキ仕様
PLATING
 - ターミナル
TERMINAL
 1. 接点部 : 金メッキ 0.1umMIN.
CONTACT AREA GOLD
 2. : パラジウムニッケルメッキ 0.2umMIN.
PALLADIUM-NICKEL
 3. 1. 半田付け部 錫メッキ 1.0um MIN.
SOLDER TAIL AREA TIN
 3. 2. 下地メッキ : ニッケルメッキ 1.5 ~ 3um
UNDER-PLATING NICKEL
 - プラグ シールド
PLUG SHIELD
 - 3-2-1. MS 処理
MS COATING
 - 3-2-2. メッキ : ニッケルメッキ 1.0 ~ 2um
PLATING NICKEL
- 本製品は 55884-1401 の鉛フリー品である。
THIS PRODUCT IS LEAD FREE OF 55884-1401.

501054-1401	501054-**01
MATERIAL NO.	MODEL NO.

REVISED EC NO: J2011-1295 DRW: KKADONO CHKD: CHIKANO APPR: MYAGI	DESCRIPTION 2011/04/12 2011/04/12 2011/04/13	GENERAL TOLERANCES (UNLESS SPECIFIED)		DIMENSION STYLE MM ONLY		SCALE 5:1	DESIGN UNITS METRIC	THIRD ANGLE PROJECTION	
		10 UNDER	±0.2	DRAWN BY MNABEI	DATE '04/08/04	TITLE 0.5 I/O CONN PLUG HSG ASSY 14CKT -LEAD FREE-			
		10 OVER 30 UNDER	±0.25	CHECKED BY KTOJO	DATE '04/08/04	MOLEX INCORPORATED			
		30 OVER	±0.3	APPROVED BY NUKITA	DATE '04/08/04	MATERIAL NO. SEE CHART DOCUMENT NO. SD-501054-003 SHEET NO. 1 OF 2			
ANGULAR ±3 °		DRAFT WHERE APPLICABLE MUST REMAIN WITHIN DIMENSIONS		SIZE A3		THIS DRAWING CONTAINS INFORMATION THAT IS PROPRIETARY TO MOLEX INCORPORATED AND SHOULD NOT BE USED WITHOUT WRITTEN PERMISSION			



14種タイプ基板穴推奨寸法 (部品実装側)
RECOMMENDED P.C.B LAYOUT FOR 14PIN(MOUNTING SIDE)

REVISED EC NO: J2011-1295 DRW:KKADONO 2011/04/12 CHKD:CHIKANO 2011/04/12 APPR:MYAGI 2011/04/13	DESCRIPTION	GENERAL TOLERANCES (UNLESS SPECIFIED)		DIMENSION STYLE MM ONLY		SCALE 5:1	DESIGN UNITS METRIC	THIRD ANGLE PROJECTION	
		10 UNDER	±0.2	DRAWN BY MNABEI	DATE '04/08/04	TITLE 0.5 I/O CONN PLUG HSG ASSY 14CKT -LEAD FREE-			
		10 OVER 30 UNDER	±0.25	CHECKED BY KTOJO	DATE '04/08/04	MOLEX INCORPORATED			
		30 OVER	±0.3	APPROVED BY NUKITA	DATE '04/08/04	MATERIAL NO. SEE CHART DOCUMENT NO. SD-501054-003 SHEET NO. 2 OF 2			
REV	DESCRIPTION	ANGULAR ±3 ° DRAFT WHERE APPLICABLE MUST REMAIN WITHIN DIMENSIONS		SIZE A3		THIS DRAWING CONTAINS INFORMATION THAT IS PROPRIETARY TO MOLEX INCORPORATED AND SHOULD NOT BE USED WITHOUT WRITTEN PERMISSION			

10 9 8 7 6 5 4 3 2 1

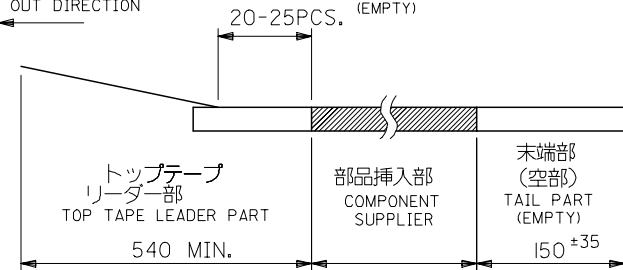
注記
NOTES

1. 製品番号 501054-1401 の寸法詳細は SD-501054-003 参照
IN THE PACKAGE PART NO. 501054-1401 DETAILED DIMENSION, SEE SD-501054-003.

2. 梱包数量: 800 個/リール
NUMBER OF CONNECTORS: 800 PCS/REEL

3. リードテープ長さ
LEAD TAPE LENGTH
引き出し方向
PULL OUT DIRECTION

トップテープ接着部
TOP TAPE BONDED PART
(空エンボス)
(EMPTY)

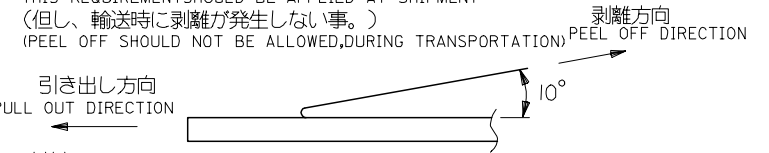


4. トップテープの剥離強度: 0.1~1.3N (10~130gf)
(剥離方向は下図参照)

キャリアテープ幅: 2.4mm
CARRIER TAPE WIDTH

PEEL-OFF FORCE OF TOP TAPE: 0.1~1.3N (10~130gf)
(PEELING DIRECTION AS SHOWN IN FOLLOWING FIG.)

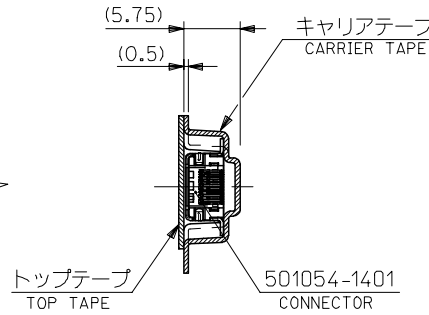
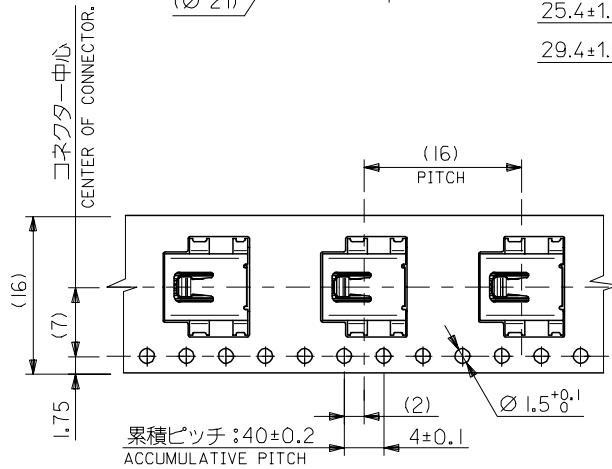
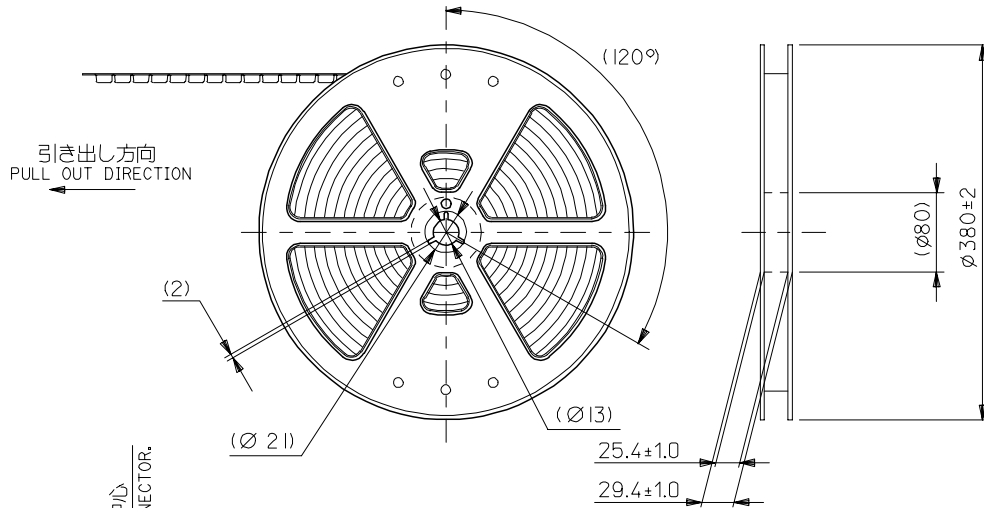
尚、本規格値は、出荷時に適用。
THIS REQUIREMENTS SHOULD BE APPLIED AT SHIPMENT
(但し、輸送時に剥離が発生しない事。)



5. 材料

MATERIAL
キャリアテープ: ポリプロピレン
CARRIER TAPE: POLYPROPYLENE
トップテープ: ポリエステル, ポリエチレン
TOP TAPE: POLYESTER, POLYETHYLENE
リール: ポリスチレン
REEL: POLYSTYRENE

4. 本製品は 55884-1490 の鉛フリー品である。
THIS PRODUCT IS LEAD FREE OF 55884-1490.



引き出し方向
PULL OUT DIRECTION

14	501054-1401	501054-1470
CKT.	CONNECTOR	MATERIAL NO.
DESIGN UNITS METRIC		THIRD ANGLE PROJECTION

RELEASED EC NO: J2005-0387 DRAWN: MNABE CHKD: KTOJO APPR: NUKITA 2004/09/17 2004/09/17 2004/09/29	GENERAL TOLERANCES (UNLESS SPECIFIED)		DIMENSION STYLE MM ONLY		SCALE ---	DESIGN UNITS METRIC	THIRD ANGLE PROJECTION
	10 UNDER	±0.2	DRAWN BY MNABE1	DATE '04/08/04	TITLE EMBOSSD TAPE PACKAGE FOR 501054-1401 -LEAD FREE-		
	10 OVER 30 UNDER	±0.25	CHECKED BY KTOJO	DATE '04/08/04	MOLEX INCORPORATED		
	30 OVER	±0.3	APPROVED BY NUKITA	DATE '04/08/04	DOCUMENT NO. SD-501054-004		
0	ANGULAR ±3 °	DRAFT WHERE APPLICABLE MUST REMAIN WITHIN DIMENSIONS		MATERIAL NO. SEE CHART	SHEET NO. 1 OF 1		
SIZE A3 THIS DRAWING CONTAINS INFORMATION THAT IS PROPRIETARY TO MOLEX INCORPORATED AND SHOULD NOT BE USED WITHOUT WRITTEN PERMISSION							