

4

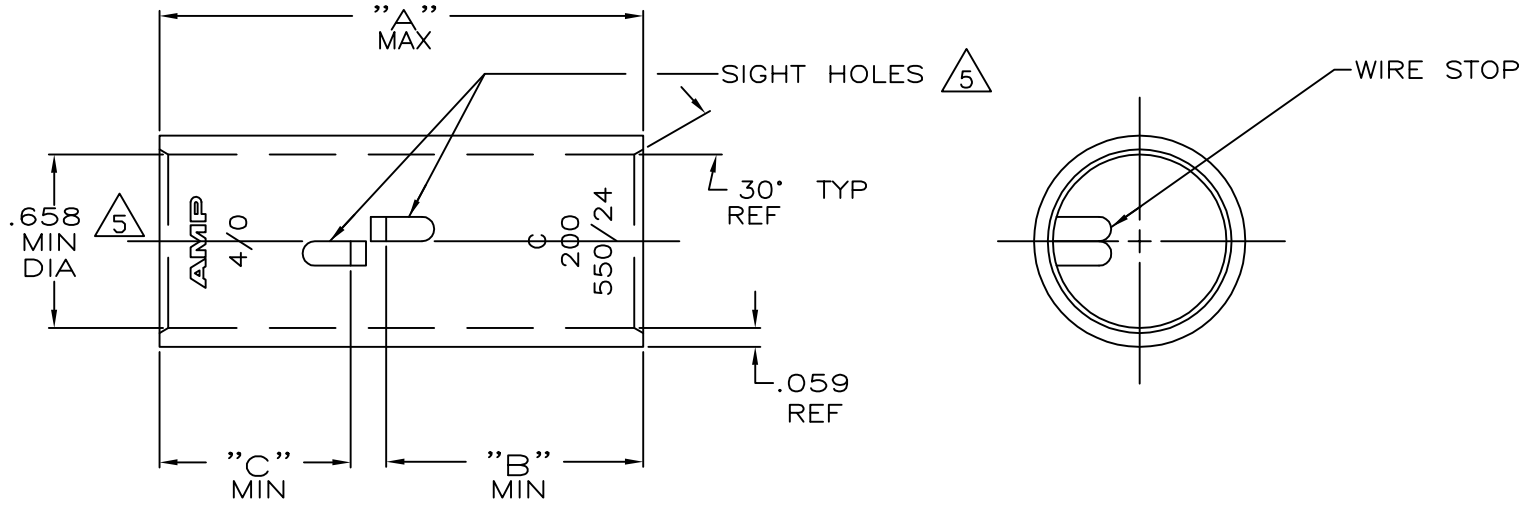
3

2

1

THIS DRAWING IS UNPUBLISHED. RELEASED FOR PUBLICATION  
© COPYRIGHT - By - ALL RIGHTS RESERVED.

LOC	DIST	REVISIONS		
G	86	P	LTR	DESCRIPTION
		R		ECR-13-000998
			DATE	DWN
			09FEB2013	PK
				APVD
				HS



- 1 TIN PL .000150 MIN THK PER ASTM B 545
- 2 PART NO: 324461; .071 LB.  
PART NO: 1-324461-0; .071 LB.  
PART NO: 2-324461-2; .082 LB.  
PART NO: 2-324461-3; .082 LB.
- 3 CLEANED, UNPLATED
- 4 PRELIMINARY - NOT FOR PRODUCTION  
.045 MAX BURR ALLOWED INSIDE THE WIRE BARREL ID IN AREA OF SIGHT HOLE.
- 5

.72	.97	1.89	190,000-	△	COPPER	2-324461-3
			231,000			△
.72	.72	1.65	CM	△	ANNEALED	△ 1-324461-0
				△		324461
"C"	"B"	"A"	WIRE RANGE	FINISH	MATERIAL	PART No

THIS DRAWING IS A CONTROLLED DOCUMENT.

DWN	DK SCHRUM	4/24/89	<b>TE</b> TE Connectivity
CHK	MS FEHER	4/24/89	
APVD	WJ VOCKROTH	11/8/89	NAME
PRODUCT SPEC			SPLICE, BUTT, AMPPOWER
APPLICATION SPEC			WIRE SIZE: 4/0 AWG
WEIGHT			SIZE
			CAGE CODE
			DRAWING NO
			RESTRICTED TO
			A3 00779 C=324461
CUSTOMER DRAWING	SCALE	2:1	SHEET
			1 OF 1
			REV
			R