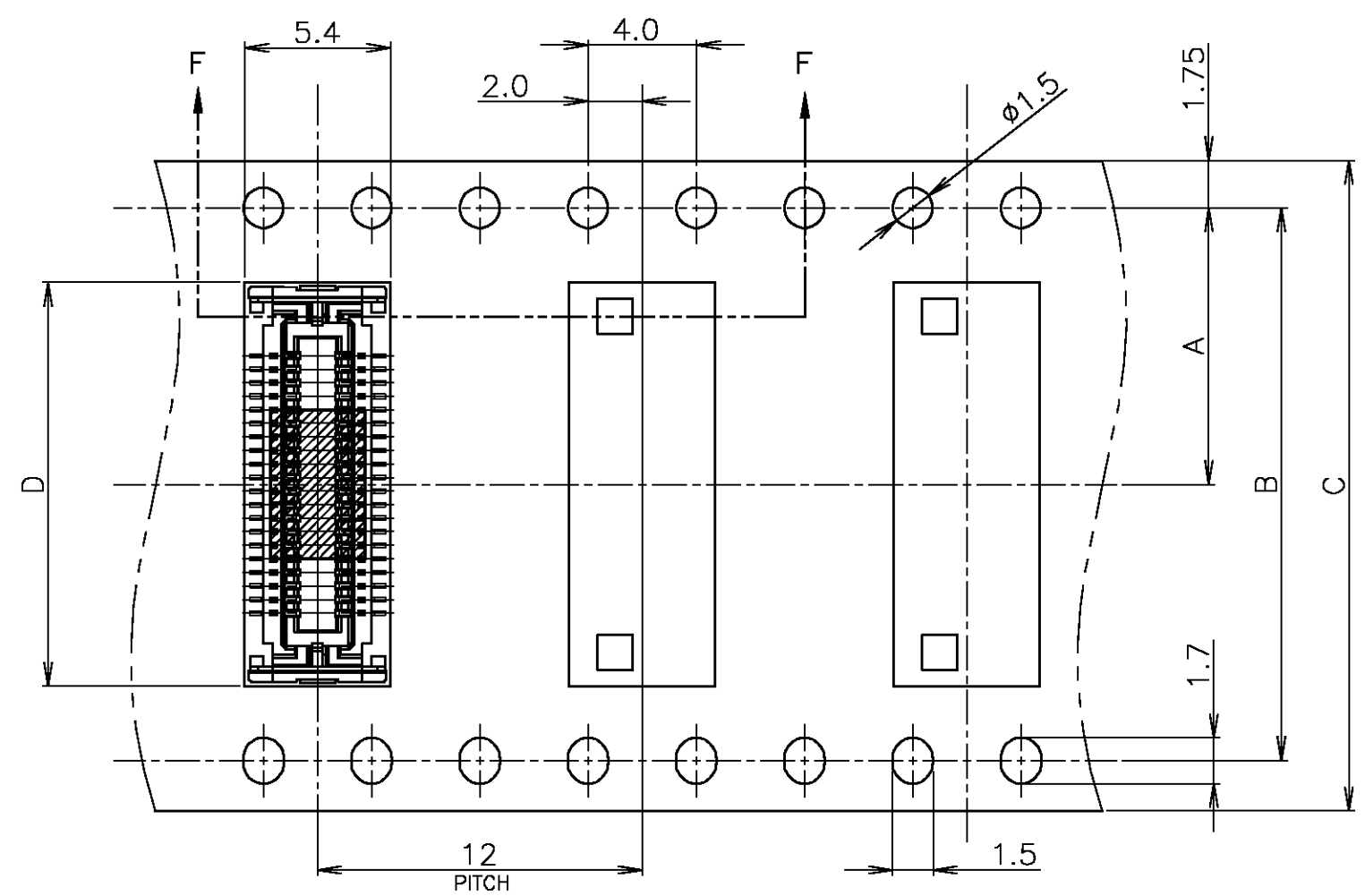


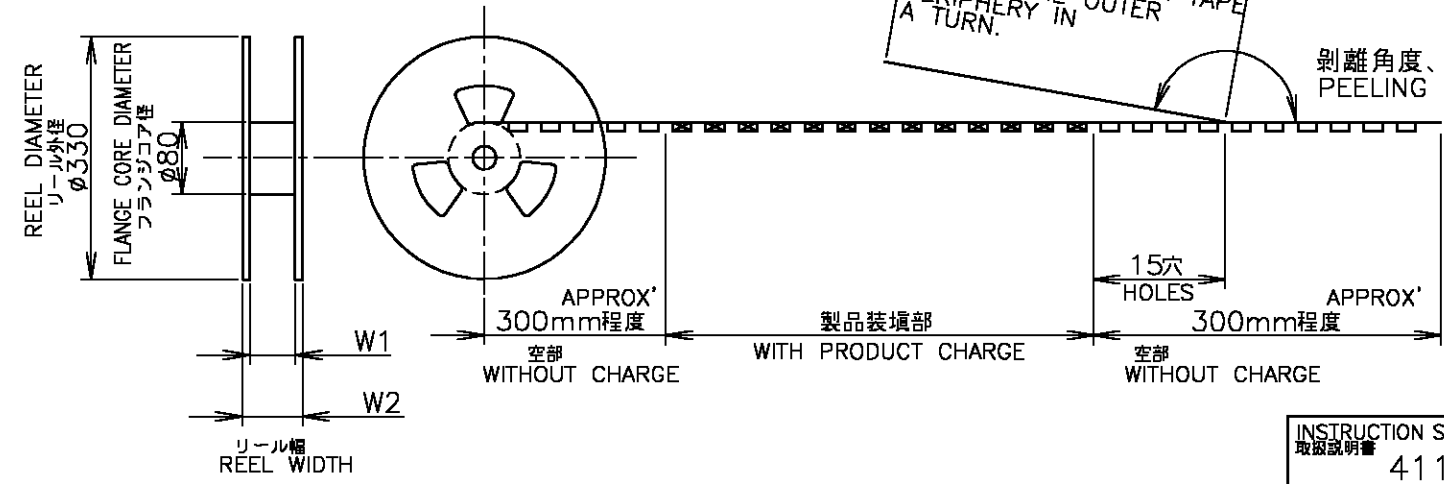
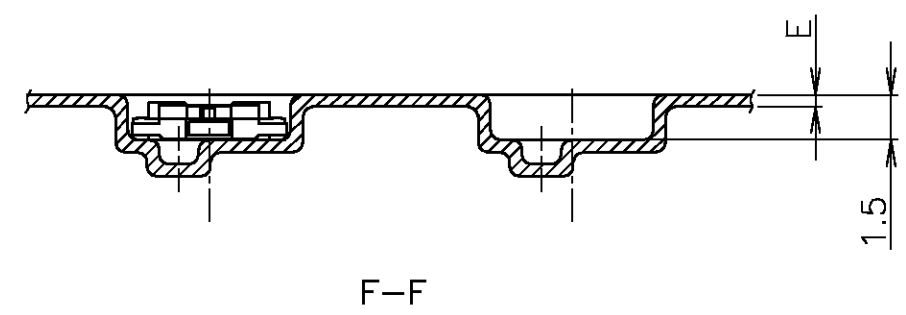
THIS DRAWING IS UNPUBLISHED. RELEASED FOR PUBLICATION JUN, 1996.
 © COPYRIGHT 1996 BY TYCO ELECTRONICS CORPORATION. ALL RIGHTS RESERVED.

LOC	DIST	REVISIONS			DATE	DWN	APVD
		P	LTR	DESCRIPTION			
J		D	REVISED	FJB0-0324-03	30MAY03	H.H.T.K	



テープ幅
TAPE WIDTH

引出し方向
TOP OF REEL →



カバーテープ
リーダー部
外周巻
WEEDING THE COVER TAPE
AROUND THE OUTER
PERIPHERY IN
A TURN.
剥離角度、165°~180°
PEELING ANGLE.

鉛フリー
LEAD FREE

48.7	45.5	0.4	24.9	44	40.4	20.2	1500	80	8-353158-0	8-353159-0
48.7	45.5	0.4	22.4	44	40.4	20.2	1500	70	7-353158-5	7-353159-5
48.7	45.5	0.4	22.4	44	40.4	20.2	1500	70	7-353158-0	7-353159-0

INSTRUCTION SHEET 取説説明書 411-5781

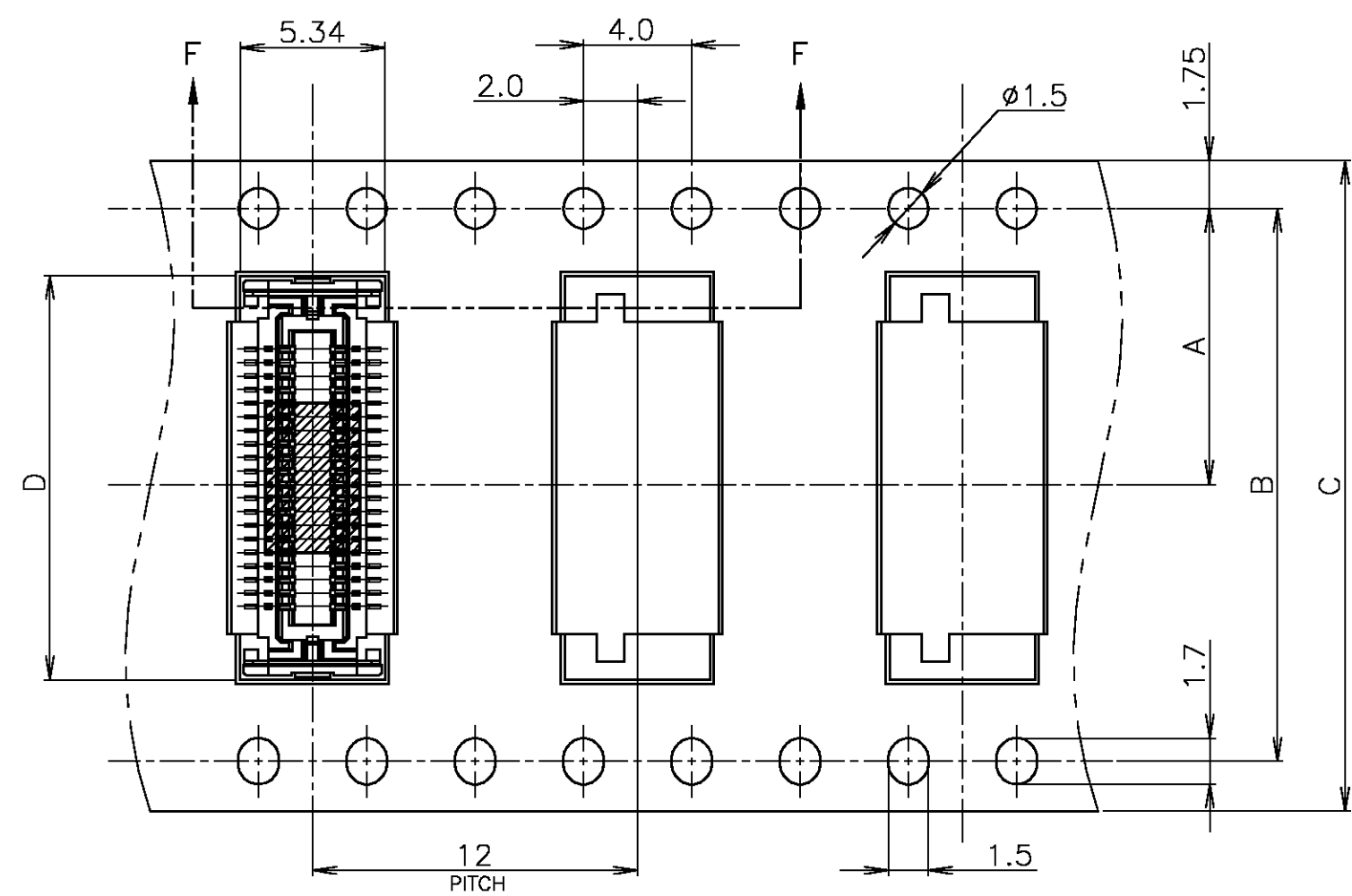
THIS DRAWING IS A CONTROLLED DOCUMENT.

DIMENSIONS: 単位: 筈 MM	TOLERANCES UNLESS OTHERWISE SPECIFIED: 一般公差	DWN S.KAJINUMA 05JUN96	tyco Electronics Tyco Electronics AMP K.K. Kawasaki, Japan
0 PLC ± 0.2	1 PLC ± 0.2	CHK K.ASAKAWA 20AUG96	
2 PLC ± 0.2	3 PLC ± 0.2	APVD S.KUBOUCHI 20APR98	NAME 名称 ON TAPING (EMBOSS)
4 PLC ± 0.2	ANGLES ± 3'	PRODUCT SPEC 製品規格 108-5546	0.5mm PITCH FS CONN.
MATERIAL 材料	FINISH 仕上	APPLICATION SPEC 取付適用規格	RECEPTACLE ASSEMBLY WITH FILM
WEIGHT		SIZE A3	CAGE CODE 00779
		DRAWING NO. C-353159	RESTRICTED TO

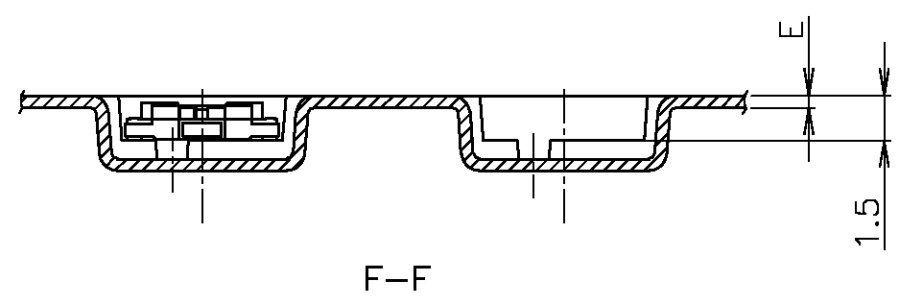
CUSTOMER DRAWING SCALE 尺度 4:1 SHEET 1 OF 2 REV D

THIS DRAWING IS UNPUBLISHED. RELEASED FOR PUBLICATION JUN, 1996.
 © COPYRIGHT 1996 BY TYCO ELECTRONICS CORPORATION. ALL RIGHTS RESERVED.

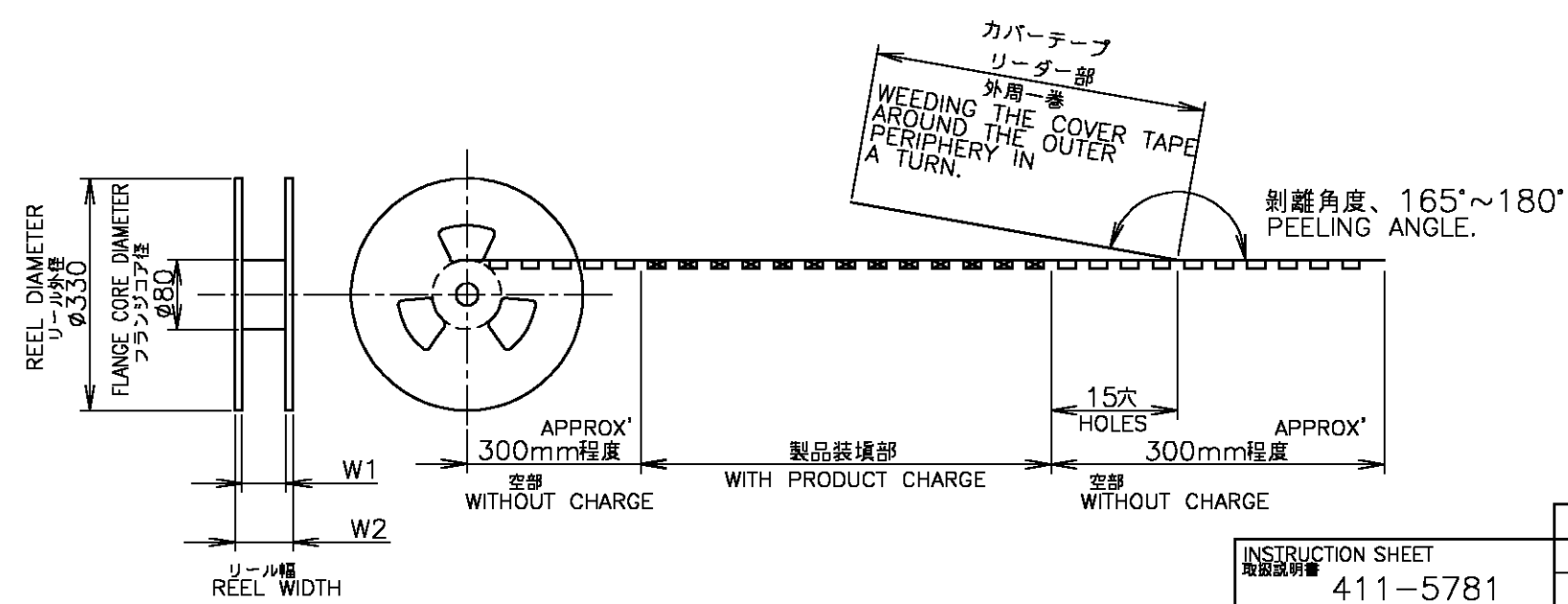
LOC	DIST	REVISIONS			
J		P	LTR	DESCRIPTION	DATE
				SEE SHEET 1 OF 2	



テープ幅
TAPE WIDTH



引出し方向
TOP OF REEL →



鉛フリー
LEAD FREE

37.5	33.5	0.4	19.85	32	28.4	14.2	1500	60	6-353158-0	6-353159-0
W2	W1	E	D	C	B	A	数量 (ヶ) QTY/REEL	極数 POS	コネクタ型番 (バラ状) CONNECTOR P/N (L/P)	リール巻コネクタ型番 TAPING P/N

INSTRUCTION SHEET 取説説明書 411-5781

THIS DRAWING IS A CONTROLLED DOCUMENT.

DWN S.KAJINUMA 20APR98	Tyco Electronics AMP K.K. Kawasaki, Japan
CHK K.ASAKAWA 20APR98	
APVD S.KUBOUCHI 20APR98	

NAME 名称: ON TAPING (EMBOSS)
0.5mm PITCH FS CONN.
RECEPTACLE ASSEMBLY WITH FILM

SIZE A3	CAGE CODE 00779	DRAWING NO. C-353159	RESTRICTED TO
---------	-----------------	----------------------	---------------

CUSTOMER DRAWING

SCALE 尺度 4:1	SHEET 2 OF 2	REV D
--------------	--------------	-------