

金龙机电股份有限公司
JINLONG MACHINERY & ELECTRONIC CO., LTD.
 www.jinlong-machinery.com
 sales@jinlong-machinery.com

规格书

SPECIFICATION

客户信息/ Customer Information	客户名称/Customer		
	客户料号/Part No.		
	客户承认签章 Customer Approved Signatures		
文件编号/Spec No.	KOTL-B-257		
品名/Description	圆柱直流马达/Cylindrical DC motor		
型号/Part No.	Z6DCBB0056091		
设计/Designed	审核/Checked	批准/Approved	
			
2011.11.15	2011.11.15	2011.11.15	

规格书内容/Contents

1、适用范围/ General Scope	3/9
2、使用条件/ Operating Conditions	3/9
3、测定条件/ Measuring Conditions	3/9
4、机械要求/ Mechanical Specifications	3/9
5、性能特征/Performance and characteristics	4/9
6、可靠性/Reliability	5/9
7、要求/Requirements	6/9
8、使用时注意事项/ attentions	6/9
9、包装/Packaging	7/9
10、外形图/Outline Drawing	8/9
11、修改记录 / REVISION HISTORY	9/9

型号/ Part No.	Z6DCBB0056091
--------------	---------------

1. 适用范围/ General Scope
 本说明书适用于圆筒式永磁直流电机 Z6DCBB0056091 型
 This specification applies to cylindrical permanent-magnetic motors DC model
 Z6DCBB0056091

2. 使用条件/ Operating Conditions

项目/Item	规格/Specifications	条件·备注/Conditions & Remarks
2-1 额定电压 Rated voltage	3.0V DC	
2-2 额定负荷 Rated load	振子 Counterweight	见 10. 外形图 As specified in 10. Outline Drawing
2-3 旋转方向 Rotation	C.W/C.C.W (clockwise or counter clockwise)	
2-4 马达位置 Motor position	全方位 All position	
2-5 使用电压范围 Operating voltage	2.2~3.6V DC	
2-6 使用环境 Operating environment	-30 ~ 70℃, 常湿 /Ordinary Humidity:65±20%RH	无水气凝结 No condensation of moisture
2-7 保存环境 Storage environment	-40 ~ 80℃, 常湿 /Ordinary Humidity:65±20%RH	无水气凝结 No condensation of moisture

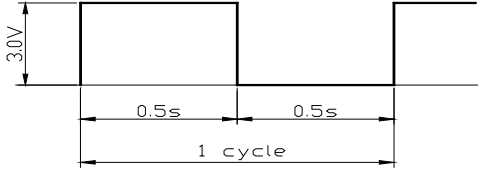
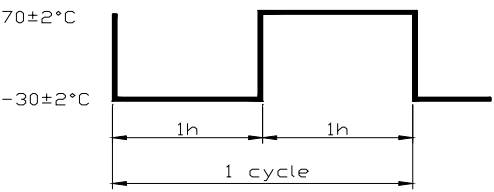
3. 测定条件/ Measuring Conditions

项目/Item	规格/Specifications	条件·备注/Conditions & Remarks
3-1 温度 Temperature	20±2℃	
3-2 湿度 Humidity	(63%~67%) RH	
3-3 位置 Motor position	轴向水平 Motor shaft horizontal	将马达固定在试验台上 Lock the motor in a test fixture

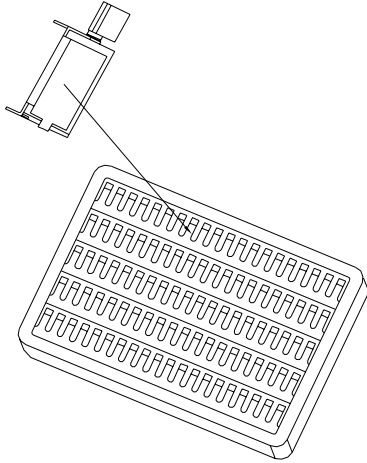
标准测试条件为温度 20℃, 湿度 65%。如无疑异, 也可在温度 5~35℃、湿度 45~85% 的条件下测试。马达测试时, 放置方向为轴向水平。/The measurement at 20℃ & 65%RH is standard. If the judgment is not questionable, recognize measurement at 5℃ to 35℃ & relative humidity 45% to 85%. Direction of motor is shaft horizontal.

4. 机械要求/ Mechanical Specifications

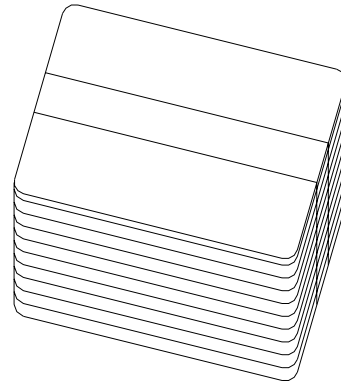
项目/Item	规格/Specifications	条件·备注/Conditions & Remarks
4-1 结构 Configuration	见 10. 外形图 As specified in 10. Outline Drawing	Outline drawing No: Z6DCBB0056091
4-2 外观 Appearance	不含有机机械损坏及不适当的浸蚀等。 There shall be no evidence of mechanical damage and shall not have inadequate corrosion and so on	目测 (容许范围根据样品外形) Visual examination(allowable extent is based on boundary sample)
4-3 轴向间隙 Shaft end play	0.1mm~0.3mm	
4-4 振子固定力 Holding strength of vibration weight	49N (5kgf) Min	

2011.11.15		说明书/Specification		编号/No KOTL-B-257		代码/code:0		5/9	
6. 可靠性/Reliability									
项目/Item		规格/Specification						判定标准/Judgment	
6-1	寿命 Life time							<p>在常温常湿下放置 2h 后，马达应符合项 7-1 的要求。 After 2 hours exposure in ordinary temperature and humidity, Motors shall be approved as specified in item 7-1.</p>	
		位置 Position	电压 Volt	负荷 Load	温度 Temp	湿度 Humi	寿命 Life		
		轴水平 Horizon	Rated 额定	Weight 振子	20°C	65%	200,000 Cycles		
6-2	低温放置 Low temp exposure	温度 /Temperature: $-40\pm 2^{\circ}\text{C}$ 时间 /Time: 96h						<p>在常温常湿下放置 2h 后，马达应符合项 7-2 的要求。 After 2 hours exposure in ordinary temperature and humidity, Motors shall be approved as specified in item 7-2.</p>	
6-3	高温放置 High temp. Exposure	温度 /Temperature: $60\pm 2^{\circ}\text{C}$ 时间 /Time: 96h							
6-4	湿度放置 Humidity exposure	温度 /Temperature: $40\pm 2^{\circ}\text{C}$ 湿度 /Humidity: 90~95%RH 放置时间 /Exposure time: 96h 无水气凝结/No condensation of moisture							
6-5	振动 Vibration	全振幅 /Displacement : 1.5mm (p-p) 频率 /Frequency: 10 ~ 55Hz 加速度 /Acceleration: 22m/s^2 周期 /Period: 20min 完成 10~55~10Hz /20 Minutes log sweep 10~55~10Hz 方向 /Direction: x, y, z 时间 /Time: 每个方向 2h /Each 2 hours							
6-6	自然跌落 Free fall	试验状态/Test state:将马达固定在约 75 克（包括马达本身）的物体上，落向水泥地面。 Set the motor to the approximately 75g (include the motor) weight of block drop the motor on the concrete floor. 高度 /Height: 1.5m 方向 /Direction: 6 个面 / 6 faces 次数 /Number of times: 每个面 2 次 / Twice 2 each						<p>测试结果应符合项 7-2 的要求。 After the test motors shall be approved as specified in item 7-2.</p>	
6-7	热冲击 Heat shock test	试验循环 /Test cycle :20 cycles 						<p>在常温常湿下放置 2h 后，马达应符合项 7-2 的要求。 After 2 hours exposure in ordinary temperature and humidity, Motors shall be approved as specified in item 7-2.</p>	

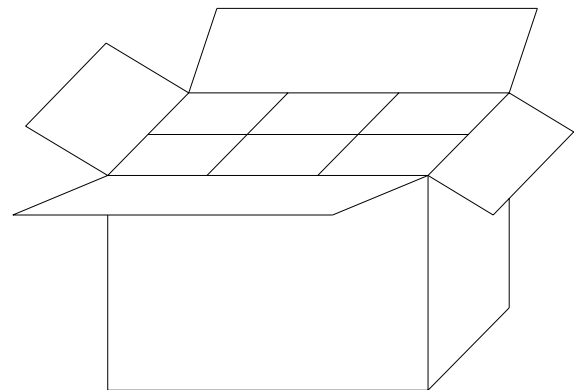
(Z6DC) 圆柱马达包装 Packaging drawing of Z6DC cylindrical motor



100PCS (1 tray) × 10



1000PCS (1 bundle) × 6



包装试验要求

1. 标准

- (1) 整箱重量小于等于9kg的，跌落高度设定为75cm.
- (2) 整箱重量大于9kg但小于等于23kg的，跌落高度设定为60cm.

2. 试验方法:

跌落要求为六面三棱一角.

- (1) 六面: 先从最大两面跌，然后是中间大小的两面，最后跌最小的两面，一共六次。
- (2) 三棱: 指任选三条同一角的棱，跌落秩序: 最长棱，中间长度，最短的，一共三次。
- (3) 一角: 指上一步三条棱所组成的角，跌落一次。

3. 判定基准

经过跌落试验后，产品外观、性能无不良。

Package Test Requirement:

1. Criteria

- (1) The weight of the whole carton less than 9kg, the dropping height is 75cm.
- (2) The weight of the whole carton more than 9kg and less than 23kg, the dropping height is 60cm.

2. Test Methods:

Dropping requirement is 6 faces, 3 arris, 1 angle.

- (1) 6 faces: First dropping with two biggest faces, then dropping with another two middle faces, at last dropping with two smallest faces, once per face, total 6 faces.
- (2) 3 arris: Choose any 3 arris which make up of the same the angle, the dropping sequence is the longest arris, middle arris, shortest arris. Total 3 times.
- (3) 1 angle: Point to the angle which is made up with the 3 arris in the above step. Dropping for 1 time.

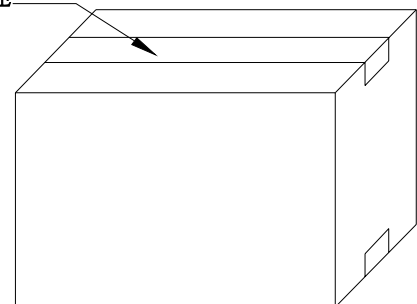
3. Judgement Criterion

After drop test, no evidence of damage on the appearance and performance.

Remarks:

- 1000PCS/CTN: 23.5cm × 17cm × 27cm
 2000PCS/CTN: 33.5cm × 23.5cm × 27cm
 4000PCS/CTN: 46.5cm × 33.5cm × 27cm
 6000PCS/CTN: 50.5cm × 46.5cm × 27cm

OPP TAPE



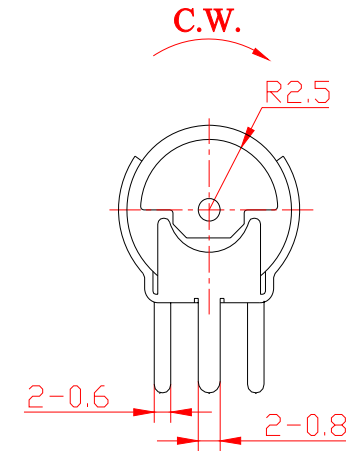
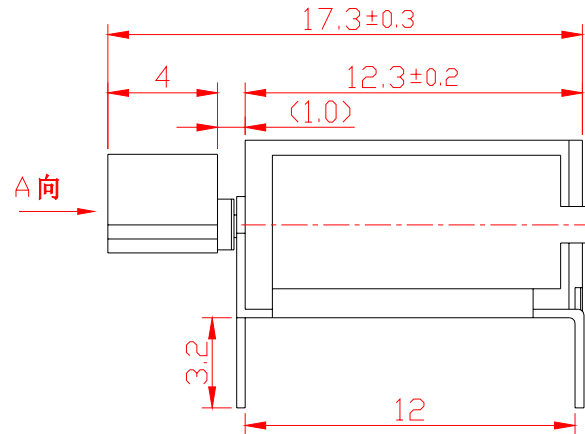
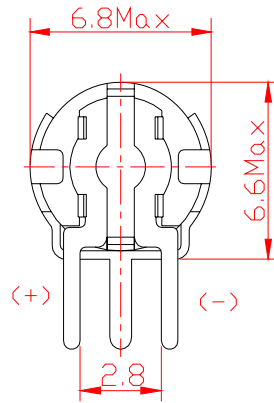
10. 外形图/Outline Drawing

Z6DCBB0056091

www.jinlong-machinery.com

技术要求/Technical Requirements:

1. 额定电压/Rated voltage:3.0V
2. 额定电流/Rated current:70mA Max
3. 额定转速/Rated speed:11000 ± 2500rpm
4. 堵转电流/Stall current:125mA Max
5. 端子阻抗/Terminal resistance:30Ω(±20%)
6. 起动电压/Starting voltage: 1.7V Max
7. 轴向间隙/Shaft end play: 0.1~0.3mm
8. 所有尺寸为A向压紧后的尺寸(不包括轴向间隙)/
Overall length is measured after counterweight being pressed against body in direction A. (Shaft end play is not included.)
9. 未注线性公差为/Unmarked tolerance: ± 0.1mm



借(通)用件登记

底图总号

签字

日期

标记	处数	分区	更改文件号	签名	日期
设计	杨兰	2011.11.15	标准化	郭梦秋	2011.11.15
校对					
审核	徐继森	2011.11.15			
工艺	杨准华	2011.11.15	批准	彭小华	2011.11.15

jinlong-machinery.com		
阶段标记	重量	比例
		5:1
共 页	第 页	

金龙机电股份有限公司

外形图

Z6DCBB0056091

2011. 11. 15

说明书/Specification

编号/NO. K0TL-B-257

代码/code: 0

8/9

