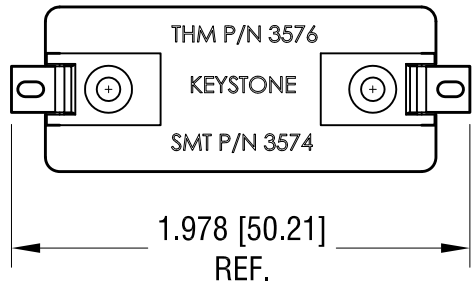
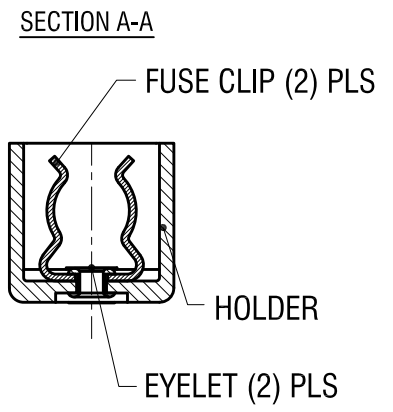
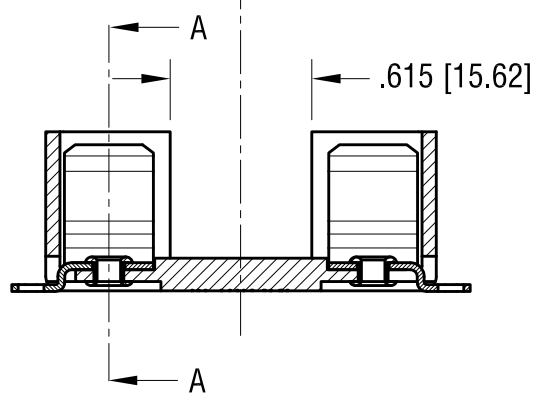
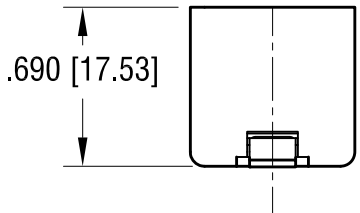
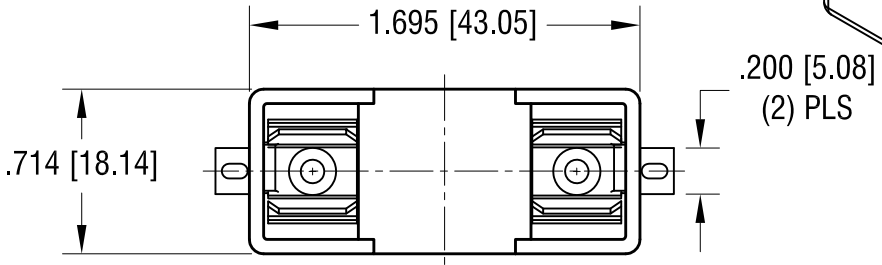
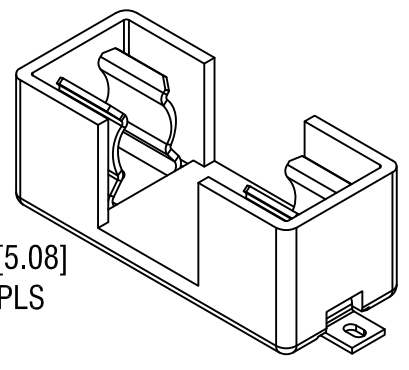
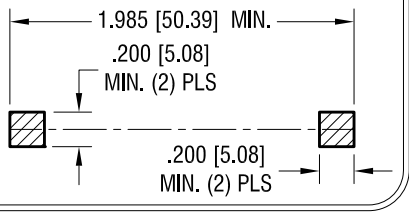


THIS DOCUMENT IS THE PROPERTY OF KEYSTONE ELECTRONICS CORP. AND SHALL NOT BE REPRODUCED, DISTRIBUTED OR USED AS A BASIS FOR MANUFACTURE WITHOUT PRIOR WRITTEN PERMISSION FROM KEYSTONE ELECTRONICS CORP.

MOUNTING LAYOUT



NOTE:
 HOLDER: MAT'L- HI-TEMPERATURE NYLON (BLACK COLOR)
 UL RATING 94V-0
 FUSE CLIP: MAT'L- .030 [0.76] TH'K BRASS
 FINISH- TIN PLATE

KEYSTONE ELECTRONICS CORP.			
www.keyelco.com • ASTORIA, N.Y. 11105-2017 • Tel (718) 956-8900			
PART NAME		SMT FUSE HOLDER	
MATERIAL		AS NOTED	
FINISH	AS NOTED	DRN BY	NT
		DATE	2.16.12
		APP'D	LN
		SCALE	1.2X
TOLERANCES	INCH [MM]	CODE	DWG NO.
DECIMAL	± .010 [± 0.25]	C	3574
ANGULAR	± 1°		
UNLESS OTHERWISE SPECIFIED			

7.24.12	CHANGE AS PER ECN 12-093	B
7.20.12	CHANGE AS PER ECN 12-90	A
DATE	DESCRIPTION	REV.