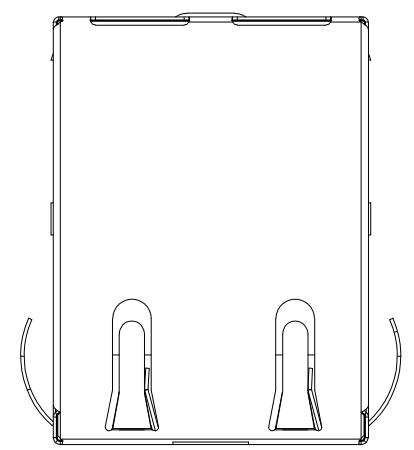
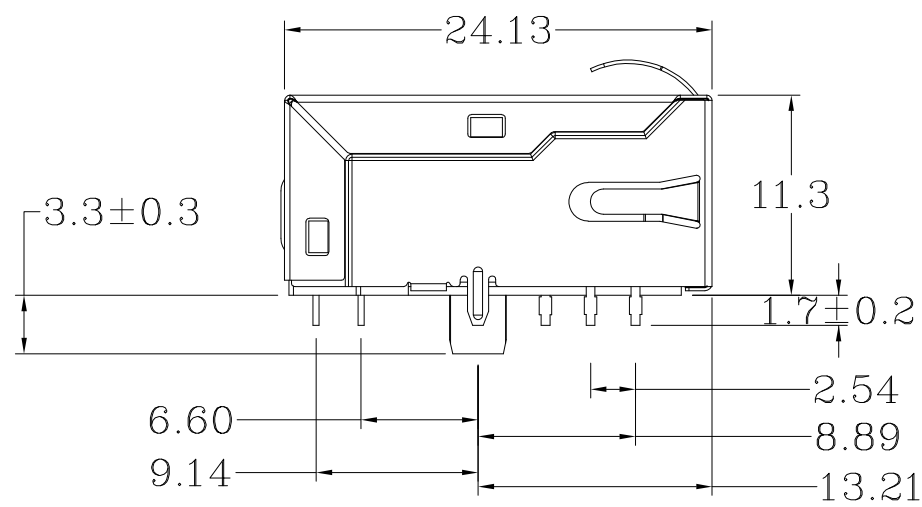
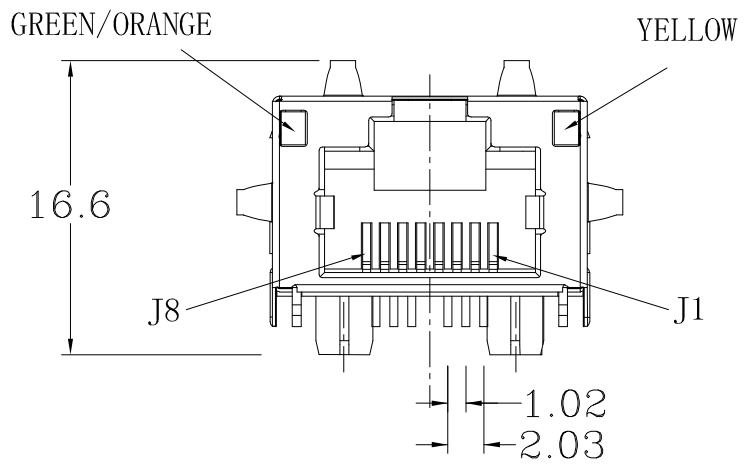
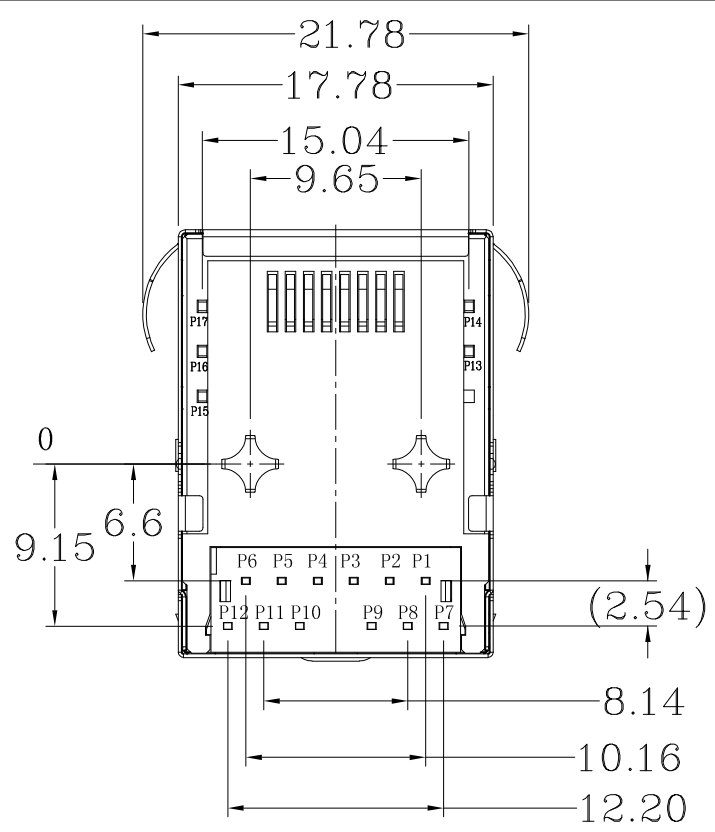


THIS DRAWING IS UNPUBLISHED  
 RELEASED FOR PUBLICATION  
 - ,2017.  
 © COPYRIGHT 2013 By TE CONNECTIVITY  
 ALL RIGHTS RESERVED.

REVISIONS					
P	LTR	DESCRIPTION	DATE	DWN	APVD
	A1	CHANGE PIN LENGTH	28DEC2016	GCM	MSZ



- ⚠ CONNECTOR MATERIAL:  
 HOUSING: LCP BLACK UL94 V-0  
 INSERT: LCP BLACK UL94 V-0  
 SHIELD: BRASS  
 SHIELD PLATING: NICKEL  
 CONTACT: COPPER ALLOY  
 CONTACT PLATING: SELECTIVE GOLD, MIN. 0.76 μm (30 μinch) IN  
 CONTACT AREA OVER MIN. 1.27μm (50μinch) NICKEL  
 SOLDER PIN PLATING: 3.05μm (120μinch) TIN OVER 1.02μm (40μinch)  
 NICKEL OVER ALL  
 SHIELDING PIN PLATING: NICKEL
- PIN NOT ELECTRICALLY CONNECTED MAYBE OMITTED SEE ELECTRICAL CIRCUIT DIAGRAM FOR OMITTED PINS
  - RJ45 CAVITIES CONFORM TO FCC RULES AND REGULATION PART 68
  - THE PART IS RECOMMENDED FOR REFLOW SOLDERING PROCESS PEAK SOLDERING: TEMPERATURE MAX. +260° C, MAX. 10s
  - OPERATING TEMPERATURE: T = -40° C TO +85° C
  - STORAGE TEMPERATURE: T = -40° C TO +85° C
- ⚠ UNLESS OTHERWISE SPECIFIED, SEE TABLE FOR ALL DIMENSIONS TOLERANCES
- JACK CONFIGURATION: 1 x 1 (LOW)
  - TAB DIRECTION: UP
  - PACKAGING: TRAY ACCORDING TO PACKAGING SPECIFICATION 107-18116

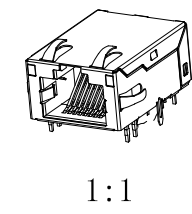


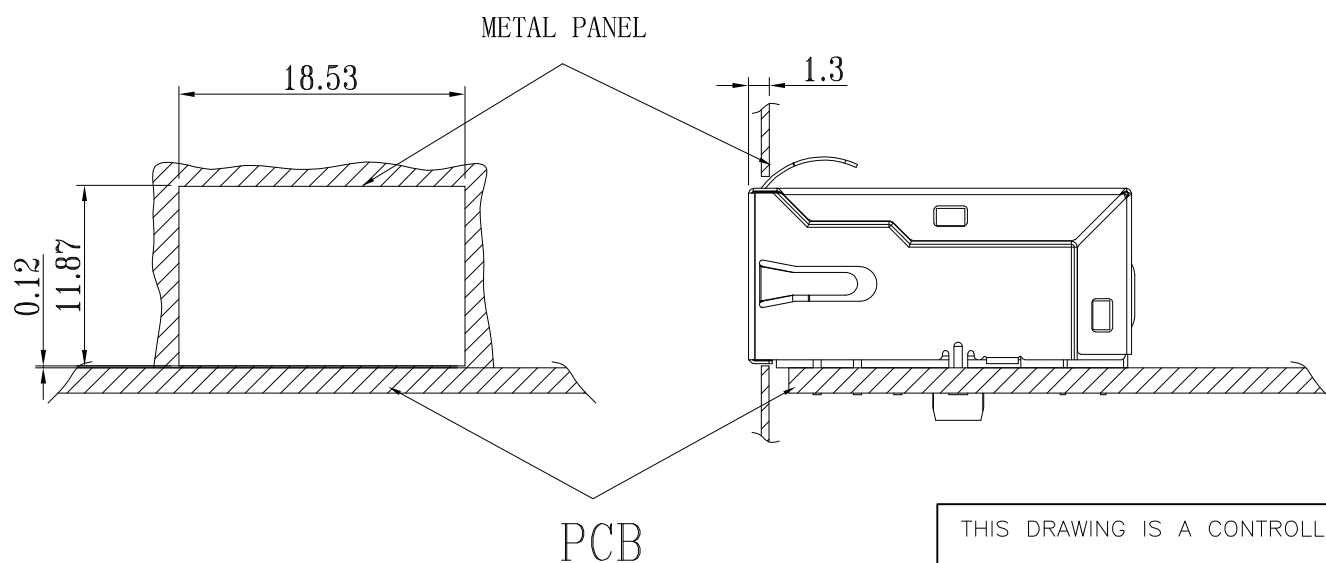
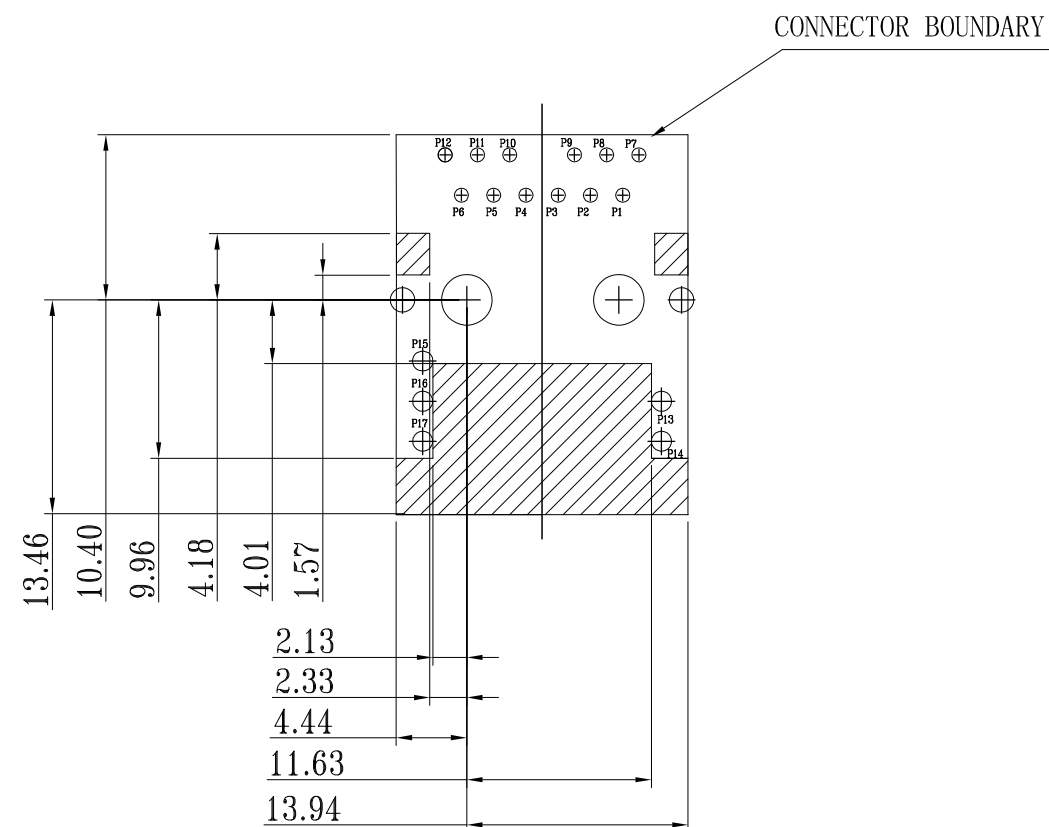
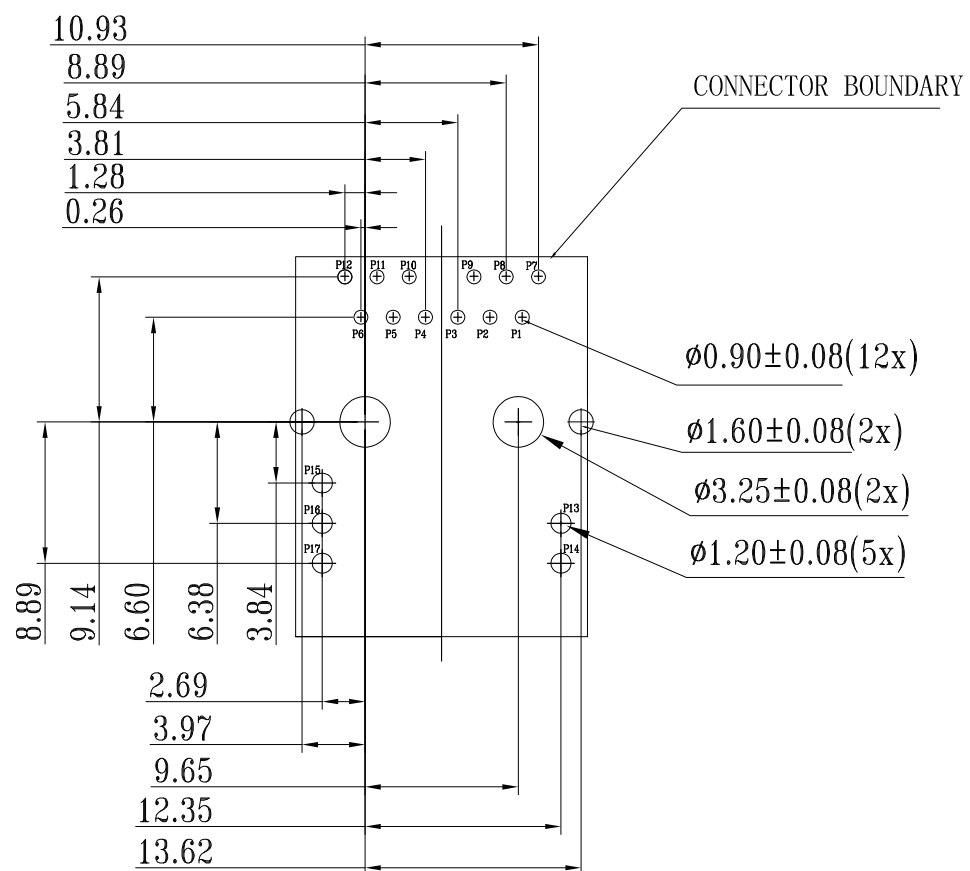
TABLE OF TOLERANCE (mm)	
RANGE	TOLERANCE
0-10	±0.15
>10-40	±0.25
>40-70	±0.30
>70	±0.40

THIS DRAWING IS A CONTROLLED DOCUMENT.		DWN GANESH C M 02AUG2016	TE Connectivity				
DIMENSIONS: mm		CHK FRANZ MUELLER 02AUG2016					
TOLERANCES UNLESS OTHERWISE SPECIFIED:		APVD MARTIN SZELAG 02AUG2016	NAME RJ45 JACK INT.MAG. 1Gb LED 1x1 INV. - low				
 0 PLC ± - 1 PLC ± - 2 PLC ± - 3 PLC ± - 4 PLC ± - ANGLES ± -		PRODUCT SPEC 108-94552	-				
MATERIAL		APPLICATION SPEC 114-94447	SIZE A3	CAGE CODE 00779	DRAWING NO C-6-2301994-1	RESTRICTED TO -	
FINISH		WEIGHT	SCALE 3:1			SHEET 1 OF 3	REV A1
 1		CUSTOMER DRAWING					


REVISIONS

P	LTR	DESCRIPTION	DATE	DWN	APVD
-	-	SEE SHEET 1	-	-	-

SUGGESTED PCB LAYOUT



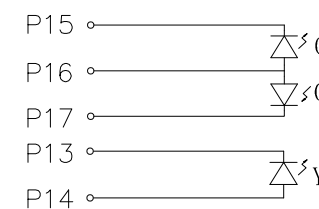
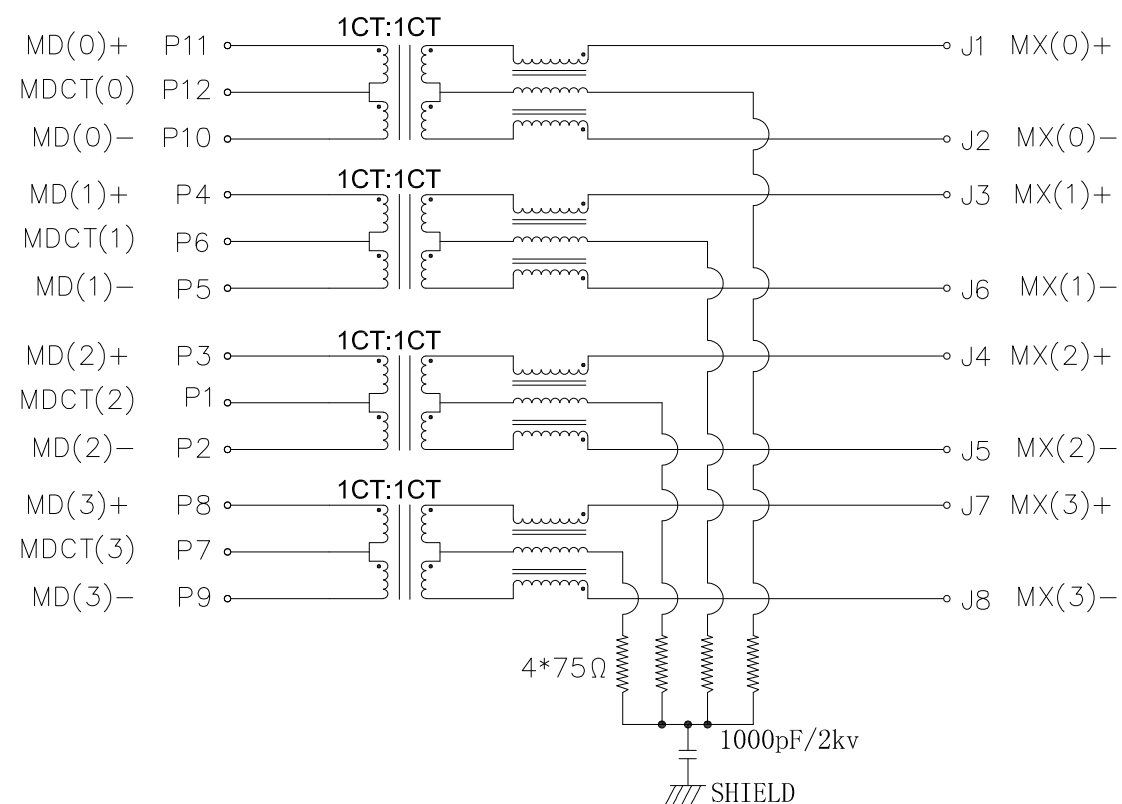
UNIT: mm  
TOLERANCES: ±0.10

THIS DRAWING IS A CONTROLLED DOCUMENT.		DWN GANESH C M 02AUG2016	 TE Connectivity				
DIMENSIONS: mm		CHK FRANZ MUELLER 02AUG2016					
TOLERANCES UNLESS OTHERWISE SPECIFIED:		APVD MARTIN SZELAG 02AUG2016	NAME RJ45 JACK INT.MAG. 1Gb LED 1x1 INV. - low				
<ul style="list-style-type: none"> <li>0 PLC ± -</li> <li>1 PLC ± -</li> <li>2 PLC ± -</li> <li>3 PLC ± -</li> <li>4 PLC ± -</li> <li>ANGLES ± -</li> </ul>		PRODUCT SPEC 108-94552	-				
MATERIAL		APPLICATION SPEC 114-94447	SIZE A3	CAGE CODE 00779	DRAWING NO C-6-2301994-1	RESTRICTED TO -	
FINISH		WEIGHT	CUSTOMER DRAWING		SCALE 3:1	SHEET 2 OF 3	REV A1

REVISIONS

P	LTR	DESCRIPTION	DATE	DWN	APVD
-	-	SEE SHEET 1	-	-	-

ELECTRICAL CIRCUIT DIAGRAM



PIN	YELLOW	PIN	ORANGE	GREEN
P13	-	P15	-	
P14	+	P16	+	+
		P17		-

LED SPECIFICATION				
STANDARD LED	WAVELENGTH	FORWARD CURRENT	FORWARD V(max)	TYP
GREEN	565nm	20 mA	2.4V	2.2V
YELLOW	590nm	20 mA	2.5V	2.1V
ORANGE	605nm	20 mA	2.5V	2.0V

- 1 TURN RATIO @100kHz: (P11~P10) : (J1~J2) = 1:1 ± 2%  
(P4~P5) : (J3~J6) = 1:1 ± 2%  
(P3~P2) : (J4~J5) = 1:1 ± 2%  
(P8~P9) : (J7~J8) = 1:1 ± 2%
- 2 PRIMARY INDUCTANCE: 350μH MIN. @100kHz, 0.1V 8mA DC BIAS
- 3 DC RESISTANCE: 1.2 OHM MAX.
- 4 INSERTION LOSS: 1-100MHz -1.0dB MAX.  
100-125MHz -1.2dB MAX.
- 5 RETURN LOSS: 1-40MHz -16dB MIN.  
40-60MHz -12dB MIN.  
60-80MHz -10dB MIN.  
80-100MHz -8dB MIN.
- 6 CROSS TALK: 1-100MHz -30dB MIN.
- 7 COMMON TO COMMON MODE ATTENUATION: 1-100MHz -30dB MIN.
- 8 ISOLATION: PHY SIDE TO LINE SIDE: 2250VDC

6-2301994-1  
WWYY-xxxx

**CONTROL CODE**

**DATE CODE**  
"0213"

YY-YEAR  
WW-WEEK

FCC

THIS DRAWING IS A CONTROLLED DOCUMENT.		DWN GANESH C M 02AUG2016	TE Connectivity		
DIMENSIONS: mm		CHK FRANZ MUELLER 02AUG2016			
TOLERANCES UNLESS OTHERWISE SPECIFIED:		APVD MARTIN SZELAG 02AUG2016	NAME RJ45 JACK INT.MAG. 1Gb LED 1x1 INV. - low		
0 PLC ± - 1 PLC ± - 2 PLC ± - 3 PLC ± - 4 PLC ± - ANGLES ± -		PRODUCT SPEC 108-94552	-		
MATERIAL		APPLICATION SPEC 114-94447	SIZE A3	CAGE CODE 00779	DRAWING NO 6-2301994-1
FINISH		WEIGHT	RESTRICTED TO		
1		CUSTOMER DRAWING		SCALE 3:1	SHEET 3 OF 3
1				REV A1	