

MODELS:

# SRW18US13 / SRW18US13G

## SmartRack® Slim Wall-Mount Rack Enclosure Cabinets



18 Rack Units



250 lb.  
Load Rating



Sturdy Steel  
Construction



Locking Doors  
& Side Panels



Clear Acrylic  
Front Window  
(SRW18US13G only)



Hinged Wall  
Bracket



Standard  
19" Rack Width



Convenient  
Cable Access



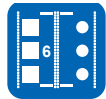
Adjustable  
Mounting Rails



Ventilated for  
Ample Airflow



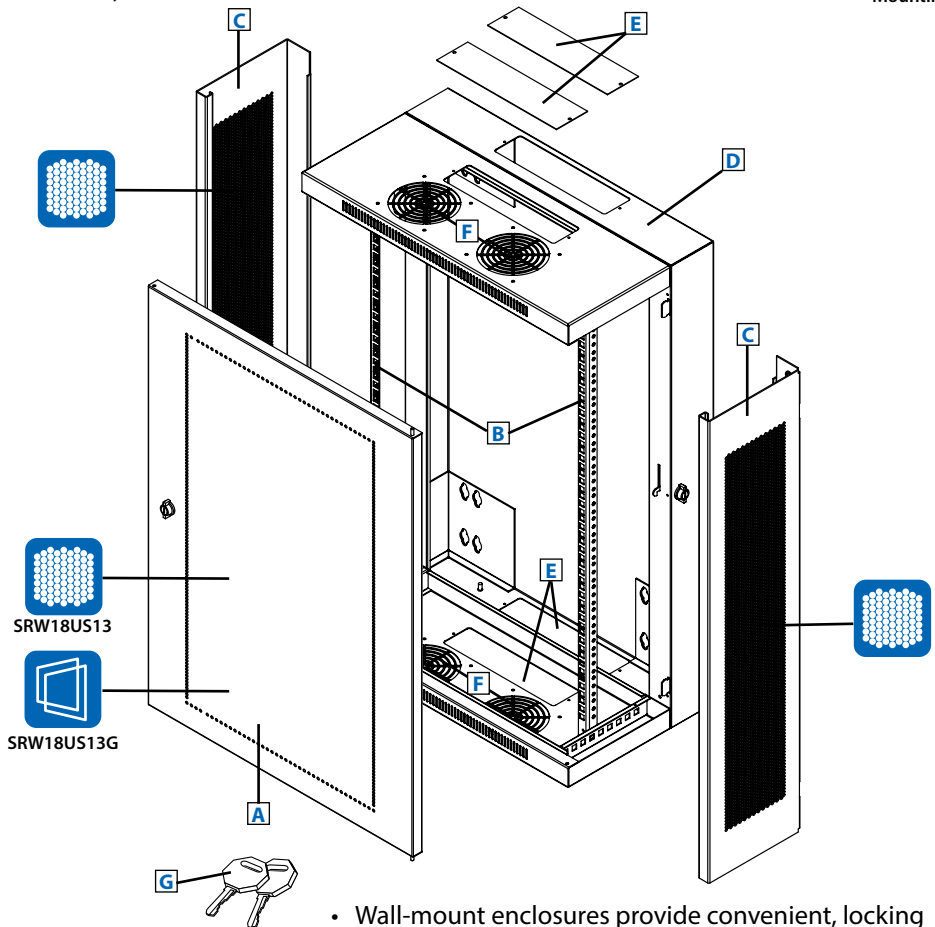
Reversible  
Cabinet



Square/  
Threaded Hole  
Mounting

- A** Front Door  
(Lockable/Removable/Reversible.  
SRW18US13 door is perforated;  
SRW18US13G door has a clear acrylic window.)
- B** Adjustable Mounting Rails (4)  
(Support square and threaded hole mounting options.)
- C** Side Panels (2)  
(Lockable/Removable)
- D** Hinged Wall Bracket  
(Lockable/Reversible. Allows the cabinet to  
swing away from the wall for convenient rear  
access to equipment and cabling.)
- E** Cable Access Port Covers (4)  
(Removable)
- F** Ventilation Fan Ports (4)  
(Support optional SRFANWM fan kit.)
- G** Keys (2)

Also Includes: Owner's manual, cabinet ground screw,  
pre-installed front door ground wire and rack-mount  
equipment mounting hardware (42 cage nuts,  
42 mounting screws, 42 #12-24 screws, 42 washers).



- Wall-mount enclosures provide convenient, locking storage for rack-mount IT devices and other equipment that should be off the floor, out of the way and secure
- The cabinet is fully reversible, allowing installers to change door hinges from left to right by simply rotating the unit 180 degrees before mounting
- Hinged wall bracket allows cabinet to swing away from the wall for convenient access to equipment and cabling

**SEE NEXT PAGE FOR DETAILED UNIT MEASUREMENTS**

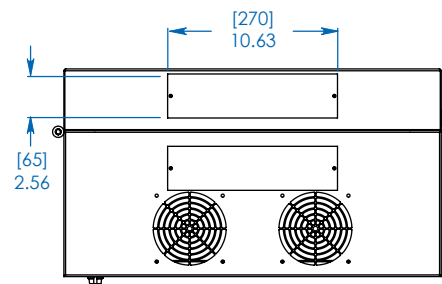
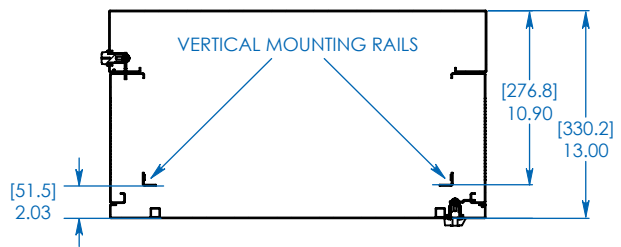
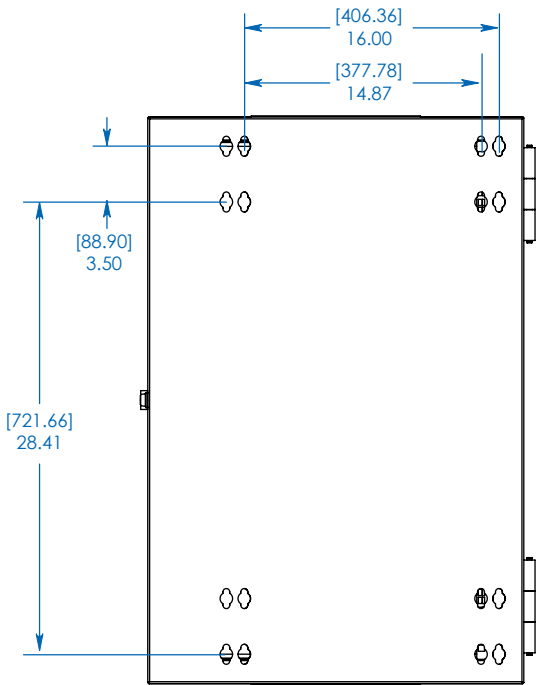
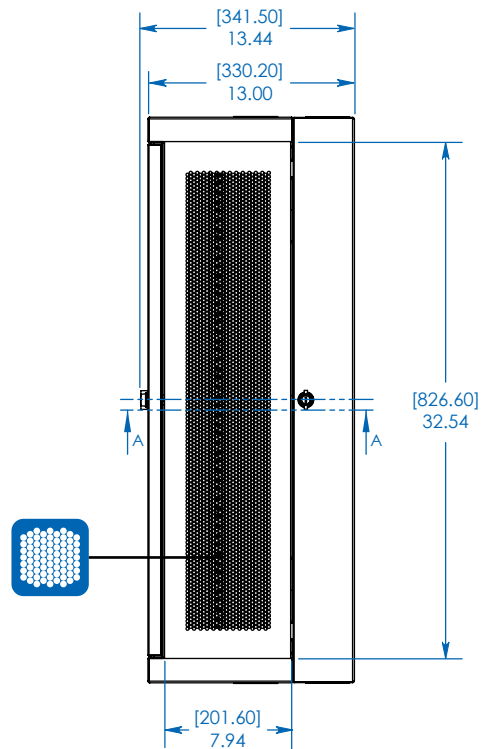
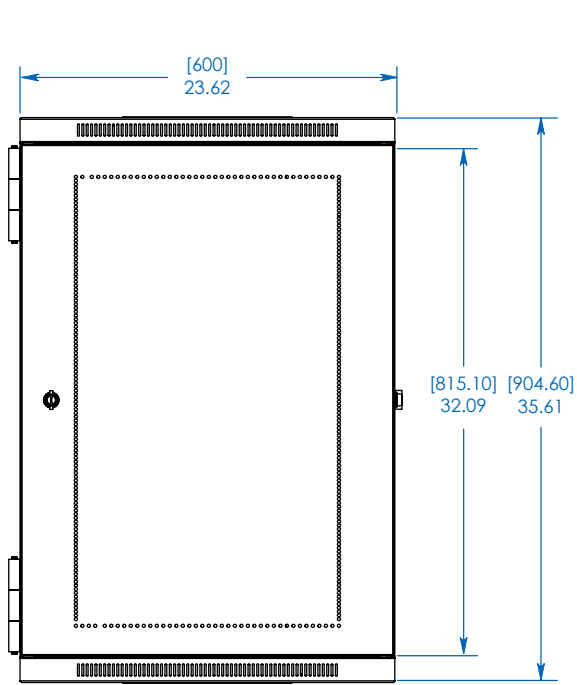
### Specifications

Model	SRW18US13 / SRW18US13G
Rack Spaces	18U
Equipment Mounting Depth	Up to 13 in. (330 mm)
Load Rating*	250 lb. (113 kg)
Unit Dimensions [H x W x D]	35.61 x 23.62 x 13 in. (904.6 x 600 x 330.2 mm)
Shipping Dimensions [H x W x D]	41.61 x 25.6 x 14.96 in. (1056.9 x 650.2 x 380 mm)
Unit Weight	83.77 lb. (38 kg)
Shipping Weight	98 lb. (44.5 kg)
Standards	Tested to UL/CSA 60950-1, IEC 60297-3-100, RoHS, NOM (Mexico), EIA/ECA-310-E, GOST; PCI Compliant, IP20 Protection Rating

\* The load rating includes the combined weight of the unit and installed equipment. The unit must be mounted to a stable surface with user-supplied anchors capable of bearing the full load.



1111 W. 35th Street  
Chicago, IL 60609 USA  
773.869.1234  
www.tripplite.com

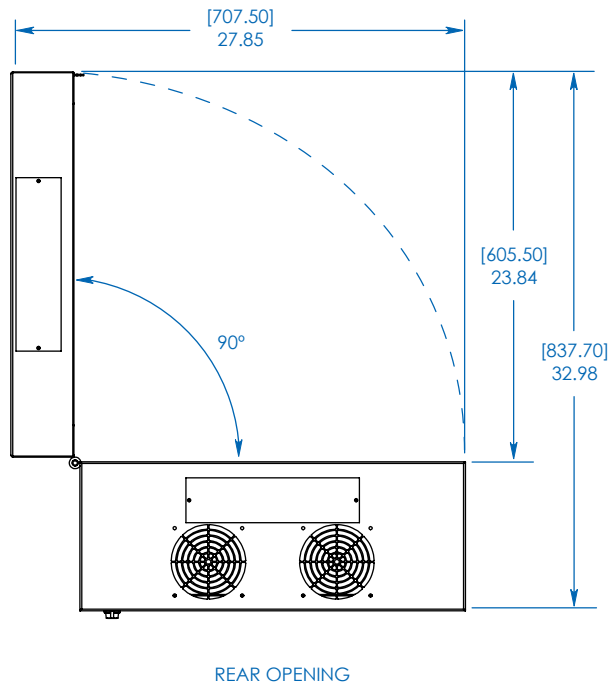
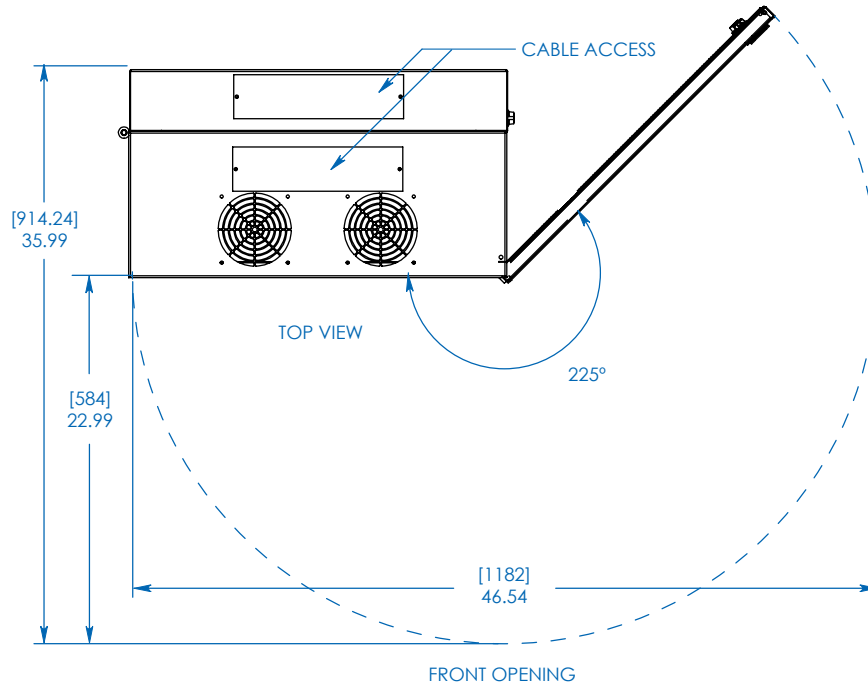


MODELS:  
**SRW18US13 /  
SRW18US13G**



Dimensions: [mm] INCHES

Tripp Lite has a policy of continuous improvement. Specifications are subject to change without notice.



Dimensions: [mm] INCHES

Tripp Lite has a policy of continuous improvement. Specifications are subject to change without notice.

MODELS:  
**SRW18US13 /  
SRW18US13G**

**TRIPP·LITE**

1111 W. 35th Street  
Chicago, IL 60609 USA  
773.869.1234

[www.tripplite.com](http://www.tripplite.com)