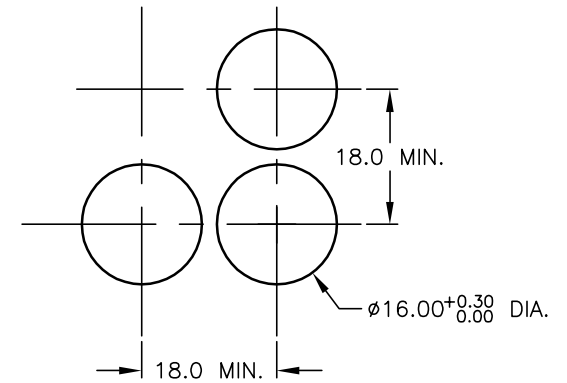
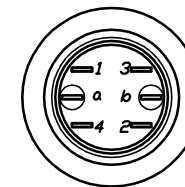
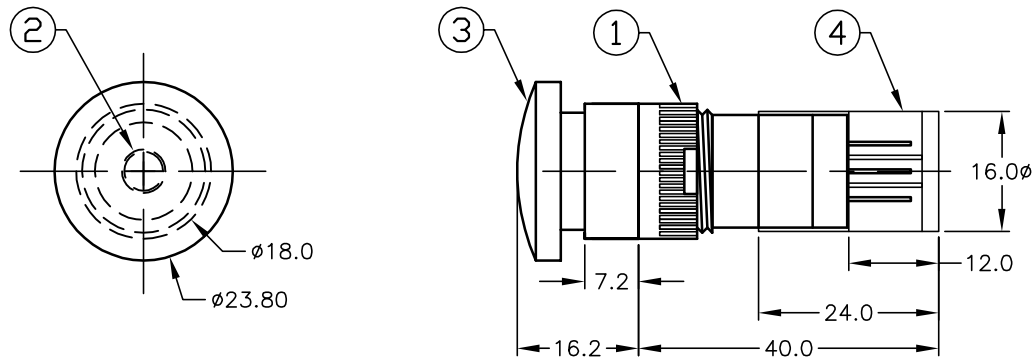


PARTS LIST			
ITEM	QTY.	PART NO.	PART DESCRIPTION
1	1	F040014	P160AR11
2	1	F050422	50-004-22 (GREEN LED)
3	1	F051211	50-012-11 (GREEN TRANSPARENT MUSHROOM)
4	1	F051601	P16 TERMINAL PROTECTOR PLASTIC



PANEL MOUNTING



1 o o 2  
 3 o o 4  
 a-L-b (+)

CONTACT CONFIGURATION

NOTES:

1. ALL DIMENSIONS IN MM
2. GENERAL TOLERANCE: 0.0=±0.4  
0.00=±0.25
3. RATINGS 250VAC @1A, 4A, 5A

**E-SWITCH®**

TITLE		P160AR1KGRNGRN		
SCALE	DATE	DR	DWG	REV
1:1	9/18/03	AR	XF0130P	A

A	13462	RELEASED FOR PRODUCTION	9/18/03	AR
REV.	ECN No.	DESCRIPTION	DATE	CHKD
THE INFORMATION CONTAINED IN THIS DOCUMENT IS PROPRIETARY TO E-SWITCH AND IS NOT TO BE COPIED OR TRANSFERRED				