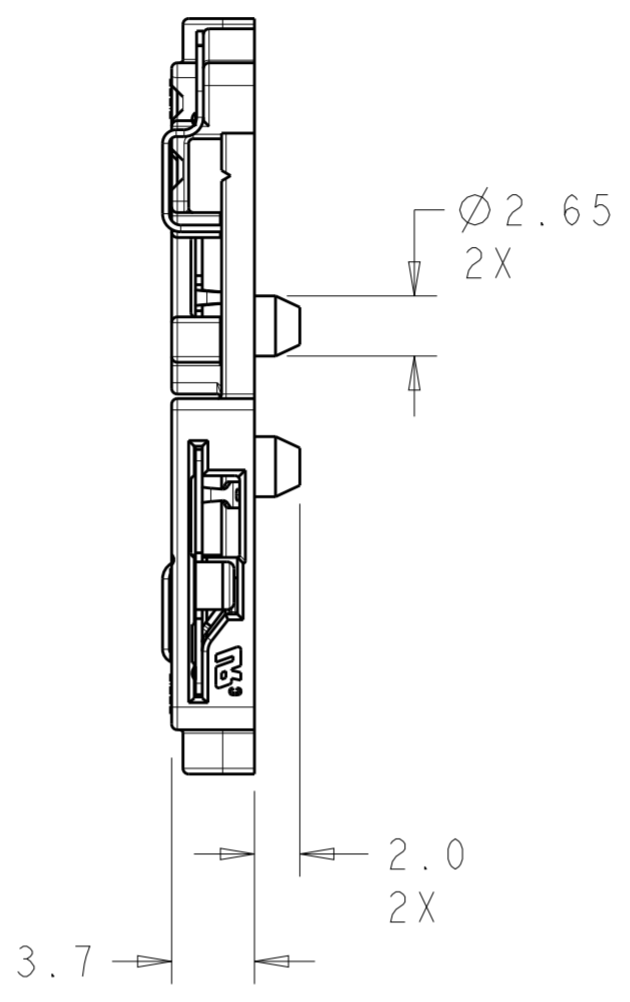
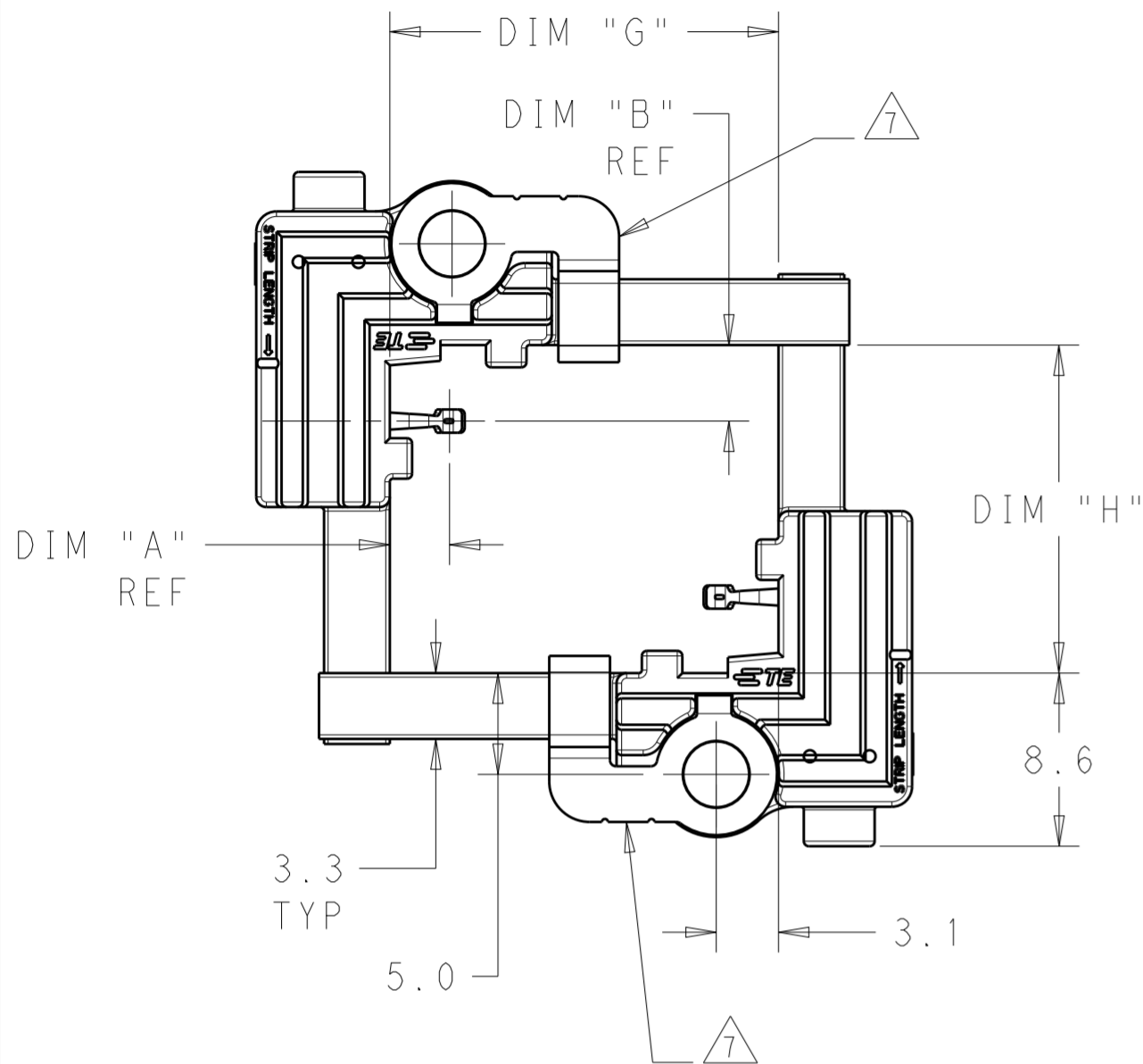


THIS DRAWING IS UNPUBLISHED. RELEASED FOR PUBLICATION 20  
 © COPYRIGHT 20 BY - ALL RIGHTS RESERVED.

REVISIONS							
LOC	DIST	P	LTR	DESCRIPTION	DATE	DWN	APVD
-	-	A		REVISED PER ECR-15-007373	31JUL2015	RS	DD



1. MATERIALS AND FINISH:  
 -HOUSING: PBT-GF, COLOR: NATURAL  
 -CONTACTS: COPPER ALLOY  
 FINISH: SEE TABLE  
 -THERMAL SPRING: STAINLESS STEEL

2. MUST COMPLY WITH DIRECTIVE 2002/95/EC (ROHS)

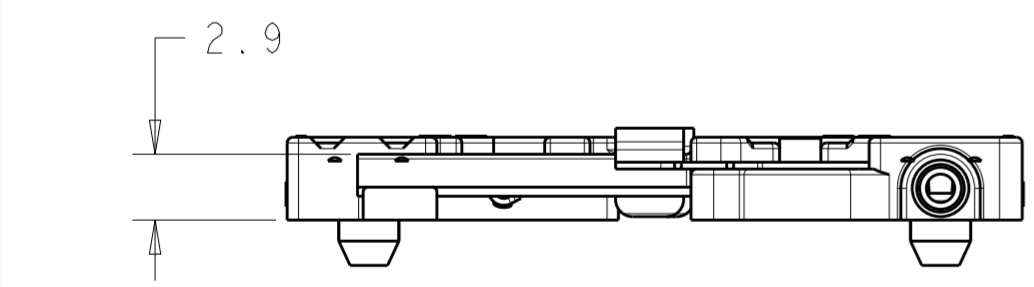
3. REFER TO LED MANUFACTURER'S DATASHEET FOR LED DIMENSIONS

4. REFER TO LED DATASHEET FOR RECOMMENDED THERMAL INTERFACE MATERIALS

5. RECOMMENDED SCREW SIZE: M3 OR #4.  
 TORQUE SCREWS TO 2.5 in-lbf TO 4.0 in-lbf

6. WIRE TYPES AND SIZES ACCEPTED  
 18, 20 AND 22 AWG SOLID WIRE  
 18 AND 20 AWG PREBOND STRANDED WIRE  
 18 AWG STRANDED WIRE (16 STRAND COUNT)  
 MAX INSULATION OD: 2.10 MM  
 STRIP LENGTH: 8.0±1.0

7. IN APPLICATIONS WHERE THE LED SUBSTRATE IS LESS THAN 1.50MM THICK A THERMAL SPRING IS REQUIRED. AS NOTED IN THE TABLE THE THERMAL SPRINGS WILL BE INSTALLED PRIOR TO SHIPMENT FROM THE TE FACTORY.



CITIZEN CLL050/052	YES	38.30	38.30	2.26	2.00	GOLD OVER NICKEL	6-2154874-4
CITIZEN CLL040/042	YES	28.30	28.30	2.26	2.00	GOLD OVER NICKEL	6-2154874-3
CITIZEN CLL030/032 EDISON-OPTO 2PHM30X	YES	19.30	19.30	1.85	1.55	GOLD OVER NICKEL	6-2154874-2
CITIZEN CLL020/022 EDISON-OPTO 2PHM09X	YES	13.80	13.80	1.85	1.55	GOLD OVER NICKEL	6-2154874-1
CREE CXA25XX	YES	24.15	24.15	2.26	2.00	GOLD OVER NICKEL	5-2154874-3
CREE CXA15XX	YES	16.15	16.15	2.26	2.00	GOLD OVER NICKEL	5-2154874-2
CREE CXA2011	NO	22.30	22.30	3.75	2.95	TIN OVER NICKEL	5-2154874-1
BRIDGELUX ES	NO	25.45	22.45	2.26	2.00	TIN OVER NICKEL	3-2154874-2
LED MFG AND MODEL	7 THERMAL SPRING	DIM H	DIM G	DIM B	DIM A	CONTACT PLATING	PART NUMBER

THIS DRAWING IS A CONTROLLED DOCUMENT.

DIMENSIONS: mm	TOLERANCES UNLESS OTHERWISE SPECIFIED: 0 PLC ± 1 PLC ±0.2 2 PLC ±0.13 3 PLC ± 4 PLC ± ANGLES ± FINISH	22MAR2012 M. MOSTOLLER 22MAR2012 M. MOSTOLLER 22MAR2012	APVD	PRODUCT SPEC 108-133005	APPLICATION SPEC 114-32043	WEIGHT	Customer Drawing	SCALE 3:1	SHEET 1 OF 2	REV A
-------------------	--	---	------	----------------------------	-------------------------------	--------	------------------	-----------	--------------	-------

**STE** TE Connectivity

ONE PIECE ASSEMBLY  
LUMAWISE LED HOLDER, SCALABLE

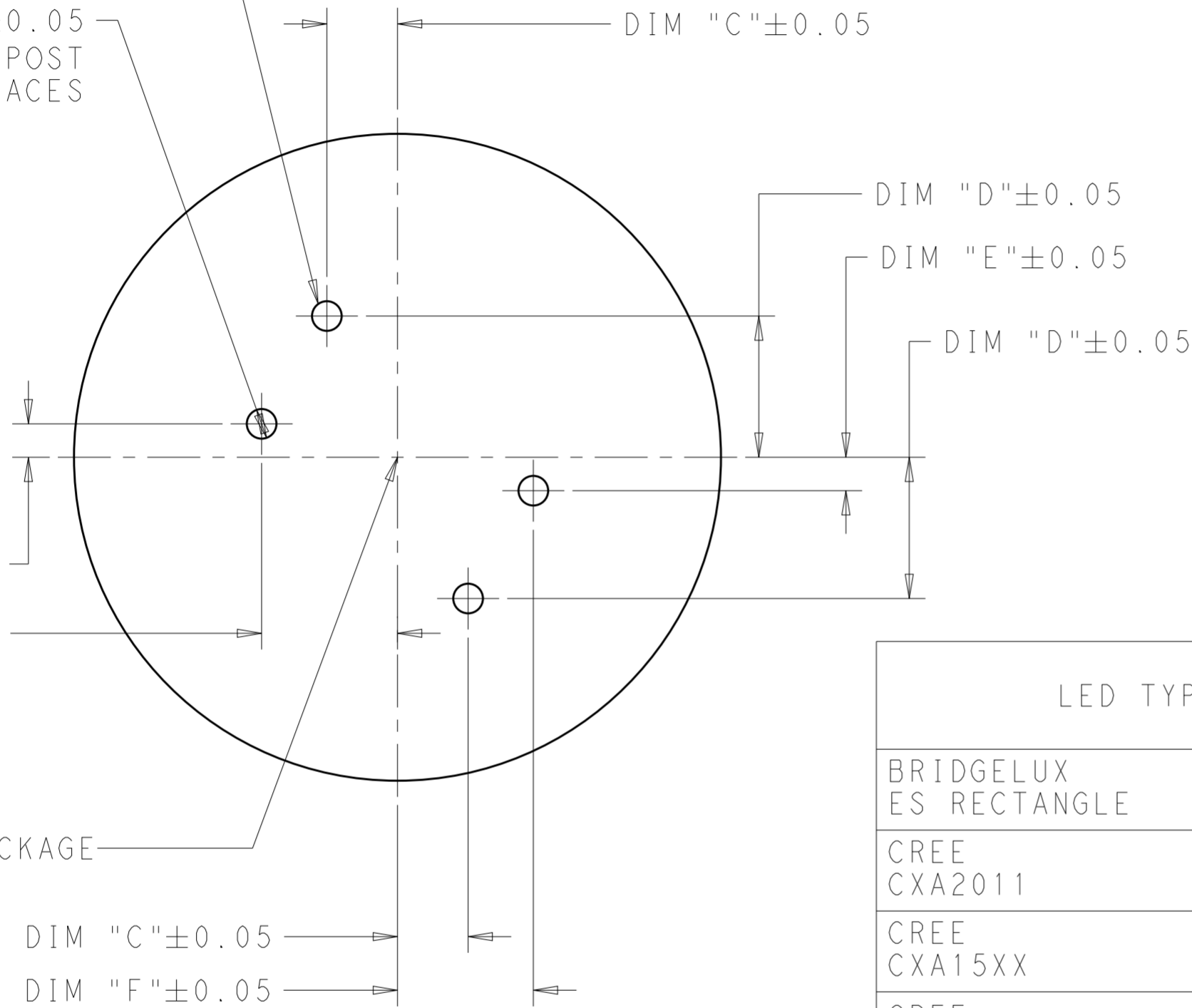
SIZE A2 CAGE CODE 00779 DRAWING NO. C-2154874 RESTRICTED TO

THIS DRAWING IS UNPUBLISHED. RELEASED FOR PUBLICATION 20  
 © COPYRIGHT 20 BY - ALL RIGHTS RESERVED.

LOC		DIST		REVISIONS			
P	LTR	DESCRIPTION	DATE	DWN	APVD		
-	-	SEE SHEET 1	-	-	-		

DRILL AND TAP FOR M3  
OR #4 MOUNTING  
HARDWARE 2 PLACES

DRILL  $\varnothing 2.75 \pm 0.05$   
FOR ALIGNMENT POST  
2 PLACES



CENTER OF LED PACKAGE

DIM "C"  $\pm 0.05$

DIM "F"  $\pm 0.05$

RECOMMENDED MOUNTING HOLE PATTERN

LED TYPE	LED DIMENSION $\triangle 3$	DIM "C"	DIM "D"	DIM "E"	DIM "F"	RECOMMENED SOCKET PART NUMBER
BRIDGELUX ES RECTANGLE	25.5 X 22.3	9.70	16.30	6.30	15.80	3-2154874-2
CREE CXA2011	22.0 X 22.0	8.05	16.15	6.15	14.15	5-2154874-1
CREE CXA15XX	15.85 X 15.85	4.98	13.08	3.08	11.08	5-2154874-2
CREE CXA25XX	23.85 X 23.85	8.98	17.08	7.08	15.08	5-2154874-3
CITIZEN CLL020/022 SERIES EDISON-OPTO 2PHM09X	13.5 X 13.5	3.80	11.90	1.90	9.90	6-2154874-1
CITIZEN CLL030/032 SERIES EDISON-OPTO 2PHM30X	19.0 X 19.0	6.55	14.65	4.65	12.65	6-2154874-2
CITIZEN CLL040/042 SERIES	28.0 X 28.0	11.05	19.15	9.15	17.15	6-2154874-3
CITIZEN CLL050/052 SERIES	38.0 X 38.0	16.05	24.15	14.15	22.15	6-2154874-4

\*\*\*\* OTHER LED MODELS POSSIBLE AND REVIEWED UPON REQUEST \*\*\*\*

THIS DRAWING IS A CONTROLLED DOCUMENT.		DWN 22MAR2012 M. MOSTOLLER	TE Connectivity	
DIMENSIONS: mm		CHK 22MAR2012 M. MOSTOLLER		
TOLERANCES UNLESS OTHERWISE SPECIFIED:		PRODUCT SPEC 108-133005 APPLICATION SPEC 114-32043		NAME ONE PIECE ASSEMBLY LUMAWISE LED HOLDER, SCALABLE
0 PLC $\pm$ 1 PLC $\pm 0.2$ 2 PLC $\pm 0.13$ 3 PLC $\pm$ 4 PLC $\pm$ ANGLES $\pm$ FINISH		MATERIAL -		SIZE CAGE CODE DRAWING NO A200779 C-2154874 RESTRICTED TO -
Customer Drawing		SCALE 3:1		SHEET 2 OF 2 REV A