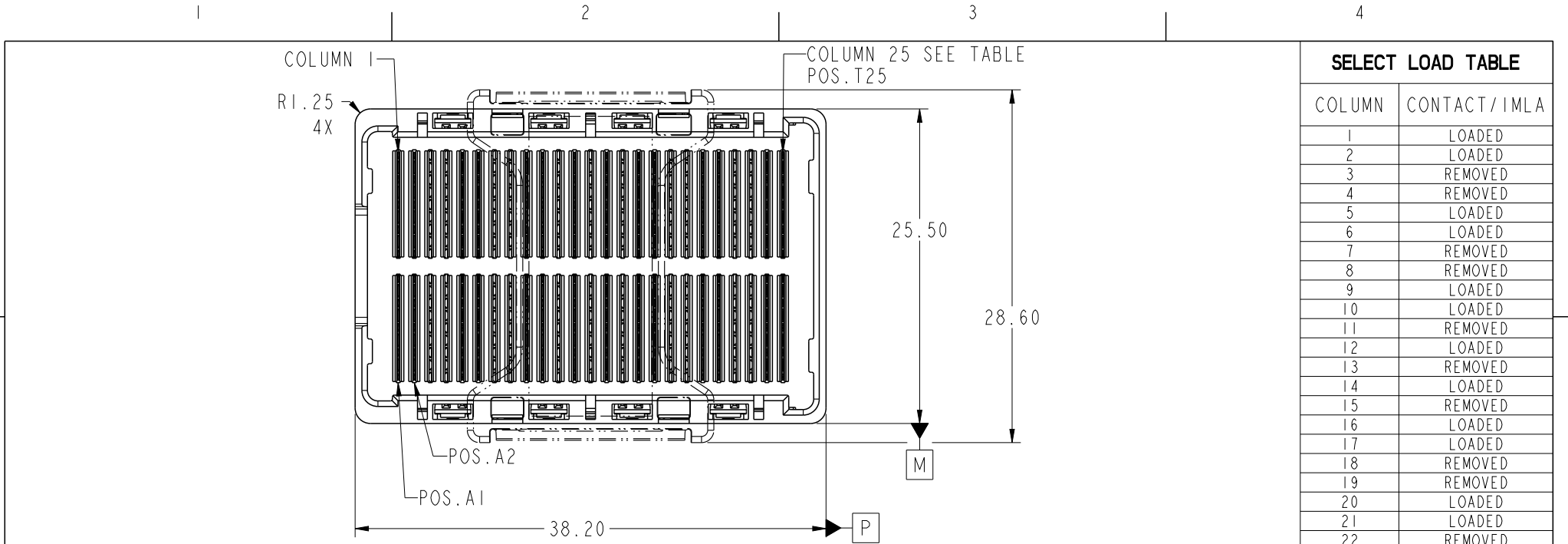
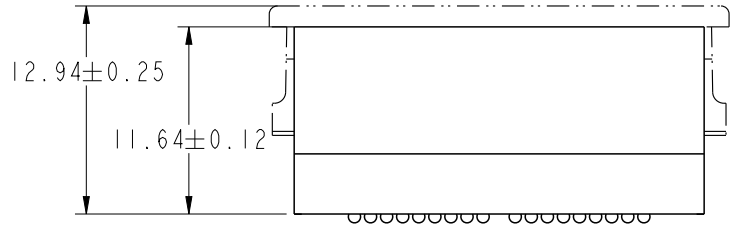
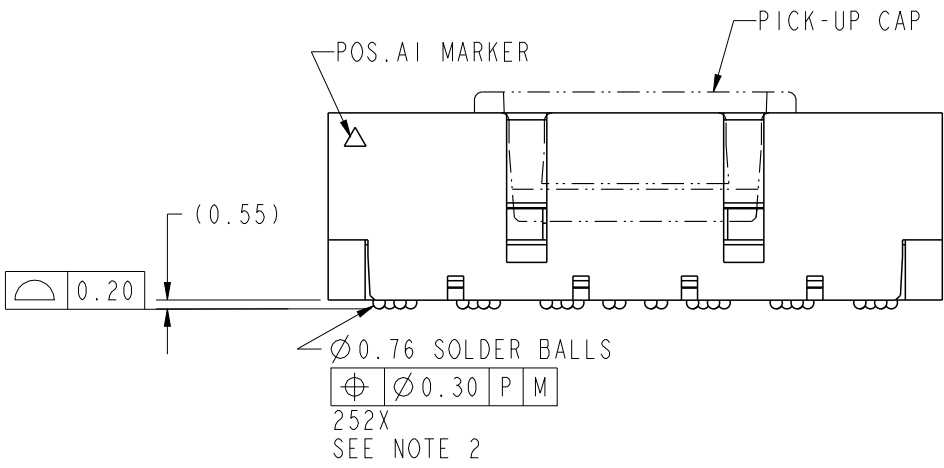




Copyright FCI.



SELECT LOAD TABLE	
COLUMN	CONTACT / IMLA
1	LOADED
2	LOADED
3	REMOVED
4	REMOVED
5	LOADED
6	LOADED
7	REMOVED
8	REMOVED
9	LOADED
10	LOADED
11	REMOVED
12	LOADED
13	REMOVED
14	LOADED
15	REMOVED
16	LOADED
17	LOADED
18	REMOVED
19	REMOVED
20	LOADED
21	LOADED
22	REMOVED
23	REMOVED
24	LOADED
25	LOADED



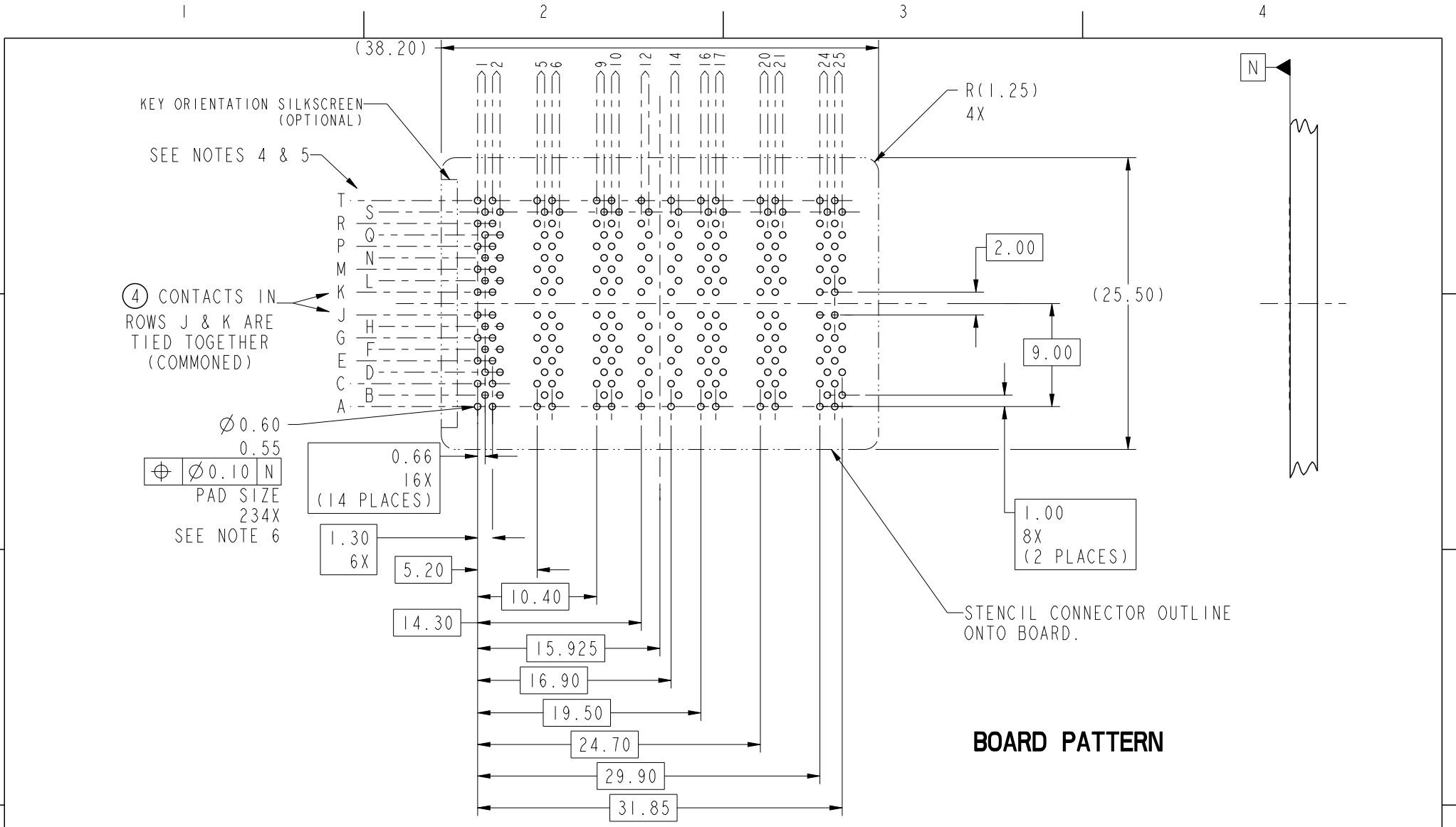
rev	ecn no	dr	date
A	V08-0278	HTB	2008-06-24

spec ref	-	dr	Louis Ng	2010/11/01	projection 	mm ←→	size	A4	scale	1:1
tolerance std	ASME Y14.5	eng	Nickor Zuo	2011/05/30			ecn no	ELX-DG-003943-1		
surface	✓	chr	Alex Cao	2011/06/24			product family	GIG-Array		rel level
		appr	Pei-Ming Zheng	2011/06/27	product family		GIG-Array		rel level	Released
				title GIG-Array (SELECT LOAD) 12mm PLUG ASSY		dwg no 10082972	rev B			
		www.fci.com		cat. no.	Product - Customer Drw		sheet 1 of 5			

ProjE File - REV C - 2009-06-09



Copyright FCI.



spec ref	-	dr	Louis Ng	2010/11/01	projection	mm	size	A4	scale	1:1
tolerance std	ASME Y14.5	eng	Nickor Zuo	2011/05/30			ecn no		ELX-DG-003943-1	
TOLERANCES UNLESS OTHERWISE SPECIFIED		chr	Alex Cao	2011/06/24			rel level		Released	
surface	✓	appr	Pei-Ming Zheng	2011/06/27	product family		GIG-Array		rev	
	linear				title		GIG-Array (SELECT LOAD)		dwg no	
					12mm PLUG ASSY		10082972		B	
	angular				cat. no.		Product - Customer Drw		sheet 2 of 5	
					www.fci.com					

PrdE File - REV C - 2009-06-09

1

2

3

4

A

B

C

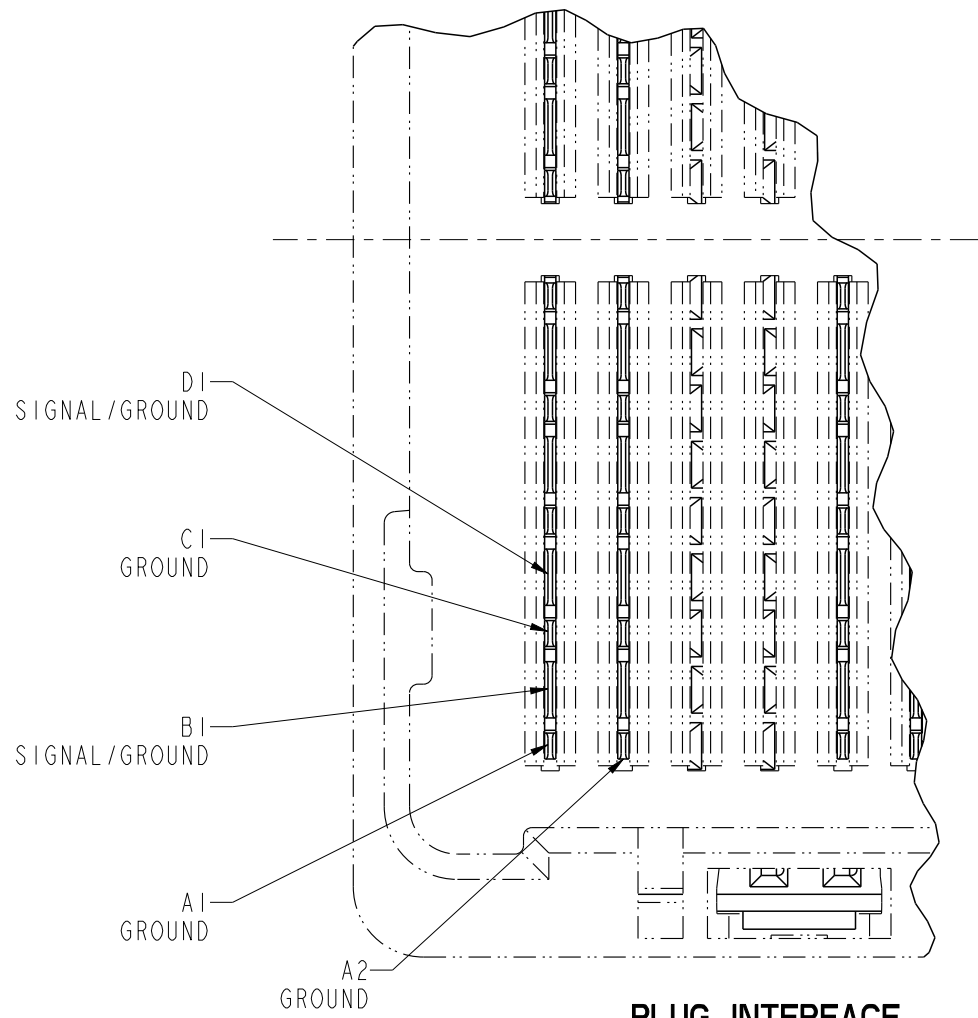
D

A

B

C

D



PLUG INTERFACE DESCRIPTION

spec ref		-		dr	Louis Ng	2010/11/01	projection 	mm 	size	A4	scale	1:1		
tolerance std	ASME Y14.5	TOLERANCES UNLESS OTHERWISE SPECIFIED				eng			Nickor Zuo	2011/05/30	ecn no	ELX-DG-003943-1		
						chr			Alex Cao	2011/06/24		rel level	Released	
-		appr	Pei-Ming Zheng	2011/06/27	product family			GIG-Array						
surface		linear	0.X	±0.30		title	GIG-Array (SELECT LOAD) 12mm PLUG ASSY			dwg no	10082972		rev	B
			0.XX	±0.10										
			0.XXX	±0.05										
-	-	angular	0°	±2°	www.fci.com	cat. no.	Product - Customer Drw			sheet 3 of 5				



Copyright FCI.

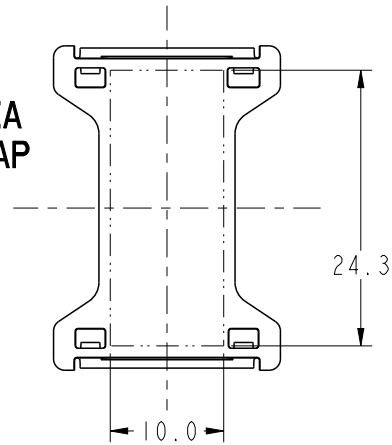
PreE File - REV C - 2009-06-09

2

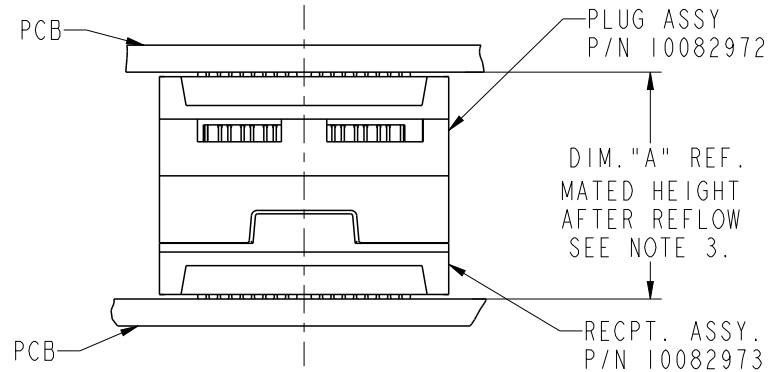
3

4

FLAT AREA
PICK-UP CAP



SCALE 3:2



SCALE 3:2

END VIEW OF MATED CONNECTORS



Copyright FCI.

spec ref		-		dr	Louis Ng	2010/11/01	projection 	mm 	size	A4	scale	1:1
tolerance std	ASME Y14.5	TOLERANCES UNLESS OTHERWISE SPECIFIED		eng	Nickor Zuo	2011/05/30			ecn no	ELX-DG-003943-1		
				chr	Alex Cao	2011/06/24				rel level	Released	
surface		linear	0.X	±0.30	FCI	title	GIG-Array (SELECT LOAD)	dwg no	10082972	rev	B	
			0.XX	±0.10								
			0.XXX	±0.05	www.fci.com	cat. no.	Product - Customer Drw	sheet 4 of 5				
		angular	0°	±2°								

PRODUCT NUMBER	SOLDER BALL COMPOSITION	CONTACT PLATING PERFORMANCE LEVEL
10082972-001	STANDARD (EUTECTIC)	PERFORMANCE-BASED PLATING, QUALIFIED TO MEET THE REQUIREMENTS OF FCI PRODUCT SPECIFICATION GS-12-192, INCLUDING TELCORDIA CENTRAL OFFICE
10082972-001LF	LEADFREE	

NOTES:

- ①. MATERIAL:
HOUSING: LCP
CONTACT: COPPER ALLOY
PLATING (CONTACT): Au OVER Ni.
UL RATING: 94 V-0
- ②. SOLDER BALLS WILL NOT BE PERFECT SPHERICAL SHAPE DUE TO REFLOW ATTACHMENT.
- ③. MATED HEIGHT EFFECTED BY CUSTOMERS' PCB PAD SIZE, PLATING, SOLDER REFLOW PROFILE & SOLDER PASTE.
- ④. CONTACTS IN ROWS A,C,E,G,J,K,M,P,R AND T) ARE SINGLE BEAM CONTACTS, TYPICALLY USED AS GROUND PINS. (NOTE: CONTACTS IN ROWS J & K ARE TIED TOGETHER [COMMONED])
- ⑤. CONTACTS IN ROWS B,D,F,H,L,N,Q AND S ARE DUAL BEAM CONTACTS, TYPICALLY USED AS SIGNAL PINS.
- ⑥. SPECIFIED POSITIONAL TOLERANCE DEFINES PAD TO PAD LOCATION WITHIN LAND PATTERN. POSITIONAL TOLERANCE OF LAND PATTERN TO FUDICIAL MARKS OR PCB DATUMS SHALL BE DEFINED BY CUSTOMER. FOR RECOMMENDED PRODUCT APPLICATION AND PCB DESIGN DETAILS, SEE DOC. NO. GS-20-016.
- ⑦. FOR PROPER APPLICATION FOLLOW FCI APPLICATION SPECIFICATION GS-20-033 LEADFREE SOLDER BALLS WILL NOT SOLDER PROPERLY IN A LEADED SOLDER PROCESS DUE TO A HIGHER REFLOW TEMPERATURE, LEADFREE PRODUCT IS THEREFORE NOT BACKWARDS COMPATIBLE WITH LEADED OR SOME SOLDERING APPLICATIONS. REFERENCE FCI APPLICATION SPECIFICATION.
- ⑧. THIS PRODUCT MEETS THE EUROPEAN UNION DIRECTIVES AND OTHER COUNTRY REGULATIONS AS DESCRIBED IN GS-22-008. PRODUCT MEETING WITH THES DIRECTIVE IS IDENTIFIED IN THE LOT CODE NUMBER MARKED ON EACH PART BY HAVING AN "X" IN THE SEVENTH CHARACTER POSITION.



Copyright FCI.

spec ref	-	dr	Louis Ng	2010/11/01	projection 	mm 	size	A4	scale	1:1	
tolerance std	TOLERANCES UNLESS OTHERWISE SPECIFIED	eng	Nickor Zuo	2011/05/30			ecn no	ELX-DG-003943-1			
ASME Y14.5		chr	Alex Cao	2011/06/24			product family	GIG-Array	rel level	Released	
surface	linear	appr	Pei-Ming Zheng	2011/06/27	title	GIG-Array (SELECT LOAD) 12mm PLUG ASSY	dwg no	10082972	rev	B	
-		angular	0°	±2°							www.fci.com