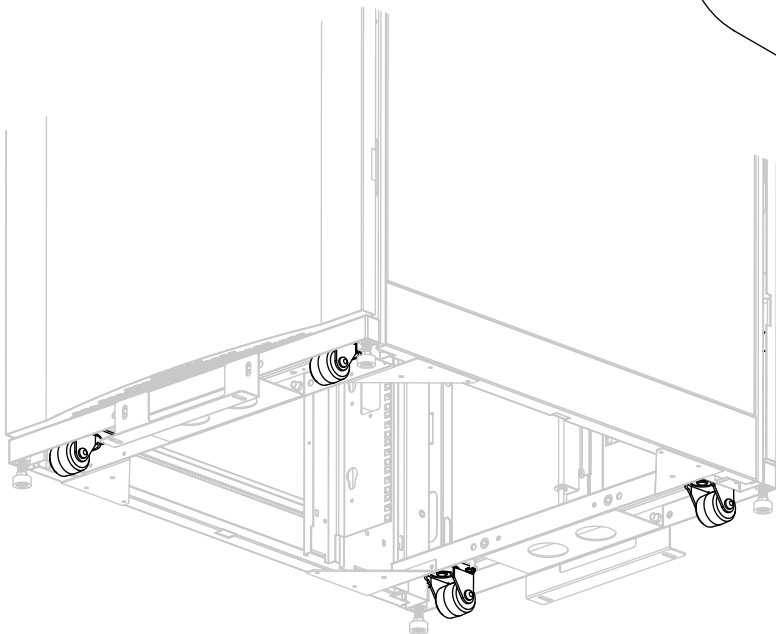
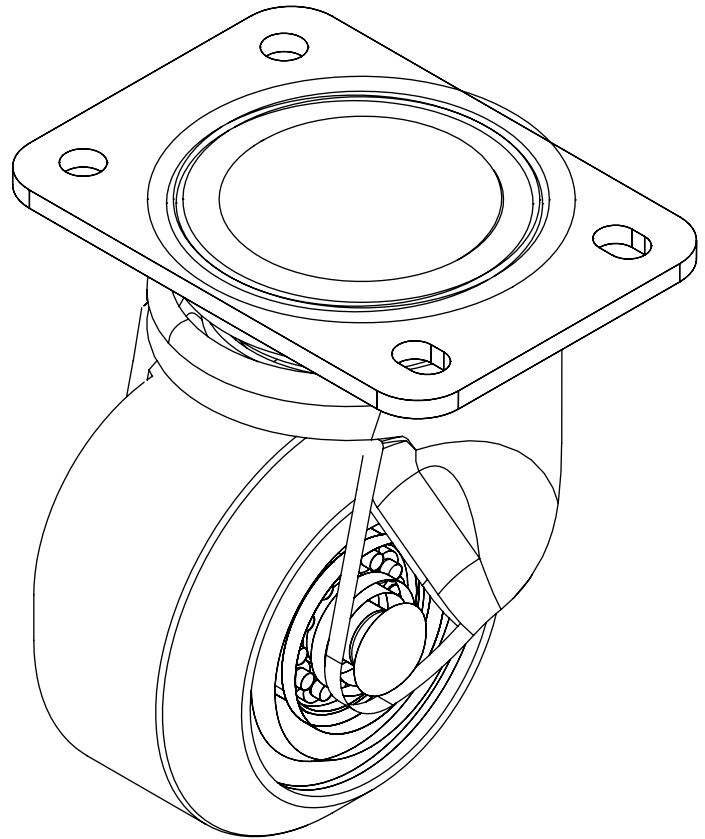


MODEL:

# SRCASTERHDKIT

## SmartRack® Heavy-Duty Rolling Caster Kit—4 Pack

SRCASTERHDKIT is a heavy-duty rolling caster kit that converts stationary rack enclosures and 4-post open frame racks into mobile rolling racks. The heavy-duty casters (750 lbs. per caster rating) allow for a weight limit of 3,000 lb., both stationary and rolling. The kit includes 4 casters and mounting hardware.



### Specifications

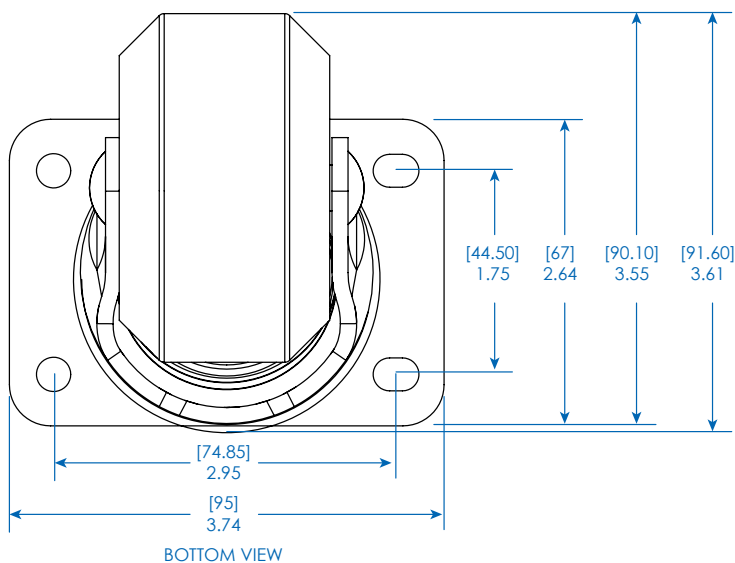
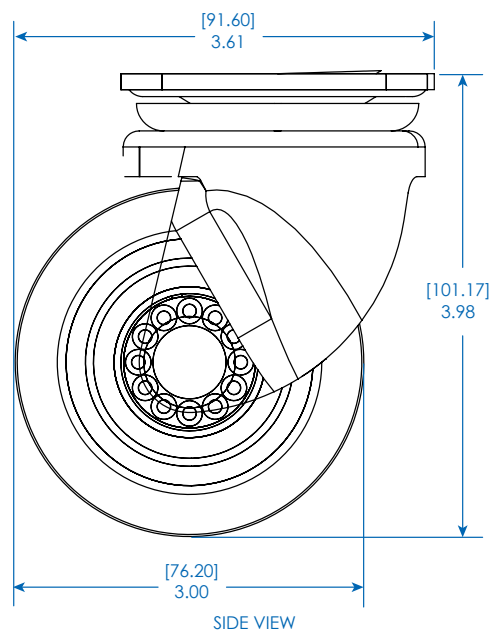
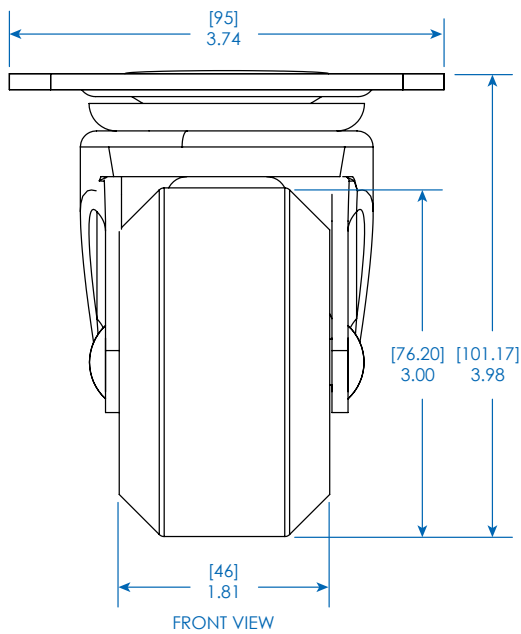
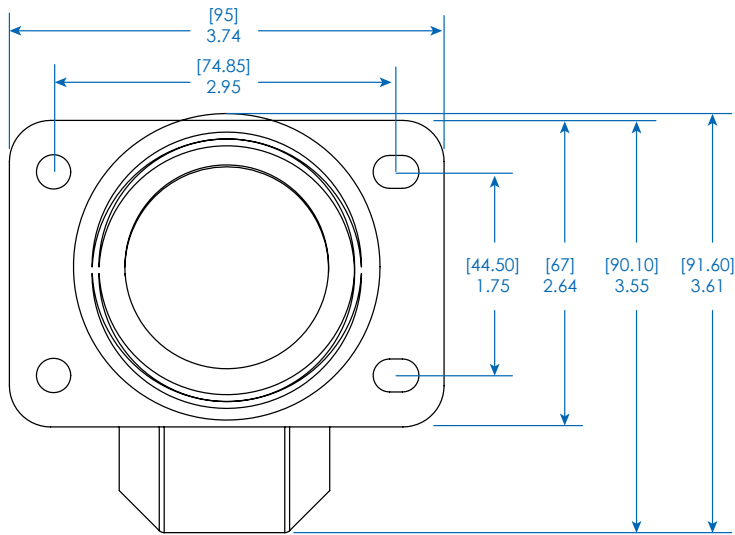
Model	SRCASTERHDKIT
Load Rating (per caster)	750 lb. (340 kg)
Shipping Dimensions (H x W x D)	12.6 x 4.72 x 4.92 (320 x 120 x 125 mm)
Shipping Weight	6.2 lb. (2.8 kg)
Standards	Tested to RoHS

Tripp Lite has a policy of continuous improvement. Specifications are subject to change without notice.

SEE NEXT PAGE FOR DETAILED UNIT MEASUREMENTS



1111 W. 35th Street  
Chicago, IL 60609 USA  
773.869.1234  
[www.tripplite.com](http://www.tripplite.com)



MODEL:  
**SRCASTERHDKIT**



1111 W. 35th Street  
Chicago, IL 60609 USA  
773.869.1234  
[www.tripplite.com](http://www.tripplite.com)

Dimensions: [mm] INCHES

Tripp Lite has a policy of continuous improvement. Specifications are subject to change without notice.