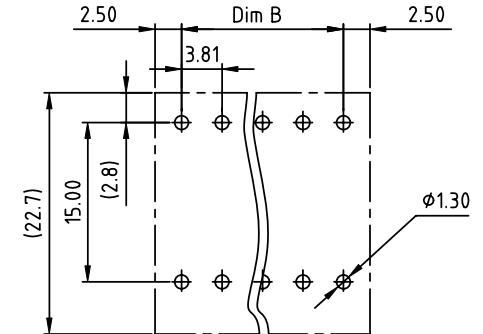
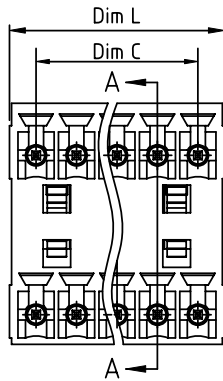
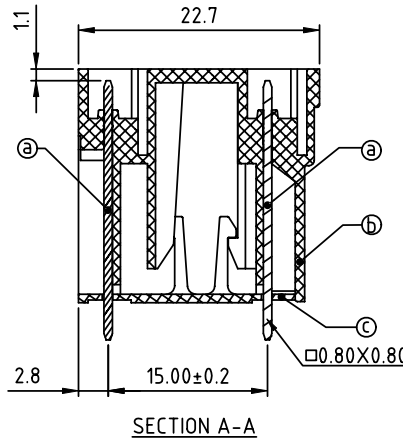
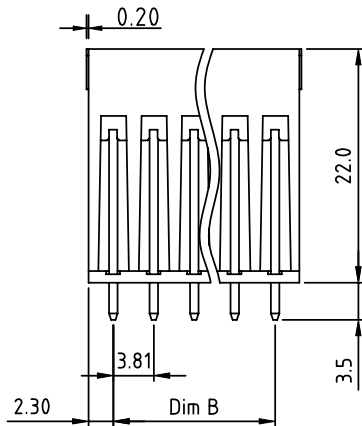


PRODUCT NUMBER	PITCH
VLxx31x000J0G	3.81 mm



RECOMMENDED P.C.B LAYOUT  
TOP VIEW



- Material:
- Item a Pin: Copper Tin plated
  - Item b Terminal(housing):Thermoplastic (UL94V-0)
  - Item c Terminal(cover):Thermoplastic (UL94V-0)
- Electrical: cULus
- Voltage rating: 300V
  - Current rating: 10A
  - Withstanding Voltage: 1.6 KV
  - Operating temperature: -40°C to +115°C
  - Soldering temperature: 260°C±5°C/5 Sec
  - Safety Approval:

PART NO.: VL xx 3 1 x 0 00J0 G

N=NUMBER OF POLES  
Dim L=(N/2-1)×3.81+5.0  
Dim B=(N/2-1)×3.81  
Dim C=(N/2-1)×3.81

POLES	Tolerance
2×2P-2×4P	±0.15
2×5P-2×8P	±0.20
2×9P-2×13P	±0.25
2×14P-2×17P	±0.30
2×18P-2×24P	±0.35

Solid block	No. of poles	Color	RoHS compliant (lead<4%) In copper Alloy
0	2	Black (RAL9005)	
2	2x2poles	Red (RAL3001/D)	
3	3	Orange(RAL2011/P)	
4	2x3poles	Yellow(RAL1018/A)	
5	...	Green(RAL6018/T)	
6	48 2x24poles	Blue (RAL5015/A)	
8		Grey(RAL7035/D)	
9		White(RAL1102)	
C		Green(RAL6018/U)	

mat'l. code		surface ASME Y14.5	tolerance ASME Y14.5	projection	product family
ltr	ecn no	dr	date		TERMINAL BLOCK
				MM	title
				scale	TERMINAL BLOCK
				dr	PLUGGABLE SOCKET,VERTICAL
				enr	dwg no
				chr	sheet 1 of 1
				appd	size
					VLxx31x000J0G
				type	A4
					CUSTOMER Drawing
sheet index	revision	A			
	sheet	1			