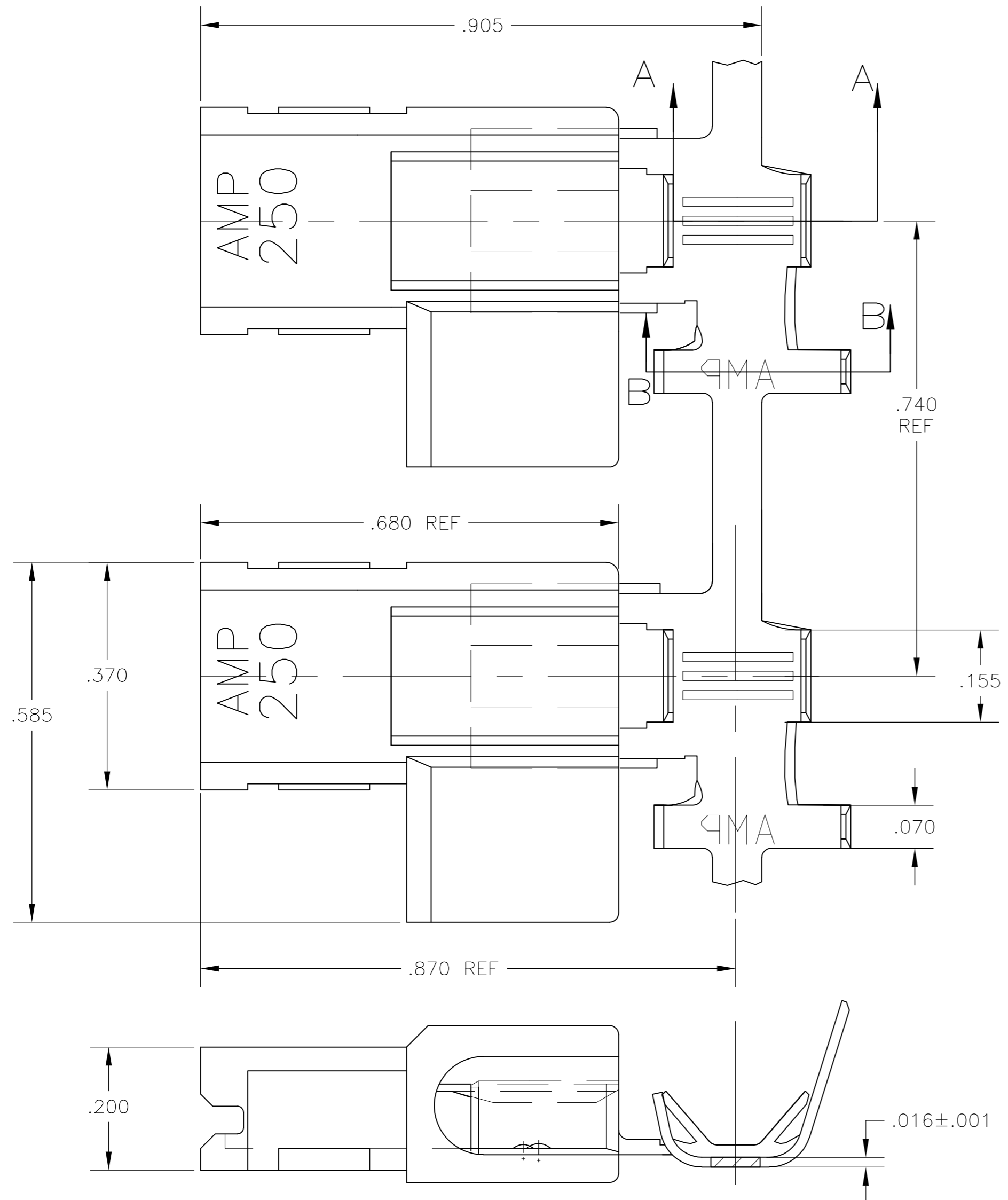
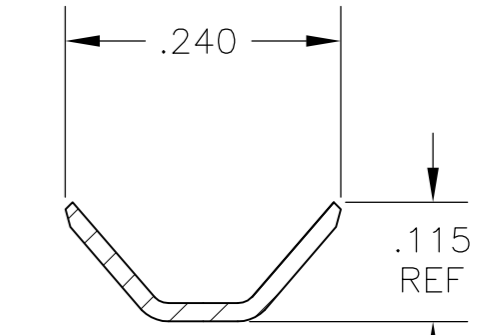
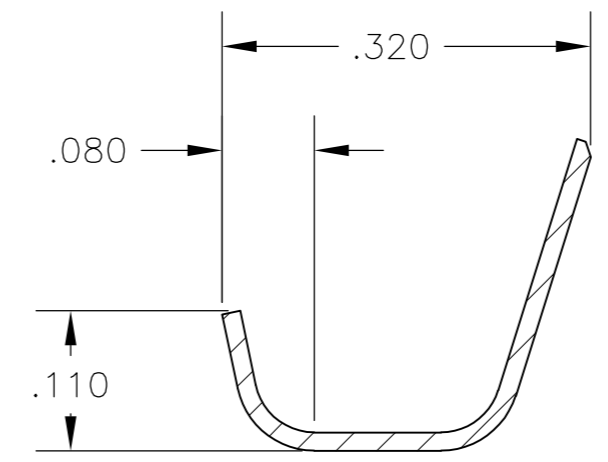


THIS DRAWING IS UNPUBLISHED. RELEASED FOR PUBLICATION  
 © COPYRIGHT BY TYCO ELECTRONICS CORPORATION. ALL RIGHTS RESERVED.

Loc		DIST		REVISIONS					
AF		50		P	LTR	DESCRIPTION	DATE	DWN	APVD
				A2		REV PER ECR 10-005376	11MAR10	JR	GP

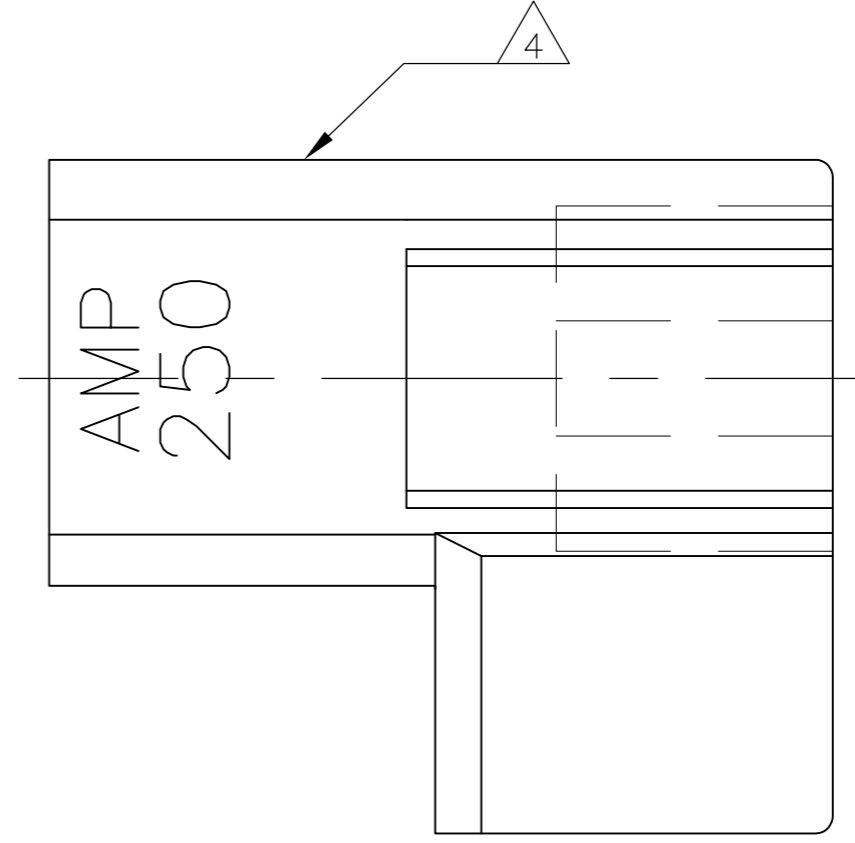


- 1 CONTINUOUS STRIP ON REELS.
- 2 INSULATION RANGE TO BE .110-.160 OR TWO AT .110 MAX DIA.
- 3 WIRE SIZE IS [#18-#14 OR TWO #20'S OR TWO #18'S].
- △4 ALTERNATE HOUSING FORM
- △5 PRELIMINARY - NOT FOR PRODUCTION.
- △6 GLOW WIRE APPROVED; CONTACT TE ENGINEERING FOR SPECIFICATION (ALL WALL THICKNESSES ARE BETWEEN 0.4-3.0[.015-.118])



SECTION A-A

SECTION B-B



V2 NYLON / NATURAL (WHITE)	BRASS / TIN PLATED	△6	1969110-2
V2 NYLON / NATURAL (WHITE)	BRASS / PLAIN	△5	1969110-1
HOUSING MATERIAL / COLOR		TERMINAL MATERIAL / FINISH	
PART NO		PART NO	
THIS DRAWING IS A CONTROLLED DOCUMENT.		DWN RAGHAVENDRA 05APR2007 CHK G D PORTA 05APR2007 APVD G D PORTA 05APR2007	
DIMENSIONS: INCHES		TOLERANCES UNLESS OTHERWISE SPECIFIED: 0 PLC ± - 1 PLC ± - 2 PLC ± - 3 PLC ± .010 4 PLC ± - ANGLES ± - FINISH SEE TABLE	
MATERIAL SEE TABLE		FINISH SEE TABLE	
CUSTOMER DRAWING		NAME: ASSEMBLY, RECEPTACLE, FLAG, ULTRA-POD, .250SERIES	
SCALE 6:1		SHEET 1 OF 1	
REV A2		RESTRICTED TO	

1969110