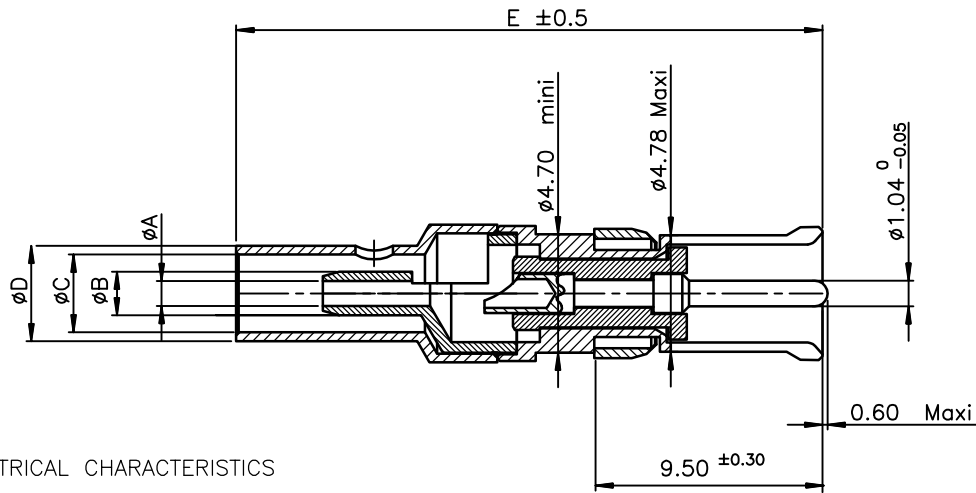


DM537425000NCLF	STRAIGHT SOCKET COAXIAL CONTACT	1.00	1.75	2.32	3.20	22.30	RG 178 B/U RG 196 A/U
DM537425002NCLF	STRAIGHT SOCKET COAXIAL CONTACT	2.75	4.00	5.09	5.95	26.80	RG 195 A/U RG 180 B/U
DM537425004NCLF	STRAIGHT SOCKET COAXIAL CONTACT	3.15	4.00	5.09	5.95	26.80	RG 58 C/U
DM537425006NCLF	STRAIGHT SOCKET COAXIAL CONTACT	0.98	1.77	2.30	3.22	24.10	RG 178 B/U RG 196 A/U
DM537425001NCLF	STRAIGHT SOCKET COAXIAL CONTACT	1.70	2.46	3.13	3.84	24.10	RG 188 A/U RG 179 B/U RG 316 /U
PART NUMBER	DESIGNATION	$\phi A^{+0.10}_0$	$\phi B^{\pm 0.05}$	$\phi C^{+0.10}_0$	$\phi D^{\pm 0.10}$	E	CABLE REF.



NOTE:RoHS INFORMATIONS

- The "LF" product meets European union Directives and other country regulations as described in GS-22-008.
- The product is not intended to be exposed to a manufacturing solder process.
- Packaging spec: see GS-14-920.

ELECTRICAL CHARACTERISTICS

- Impedance: 50 Ohm
- Working frequency: 1GHz max
- Dielectric with standing voltage: 600V
- Insulation resistance 5000: 14 Ohm
- Contact resistance < 5 mOhm
- Insertion lost: < 0.2 dB

MECHANICAL CHARACTERISTICS

- Mating force per set of contact 0.4 N to 9 N
- Mating endurance 500
- Temperature -55°C to +125 °C

TOOLING

- Coaxial contact extraction tool 8630-07A

rev	ecn no	dr	date
A	LS05-0086	MPE	2005/10/14
B	LS05-0107	MPE	2005/12/20
C	LS07-000	LGO	2007/01/09
D	F10-0086	LSA	2010/08/20
-	-	-	-
-	-	-	-
-	-	-	-

www.fciconnect.com		surface ISO 1302 ✓	tolerance std ISO 406 ISO 1101	projection mm
Dr PESSION 2005/10/14		TOLERANCES UNLESS OTHERWISE SPECIFIED		size A3
Eng PESSION 2005/10/14	Chr LEGARE 2005/10/14	ANGULAR	LINEAR	Scale 5
Appr LEGARE 2005/10/14	Product family	0.X	0.XX	ECN F10-0086
	D-SUB	0.XXX	±0.1	Spec ref -
FCJ		title STRAIGHT SOCKET COAXIAL CONTACT		Rev. D
		SOLDER TO CABLE		dwg no C01-8639-2157
catalog no		CUSTOMER		sheet 1 of 1

Copyright FCI. FCI