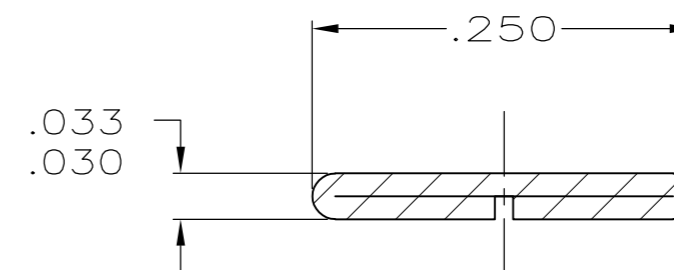
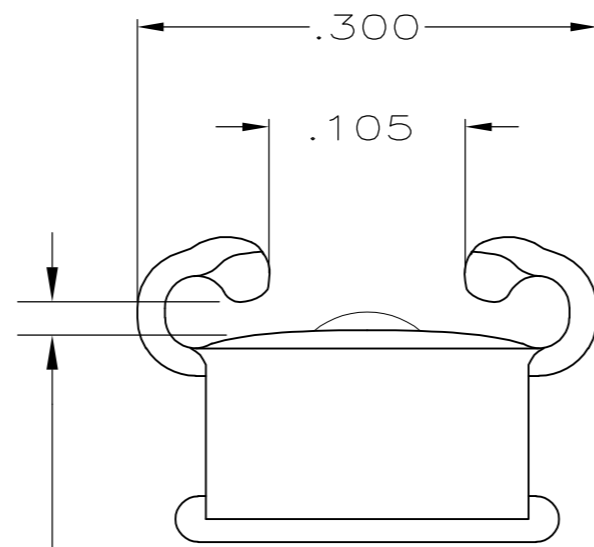
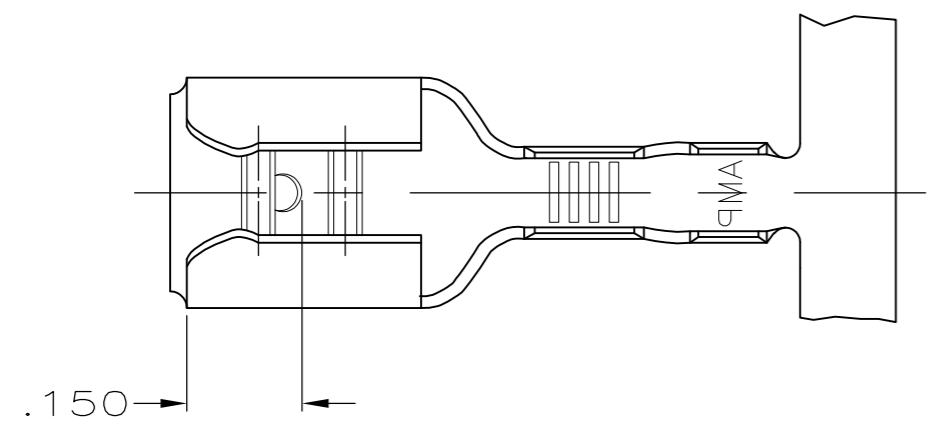


THIS DRAWING IS UNPUBLISHED. RELEASED FOR PUBLICATION  
 © COPYRIGHT - By - ALL RIGHTS RESERVED.

LOC		DIST		REVISIONS			
P	LTR	DESCRIPTION		DATE	DWN	APVD	
AF	50	G		REVISED PER ECR-12-013459	28NOV2012	KH	PD

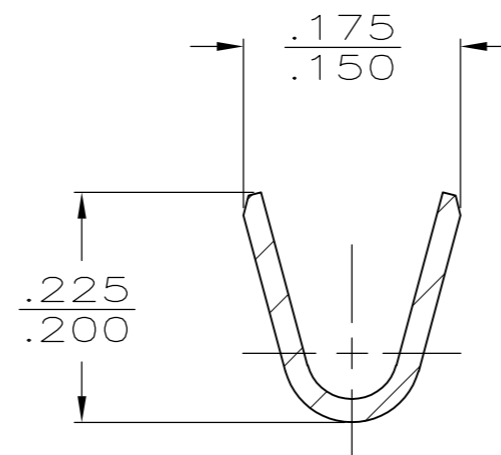
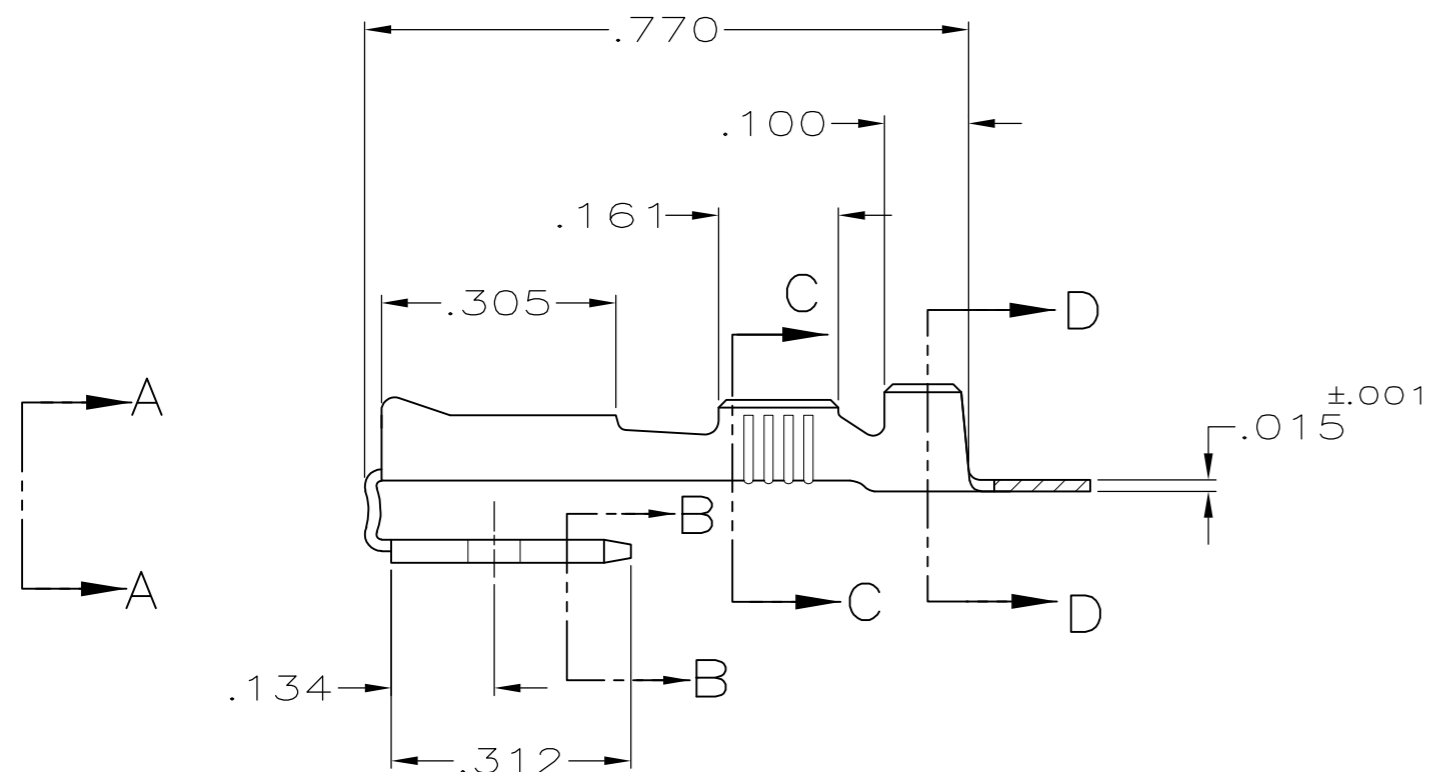
1 CONTINUOUS STRIP ON REELS



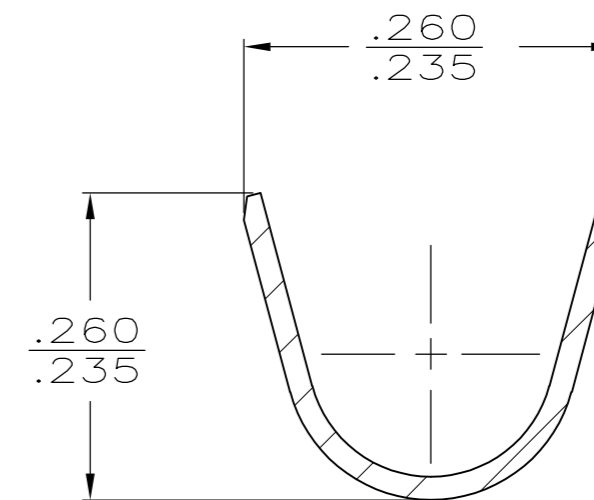
SECTION B-B  
SCALE 8:1

FITS .250 SERIES  
FASTON TAB

VIEW A-A  
SCALE 8:1



SECTION C-C  
SCALE 8:1



SECTION D-D  
SCALE 8:1

OBSOLETE	PRE-TIN	#4H BRASS	.150-.200	14-10	.032	62049-3
	TIN	BRASS	.150-.200	14-10	.032	62049-2
OBSOLETE	-	#4H BRASS	.150-.200	14-10	.032	62049-1
	FINISH	MATERIAL	INSULATION RANGE	WIRE SIZE	MATING TAB THK ±.001	PART NO

F	.220	.220	F	.130	.111	10
					.091	12
					.079	14
TYPE	WIDTH	STRIP LENGTH #.015	TYPE	WIDTH	#.002 HEIGHT	WIRE
INSUL BARREL CRIMP			WIRE BARREL CRIMP			

THIS DRAWING IS A CONTROLLED DOCUMENT.

DWN	JR RUTH	7/12/89
CHK	MS FEHER	7/12/89
APVD	C MEYERS	7/12/89
PRODUCT SPEC		
APPLICATION SPEC	114-2082	
WEIGHT	-	
CUSTOMER DRAWING		

**TE** TE Connectivity

RECEPTACLE, FASTON, PIGGYBACK, .250 SERIES

SIZE	CAGE CODE	DRAWING NO	RESTRICTED TO
A2	00779	C=62049	-
SCALE	4:1	SHEET	1 of 1
REV	G		