

PART No. PMH35GY

for more information visit
www.hammfg.com

Data subject to change without notice

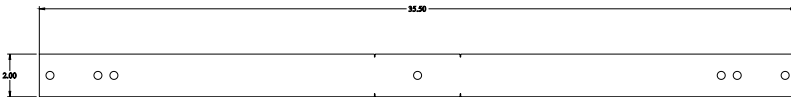
Isometric drawing Not to Scale



TOP VIEW



SIDE VIEW



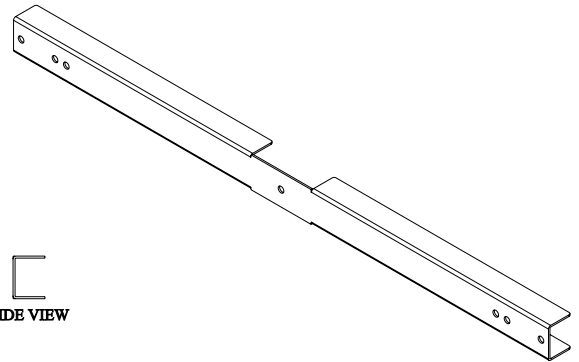
FRONT VIEW



SIDE VIEW



BOTTOM VIEW



ISOMETRIC VIEW