



### GENERAL DESCRIPTION

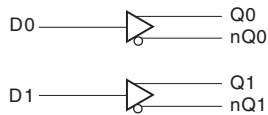


The ICS853P022 is a Dual LVCMOS / LVTTTL-to-Differential 3.3V LVPECL translator and a member of the HiPerClocks™ family of High Performance Clocks Solutions from ICS. The ICS853P022 has single ended clock inputs. The single ended clock input accepts LVCMOS or LVTTTL input levels and translate them to LVPECL levels. The small outline 8-pin TSSOP package makes this device ideal for applications where space, high performance and low power are important.

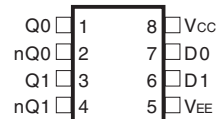
### FEATURES

- 2 differential 3.3V LVPECL outputs
- LVCMOS/LVTTTL clock inputs
- Maximum output frequency: 1.1GHz
- Part-to-part skew: 650ps (maximum)
- Propagation Delay: 320ps (typical)
- Additive phase jitter, RMS: 0.03ps (typical)
- LVPECL mode operating voltage supply range:  
 $V_{CC} = 3.0V$  to  $3.8V$ ,  $V_{EE} = 0V$
- ECL mode operating voltage supply range:  
 $V_{CC} = 0V$ ,  $V_{EE} = -3.8V$  to  $-3.0V$
- $-40^{\circ}C$  to  $85^{\circ}C$  ambient operating temperature
- Lead-Free package RoHS compliant

### BLOCK DIAGRAM



### PIN ASSIGNMENT



#### ICS853P022

##### 8-Lead TSSOP, 118 mil

3mm x 3mm x 0.95mm package body

##### G Package

Top View

##### 8-Lead SOIC, 150 mil

3.90mm x 4.90mm x 1.37mm package body

##### M Package

Top View



Integrated  
Circuit  
Systems, Inc.

# ICS853P022

## DUAL LVCMOS / LVTTTL-TO-DIFFERENTIAL 3.3V LVPECL TRANSLATOR

**TABLE 1. PIN DESCRIPTIONS**

Number	Name	Type	Description
1, 2	Q0, nQ0	Output	Differential output pair. LVPECL interface levels.
3, 4	Q1, nQ1	Output	Differential output pair. LVPECL interface levels.
5	V <sub>EE</sub>	Power	Negative supply pin.
6	D1	Input	LVCMOS / LVTTTL clock input.
7	D0	Input	LVCMOS / LVTTTL clock input.
8	V <sub>CC</sub>	Power	Positive supply pin.



### ABSOLUTE MAXIMUM RATINGS

Supply Voltage, $V_{CC}$	4.6V (LVPECL mode, $V_{EE} = 0$ )
Negative Supply Voltage, $V_{EE}$	-4.6V (ECL mode, $V_{CC} = 0$ )
Inputs, $V_I$ (LVPECL mode)	-0.5V to $V_{CC} + 0.5V$
Inputs, $V_I$ (ECL mode)	0.5V to $V_{EE} - 0.5V$
Outputs, $I_O$	
Continuous Current	50mA
Surge Current	100mA
Operating Temperature Range, $T_A$	-40°C to +85°C
Storage Temperature, $T_{STG}$	-65°C to 150°C
Package Thermal Impedance, $\theta_{JA}$ (Junction-to-Ambient)	101.7°C/W (0 m/s) TSSOP 112.7°C/W (0 lfpm) SOIC

**NOTE:** Stresses beyond those listed under Absolute Maximum Ratings may cause permanent damage to the device. These ratings are stress specifications only. Functional operation of product at these conditions or any conditions beyond those listed in the *DC Characteristics* or *AC Characteristics* is not implied. Exposure to absolute maximum rating conditions for extended periods may affect product reliability.

**TABLE 2A. POWER SUPPLY DC CHARACTERISTICS,  $V_{CC} = 3.0V$  TO  $3.8V$ ;  $V_{EE} = 0V$**

Symbol	Parameter	Test Conditions	Minimum	Typical	Maximum	Units
$V_{CC}$	Positive Supply Voltage		3.0	3.3	3.8	V
$I_{EE}$	Power Supply Current				35	mA

**TABLE 2B. LVCMOS/LVTTTL DC CHARACTERISTICS,  $V_{CC} = 3.0V$  TO  $3.8V$ ;  $V_{EE} = 0V$**

Symbol	Parameter	Test Conditions	Minimum	Typical	Maximum	Units
$V_{IH}$	Input High Voltage		$0.7 * V_{CC}$			V
$V_{IL}$	Input Low Voltage				$0.3 * V_{CC}$	V
$I_{IH}$	Input High Current	$V_{CC} = V_{IN} = 3.8V$			100	$\mu A$
$I_{IL}$	Input Low Current	$V_{CC} = 3.8V, V_{IN} = 0V$			-0.6	mA

**TABLE 2C. LVPECL DC CHARACTERISTICS,  $V_{CC} = 3.3V$ ;  $V_{EE} = 0V$**

Symbol	Parameter	-40°C			25°C			85°C			Units
		Min	Typ	Max	Min	Typ	Max	Min	Typ	Max	
$V_{OH}$	Output High Voltage; NOTE 1	2.175	2.275	2.38	2.225	2.295	2.37	2.295	2.33	2.365	V
$V_{OL}$	Output Low Voltage; NOTE 1	1.405	1.545	1.68	1.425	1.52	1.615	1.44	1.535	1.63	V

Output parameters vary 1:1 with  $V_{CC}$ .  $V_{CC}$  can vary +3.8V to 3.0V.

NOTE 1: Outputs terminated with 50 $\Omega$  to  $V_{CC} - 2V$ .



**TABLE 2D. ECL DC CHARACTERISTICS,  $V_{CC} = 0V$ ;  $V_{EE} = -3.8V$  TO  $-3.0V$**

Symbol	Parameter	-40°C			25°C			85°C			Units
		Min	Typ	Max	Min	Typ	Max	Min	Typ	Max	
$V_{OH}$	Output High Voltage; NOTE 1	-1.125	-1.025	-0.92	-1.075	-1.005	-0.93	-1.005	-0.97	-0.935	V
$V_{OL}$	Output Low Voltage; NOTE 1	-1.895	-1.755	-1.62	-1.875	-1.78	-1.685	-1.86	-1.765	-1.67	V

NOTE 1: Outputs terminated with  $50\Omega$  to  $V_{CC} - 2V$ .

**TABLE 3. AC CHARACTERISTICS,  $V_{CC} = 0V$ ;  $V_{EE} = -3.8V$  TO  $-3.0V$  OR  $V_{CC} = 3.0V$  TO  $3.8V$ ;  $V_{EE} = 0V$**

Symbol	Parameter	-40°C			25°C			85°C			Units
		Min	Typ	Max	Min	Typ	Max	Min	Typ	Max	
$f_{MAX}$	Output Frequency			1.1			1.1			1.1	GHz
$tp_{LH}$	Propagation Delay, Low to High; NOTE 1	125	320	600	180	320	475	190	300	410	ps
$tp_{HL}$	Propagation Delay, High to Low; NOTE 1	125	320	600	180	320	475	190	300	410	ps
$t_{sk(o)}$	Output Skew; NOTE 2, 4		12	55		12	50		12	50	ps
$t_{sk(pp)}$	Part-to-Part Skew; NOTE 3, 4			330			225			225	ps
$t_{jit}$	Buffer Additive Phase Jitter, RMS; refer to Additive Phase Jitter section		0.03			0.03			0.03		ps
$t_R/t_F$	Output Rise/Fall Time 20% to 80%	85	200	315	100	200	285	85	200	315	ps

All parameters are measured  $\leq 650MHz$  unless otherwise noted.

NOTE 1: Measured from the differential input crossing point to the differential output crossing point.

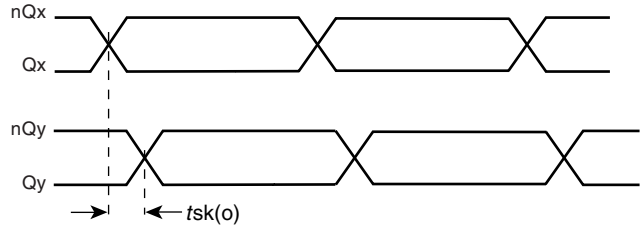
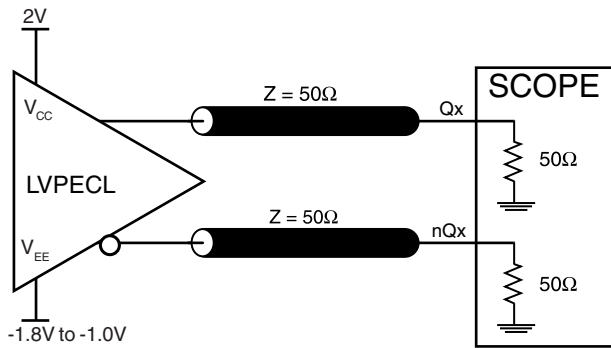
NOTE 2: Defined as skew between outputs at the same supply voltage and with equal load conditions. Measured at the output differential cross points.

NOTE 3: Defined as skew between outputs on different devices operating at the same supply voltages and with equal load conditions. Using the same type of inputs on each device, the outputs are measured at the differential cross points.

NOTE 4: This parameter is defined in accordance with JEDEC Standard 65.

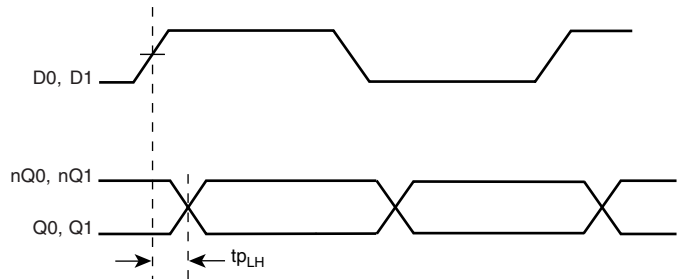
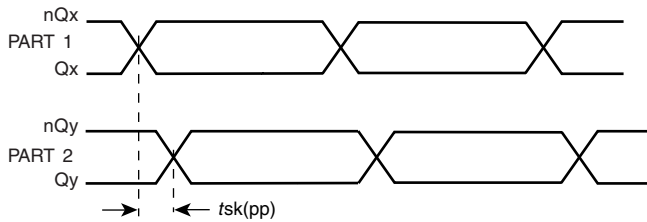


## PARAMETER MEASUREMENT INFORMATION



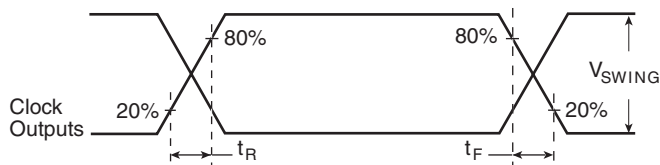
**OUTPUT LOAD AC TEST CIRCUIT**

**OUTPUT SKEW**



**PART-TO-PART SKEW**

**PROPAGATION DELAY**



**OUTPUT RISE/FALL TIME**



## APPLICATION INFORMATION

### TERMINATION FOR 3.3V LVPECL OUTPUTS

The clock layout topology shown below is a typical termination for LVPECL outputs. The two different layouts mentioned are recommended only as guidelines.

FOUT and nFOUT are low impedance follower outputs that generate ECL/LVPECL compatible outputs. Therefore, terminating resistors (DC current path to ground) or current sources must be used for functionality. These outputs are designed to drive

50Ω transmission lines. Matched impedance techniques should be used to maximize operating frequency and minimize signal distortion. *Figures 1A and 1B* show two different layouts which are recommended only as guidelines. Other suitable clock layouts may exist and it would be recommended that the board designers simulate to guarantee compatibility across all printed circuit and clock component process variations.

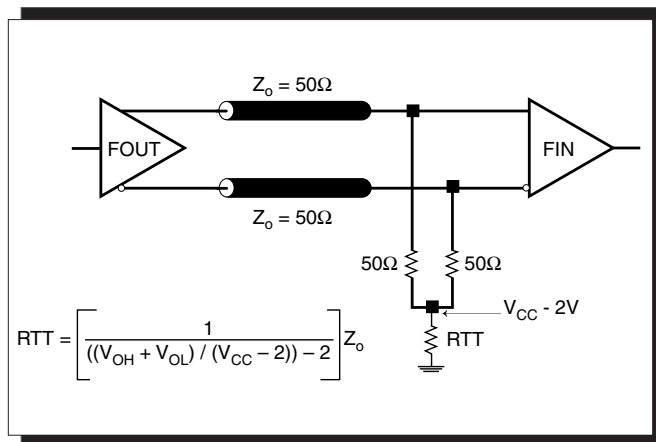


FIGURE 1A. LVPECL OUTPUT TERMINATION

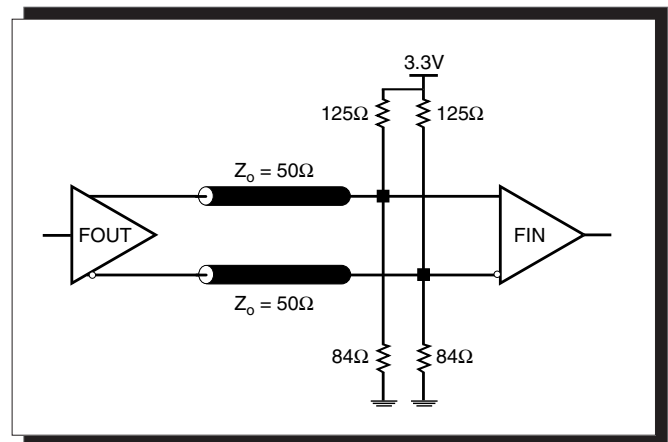


FIGURE 1B. LVPECL OUTPUT TERMINATION



## POWER CONSIDERATIONS

This section provides information on power dissipation and junction temperature for the ICS853P022. Equations and example calculations are also provided.

### 1. Power Dissipation.

The total power dissipation for the ICS853P022 is the sum of the core power plus the power dissipated in the load(s). The following is the power dissipation for  $V_{CC} = 3.8V$ , which gives worst case results.

**NOTE:** Please refer to Section 3 for details on calculating power dissipated in the load.

- Power (core)<sub>MAX</sub> =  $V_{CC\_MAX} * I_{EE\_MAX} = 3.8V * 35mA = 133mW$
- Power (outputs)<sub>MAX</sub> = **30.94mW/Loaded Output pair**  
If all outputs are loaded, the total power is  $2 * 30.94mW = 61.88mW$

**Total Power**<sub>MAX</sub> (3.8V, with all outputs switching) =  $133mW + 61.88mW = 194.88mW$

### 2. Junction Temperature.

Junction temperature,  $T_j$ , is the temperature at the junction of the bond wire and bond pad and directly affects the reliability of the device. The maximum recommended junction temperature for HiPerClockS™ devices is 125°C.

The equation for  $T_j$  is as follows:  $T_j = \theta_{JA} * Pd\_total + T_A$

$T_j$  = Junction Temperature

$\theta_{JA}$  = Junction-to-Ambient Thermal Resistance

$Pd\_total$  = Total Device Power Dissipation (example calculation is in section 1 above)

$T_A$  = Ambient Temperature

In order to calculate junction temperature, the appropriate junction-to-ambient thermal resistance  $\theta_{JA}$  must be used. Assuming a moderate air flow of 1 meters per second and a multi-layer board, the appropriate value is 90.5°C/W per Table 4A below.

Therefore,  $T_j$  for an ambient temperature of 85°C with all outputs switching is:

$85^\circ C + 0.195W * 90.5^\circ C/W = 102.6^\circ C$ . This is below the limit of 125°C.

This calculation is only an example.  $T_j$  will obviously vary depending on the number of loaded outputs, supply voltage, air flow, and the type of board (single layer or multi-layer).

**TABLE 4A. THERMAL RESISTANCE  $\theta_{JA}$  FOR 8-PIN TSSOP, FORCED CONVECTION**

$\theta_{JA}$ by Velocity (Meters per Second)			
	0	1	2
Multi-Layer PCB, JEDEC Standard Test Boards	101.7°C/W	90.5°C/W	89.8°C/W

**TABLE 4B. THERMAL RESISTANCE  $\theta_{JA}$  FOR 8 LEAD SOIC**

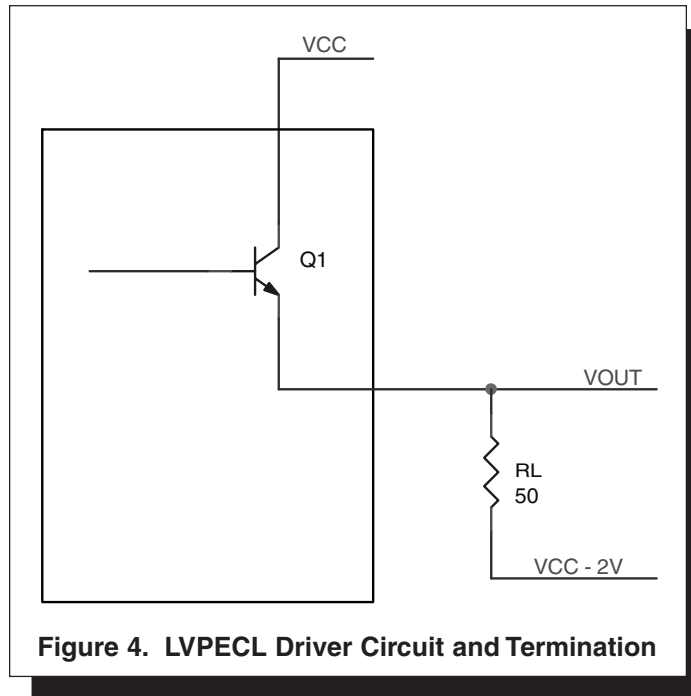
$\theta_{JA}$ by Velocity (Linear Feet per Minute)			
	0	200	500
Single-Layer PCB, JEDEC Standard Test Boards	153.3°C/W	128.5°C/W	115.5°C/W
Multi-Layer PCB, JEDEC Standard Test Boards	112.7°C/W	103.3°C/W	97.1°C/W

**NOTE:** Most modern PCB designs use multi-layered boards. The data in the second row pertains to most designs.



### 3. Calculations and Equations.

LVPECL output driver circuit and termination are shown in Figure 4.



**Figure 4. LVPECL Driver Circuit and Termination**

To calculate worst case power dissipation into the load, use the following equations which assume a 50Ω load, and a termination voltage of  $V_{CCO} - 2V$ .

- For logic high,  $V_{OUT} = V_{OH\_MAX} = V_{CCO\_MAX} - 0.935V$

$$(V_{CC\_MAX} - V_{OH\_MAX}) = 0.935V$$

- For logic low,  $V_{OUT} = V_{OL\_MAX} = V_{CCO\_MAX} - 1.67V$

$$(V_{CCO\_MAX} - V_{OL\_MAX}) = 1.67V$$

$$Pd\_H = [(V_{OH\_MAX} - (V_{CCO\_MAX} - 2V))/R_L] * (V_{CCO\_MAX} - V_{OH\_MAX}) = [(2V - (V_{CCO\_MAX} - V_{OH\_MAX}))/R_L] * (V_{CCO\_MAX} - V_{OH\_MAX}) = [(2V - 0.935V)/50\Omega] * 0.935V = 19.92mW$$

$$Pd\_L = [(V_{OL\_MAX} - (V_{CCO\_MAX} - 2V))/R_L] * (V_{CCO\_MAX} - V_{OL\_MAX}) = [(2V - (V_{CCO\_MAX} - V_{OL\_MAX}))/R_L] * (V_{CCO\_MAX} - V_{OL\_MAX}) = [(2V - 1.67V)/50\Omega] * 1.67V = 11.02mW$$

$$\text{Total Power Dissipation per output pair} = Pd\_H + Pd\_L = 30.94mW$$





## RELIABILITY INFORMATION

**TABLE 5A.  $\theta_{JA}$  VS. AIR FLOW TABLE FOR 8 LEAD TSSOP**

$\theta_{JA}$ by Velocity (Meters per Second)			
	0	1	2
Multi-Layer PCB, JEDEC Standard Test Boards	101.7°C/W	90.5°C/W	89.8°C/W

**TABLE 5B.  $\theta_{JA}$  VS. AIR FLOW TABLE FOR 8 LEAD SOIC**

$\theta_{JA}$ by Velocity (Linear Feet per Minute)			
	0	200	500
Single-Layer PCB, JEDEC Standard Test Boards	153.3°C/W	128.5°C/W	115.5°C/W
Multi-Layer PCB, JEDEC Standard Test Boards	112.7°C/W	103.3°C/W	97.1°C/W

**NOTE:** Most modern PCB designs use multi-layered boards. The data in the second row pertains to most designs.

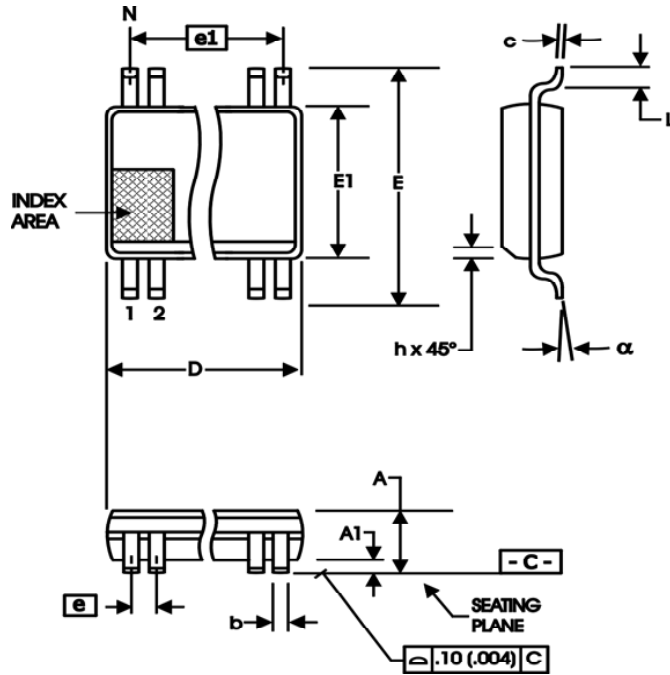
### TRANSISTOR COUNT

The transistor count for ICS853P022 is: 92

Pin compatible with MC100EPT22



PACKAGE OUTLINE - G SUFFIX FOR 8 LEAD TSSOP



PACKAGE OUTLINE - M SUFFIX FOR 8 LEAD SOIC

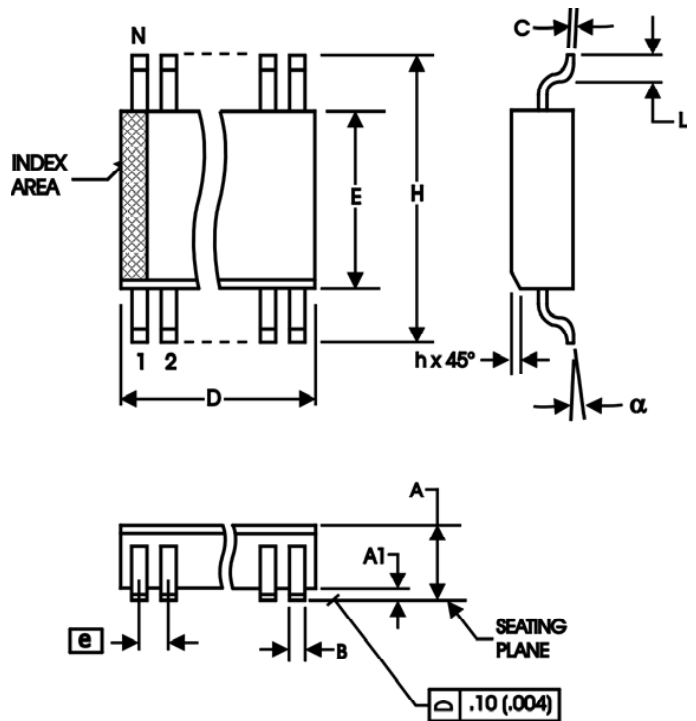


TABLE 6A. PACKAGE DIMENSIONS

SYMBOL	Millimeters	
	Minimum	Maximum
N	8	
A	--	1.10
A1	0	0.15
A2	0.79	0.97
b	0.22	0.38
c	0.08	0.23
D	3.00 BASIC	
E	4.90 BASIC	
E1	3.00 BASIC	
e	0.65 BASIC	
e1	1.95 BASIC	
L	0.40	0.80
$\alpha$	0°	8°
aaa	--	0.10

Reference Document: JEDEC Publication 95, MO-187

TABLE 6B. PACKAGE DIMENSIONS

SYMBOL	Millimeters	
	MINIMUM	MAXIMUM
N	8	
A	1.35	1.75
A1	0.10	0.25
B	0.33	0.51
C	0.19	0.25
D	4.80	5.00
E	3.80	4.00
e	1.27 BASIC	
H	5.80	6.20
h	0.25	0.50
L	0.40	1.27
$\alpha$	0°	8°



Integrated  
Circuit  
Systems, Inc.

# ICS853P022

## DUAL LVCMOS / LVTTTL-TO-DIFFERENTIAL 3.3V LVPECL TRANSLATOR

**TABLE 7. ORDERING INFORMATION**

Part/Order Number	Marking	Package	Count	Temperature
ICS853P022AG	P22A	8 lead TSSOP	96 per tube	-40°C to 85°C
ICS853P022AGT	P22A	8 lead TSSOP on Tape and Reel	2500	-40°C to 85°C
ICS853P022AGLF	P2AL	8 lead "Lead-Free" TSSOP	96 per tube	-40°C to 85°C
ICS853P022AGLFT	P2AL	8 lead "Lead-Free" TSSO on Tape and Reel	2500	-40°C to 85°C
ICS853P022AM	53P022A	8 lead SOIC	96 per tube	-40°C to 85°C
ICS853P022AMT	53P022A	8 lead SOIC on Tape and Reel	2500	-40°C to 85°C
ICS853P022AMLF	53P022AL	8 lead "Lead-Free" SOIC	96 per tube	-40°C to 85°C
ICS853P022AMLFT	53P022AL	8 lead "Lead-Free" SOIC on Tape and Reel	2500	-40°C to 85°C

The aforementioned trademark, HiPerClockS™ is a trademark of Integrated Circuit Systems, Inc. or its subsidiaries in the United States and/or other countries. While the information presented herein has been checked for both accuracy and reliability, Integrated Circuit Systems, Incorporated (ICS) assumes no responsibility for either its use or for infringement of any patents or other rights of third parties, which would result from its use. No other circuits, patents, or licenses are implied. This product is intended for use in normal commercial and industrial applications. Any other applications such as those requiring high reliability or other extraordinary environmental requirements are not recommended without additional processing by ICS. ICS reserves the right to change any circuitry or specifications without notice. ICS does not authorize or warrant any ICS product for use in life support devices or critical medical instruments.