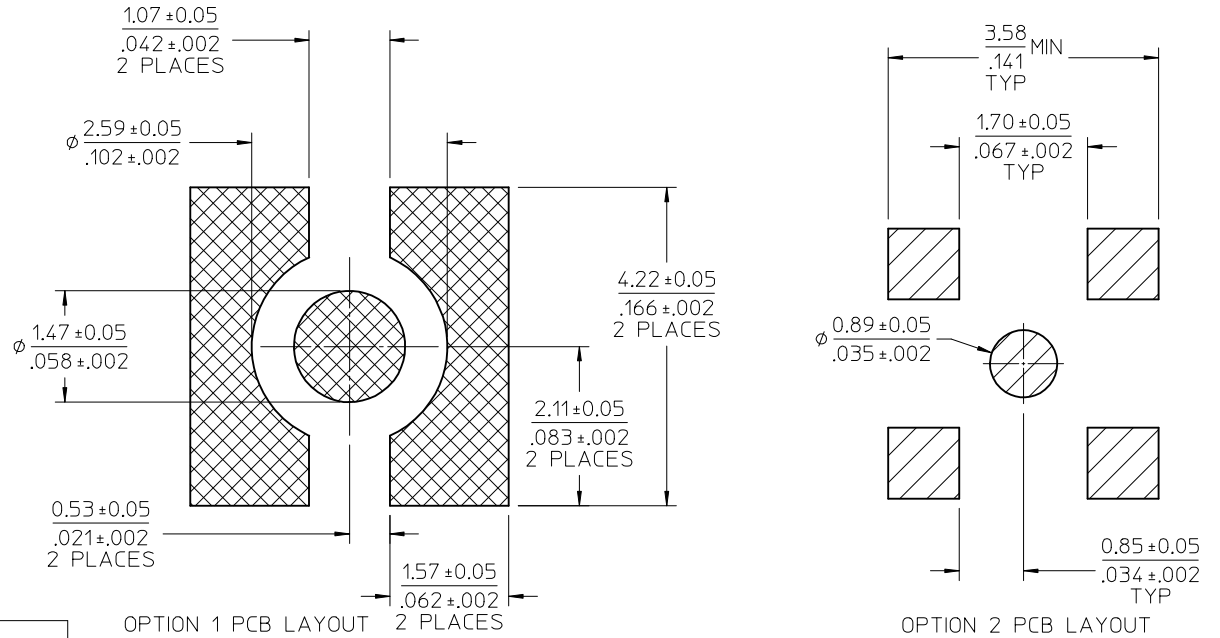
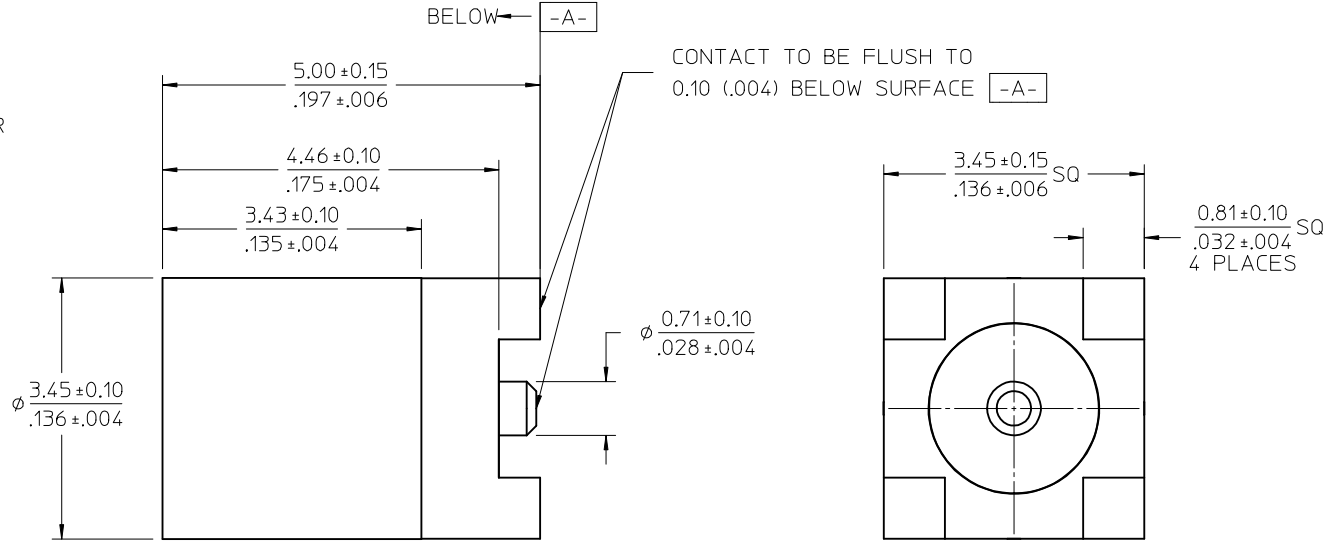
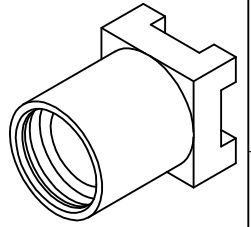


MATERIALS AND FINISHES

BODY BRASS
PLATED GOLD

CENTER CONTACT BERYLLIUM COPPER
PLATED GOLD

INSULATOR TEFLON



PS-89675-1920	ELECTRO/MECH PERFORM.
SPECIFICATION	DESCRIPTION

73415-2064	73415-2061. ONE PER BAG
73415-2063	73415-2061 WITH TAPE & REEL
73415-2062	73415-2060 WITH TAPE & REEL
73415-2061	PER COMMERCIAL REQUIREMENTS, PACKING TRAY
73415-2060	PER MILITARY REQUIREMENTS, PACKING TRAY
PART NO.	PLATING

OPTION 1 PCB LAYOUT

OPTION 2 PCB LAYOUT

CHG:73415-2060--2061
PACKING UPDATE TO
TRAY
EWR RF15-E384

EC NO: URF2016-0367
DRWN:YCHENG 2015/11/05
CHKD:
APPR:YCHENG 2015/11/09

QUALITY SYMBOLS
▽=0
▽=0
▽=0

GENERAL TOLERANCES (UNLESS SPECIFIED)

	mm	INCH
4 PLACES	± .005	± .0002
3 PLACES	± .004	± .00015
2 PLACES	± .003	± .0001
1 PLACE	± .002	± .000075
0 PLACE	± .001	± .00005

ANGULAR ± 2 °

DRAFT WHERE APPLICABLE
MUST REMAIN
WITHIN DIMENSIONS

DIMENSION STYLE
MM/IN

DRAWN BY	DATE
TEF	2000/04/18
CHECKED BY	DATE
SSS	2000/04/18
APPROVED BY	DATE
GMH	2000/04/18

MATERIAL NO.
SEE TABLE

SIZE
C

SCALE
DESIGN UNITS
METRIC

THIRD ANGLE PROJECTION

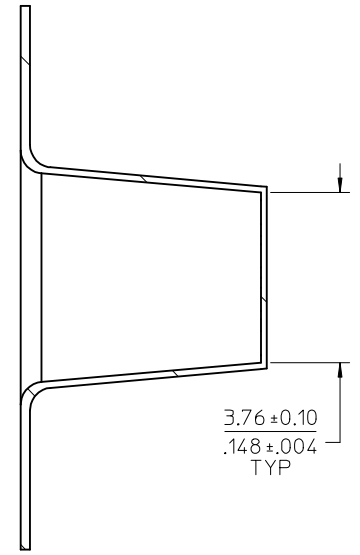
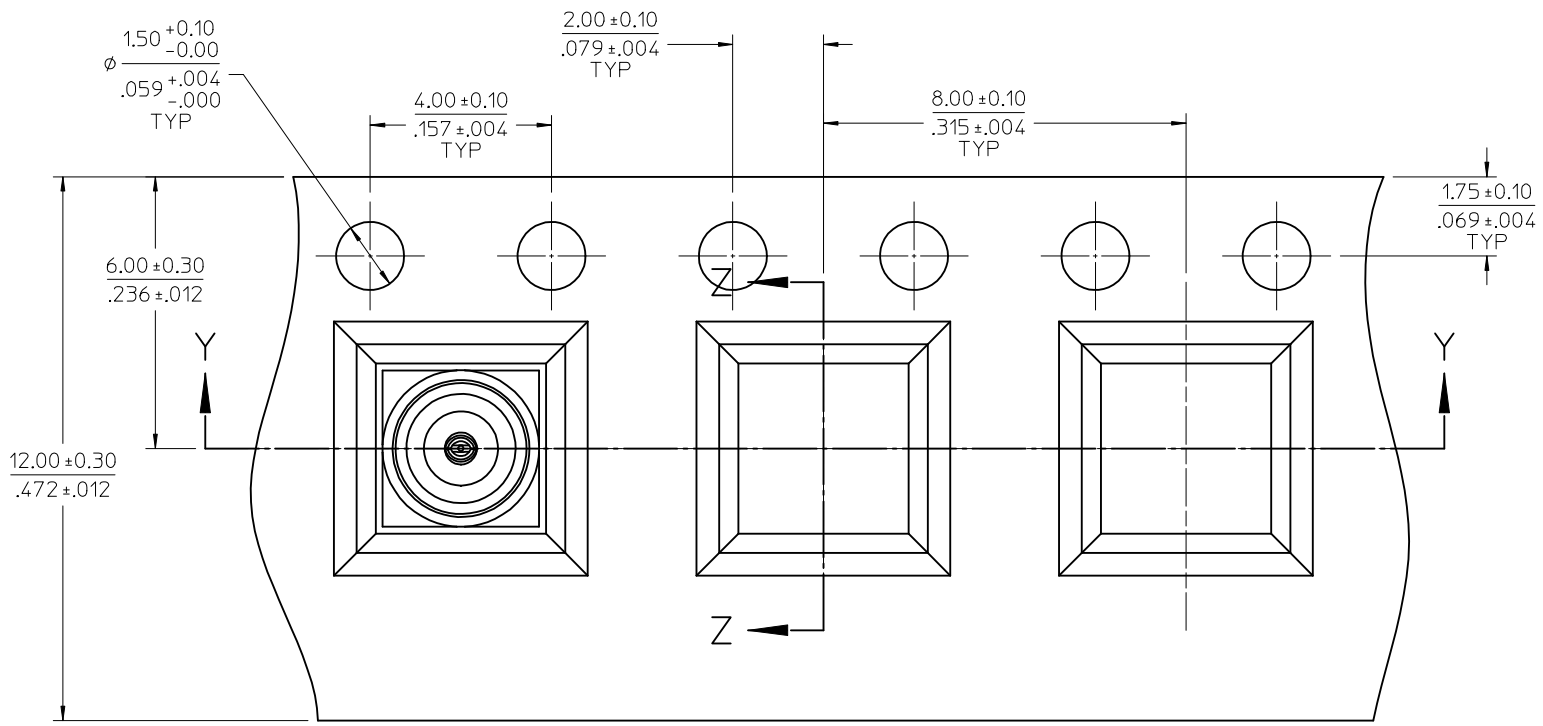
TITLE
**MMCX JACK, VERTICAL
PCB/SMT 50 OHMS
MMCX-J/PCB**

molex

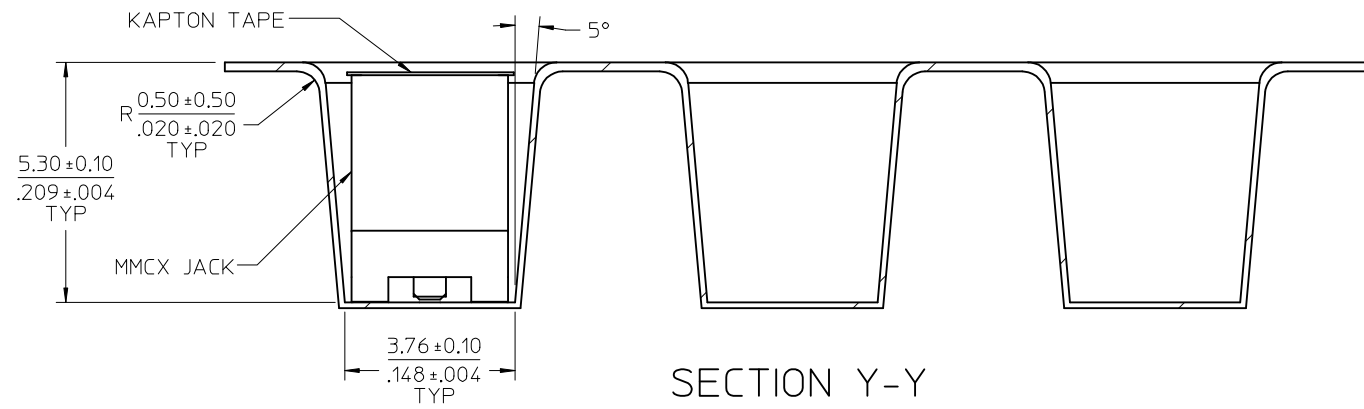
DOCUMENT NO.
SD-73415-206

SHEET NO.
1 OF 4

THIS DRAWING CONTAINS INFORMATION THAT IS PROPRIETARY TO MOLEX
INCORPORATED AND SHOULD NOT BE USED WITHOUT WRITTEN PERMISSION



SECTION Z-Z



SECTION Y-Y

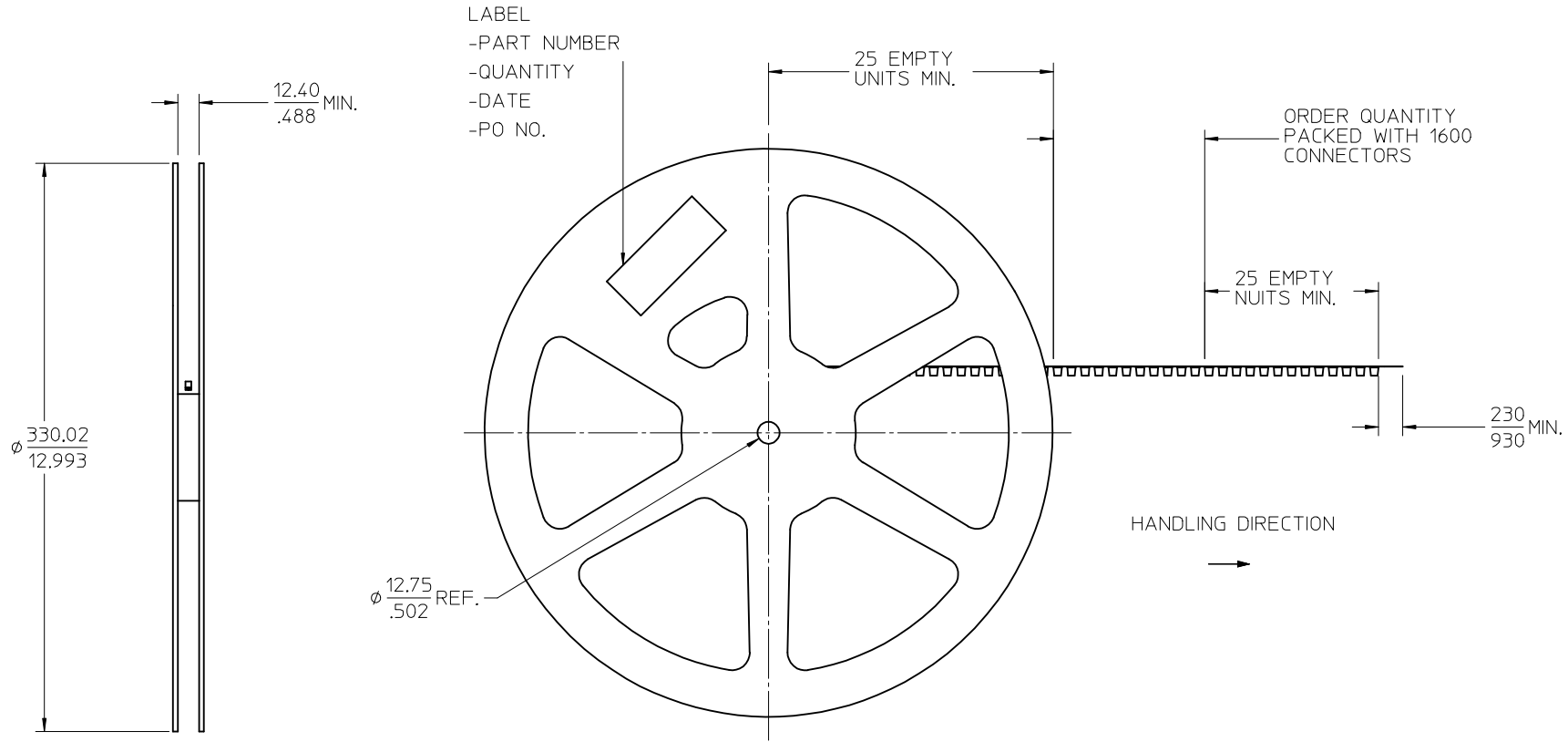
SEE SHEET 1	QUALITY SYMBOLS
EC NO: URF2016-0367	$\nabla = 0$
DRWN: YCHENG 2015/11/05	$\nabla = 0$
CHKD: YCHENG	$\nabla = 0$
APPR: YCHENG 2015/11/09	
REV	DESCRIPTION
B	

GENERAL TOLERANCES (UNLESS SPECIFIED)	
mm	INCH
4 PLACES \pm ---	\pm ---
3 PLACES \pm ---	\pm ---
2 PLACES \pm ---	\pm ---
1 PLACE \pm ---	\pm ---
0 PLACE \pm	\pm
ANGULAR $\pm 2^\circ$	
DRAFT WHERE APPLICABLE MUST REMAIN WITHIN DIMENSIONS	

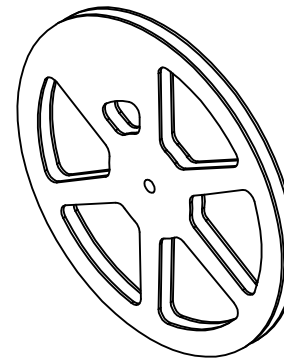
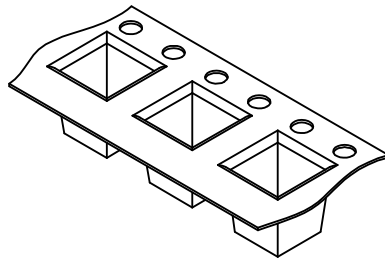
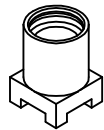
DIMENSION STYLE	
MM/IN	
DRAWN BY	DATE
TEF	2000/04/18
CHECKED BY	DATE
SSS	2000/04/18
APPROVED BY	DATE
GMH	2000/04/18
MATERIAL NO.	
SEE SHEET 1	
SIZE C	

SCALE	DESIGN UNITS	THIRD ANGLE PROJECTION
	METRIC	
TITLE		
MMCX JACK, VERTICAL		
PCB/SMT 50 OHMS		
MMCX-J/PCB		
molex		
DOCUMENT NO.	SHEET NO.	
SD-73415-206	2 OF 4	
THIS DRAWING CONTAINS INFORMATION THAT IS PROPRIETARY TO MOLEX INCORPORATED AND SHOULD NOT BE USED WITHOUT WRITTEN PERMISSION		

NOTE:
13" REEL SIZE FOR 1600 PIECES

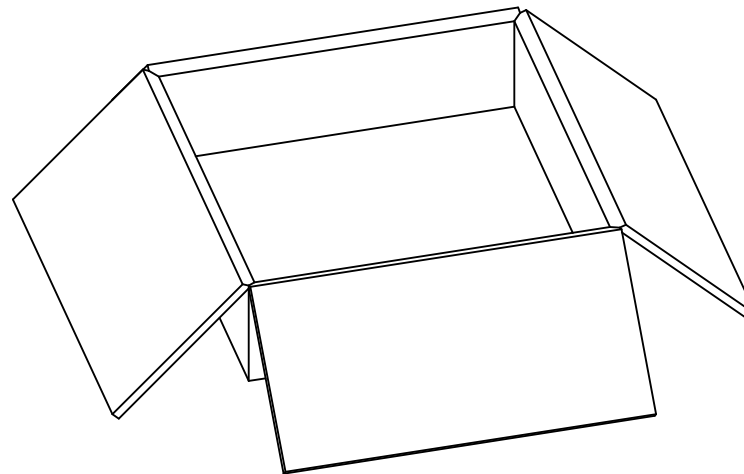


SEE SHEET 1 EC NO: URF2016-0367 DRAWN: YCHENG 2015/11/05 CHKD: APPR: YCHENG 2015/11/09	QUALITY SYMBOLS ▽=0 ▽=0 ▽=0	GENERAL TOLERANCES (UNLESS SPECIFIED)		DIMENSION STYLE MM/IN	SCALE	DESIGN UNITS METRIC	THIRD ANGLE PROJECTION										
		4 PLACES ± --- ± ---	3 PLACES ± --- ± ---	2 PLACES ± --- ± ---	1 PLACE ± --- ± ---	0 PLACE ± ±	ANGULAR ± 2 °	DRAFT WHERE APPLICABLE MUST REMAIN WITHIN DIMENSIONS	DRAWN BY TEF	DATE 2000/04/18	CHECKED BY SSS	DATE 2000/04/18	APPROVED BY GMH	DATE 2000/04/18	TITLE MMCX JACK, VERTICAL PCB/SMT 50 OHMS MMCX-J/PCB	molex	MATERIAL NO. SEE SHEET 1



PART NO.
73415-2062/73415-2063

1600 SET PER 13" REEL



8000 CONNECTORS PER
OUTER CARTON BOX
339 X 339 X 100 REF.

SEE SHEET 1 EC NO: URF2016-0367 DRAWN: YCHENG 2015/11/05 CHKD: APPR: YCHENG 2015/11/09	QUALITY SYMBOLS	GENERAL TOLERANCES (UNLESS SPECIFIED)		DIMENSION STYLE MM/IN		SCALE	DESIGN UNITS METRIC	THIRD ANGLE PROJECTION	
	▽=0	mm	INCH	DRAWN BY	DATE	TITLE	MMCX JACK, VERTICAL PCB/SMT 50 OHMS MMCX-J/PCB molex		
	▽=0	4 PLACES ±	3 PLACES ±	TEF	2000/04/18				
	▽=0	3 PLACES ±	2 PLACES ±	CHECKED BY	DATE				
▽=0	2 PLACES ±	1 PLACE ±	SSS	2000/04/18					
	1 PLACE ±	0 PLACE ±	APPROVED BY	DATE					
			GMH	2000/04/18					
			ANGULAR ± 2 °		MATERIAL NO.	DOCUMENT NO.		SHEET NO.	
			DRAFT WHERE APPLICABLE MUST REMAIN WITHIN DIMENSIONS		SEE SHEET 1	SD-73415-206		4 OF 4	
			THIS DRAWING CONTAINS INFORMATION THAT IS PROPRIETARY TO MOLEX INCORPORATED AND SHOULD NOT BE USED WITHOUT WRITTEN PERMISSION						