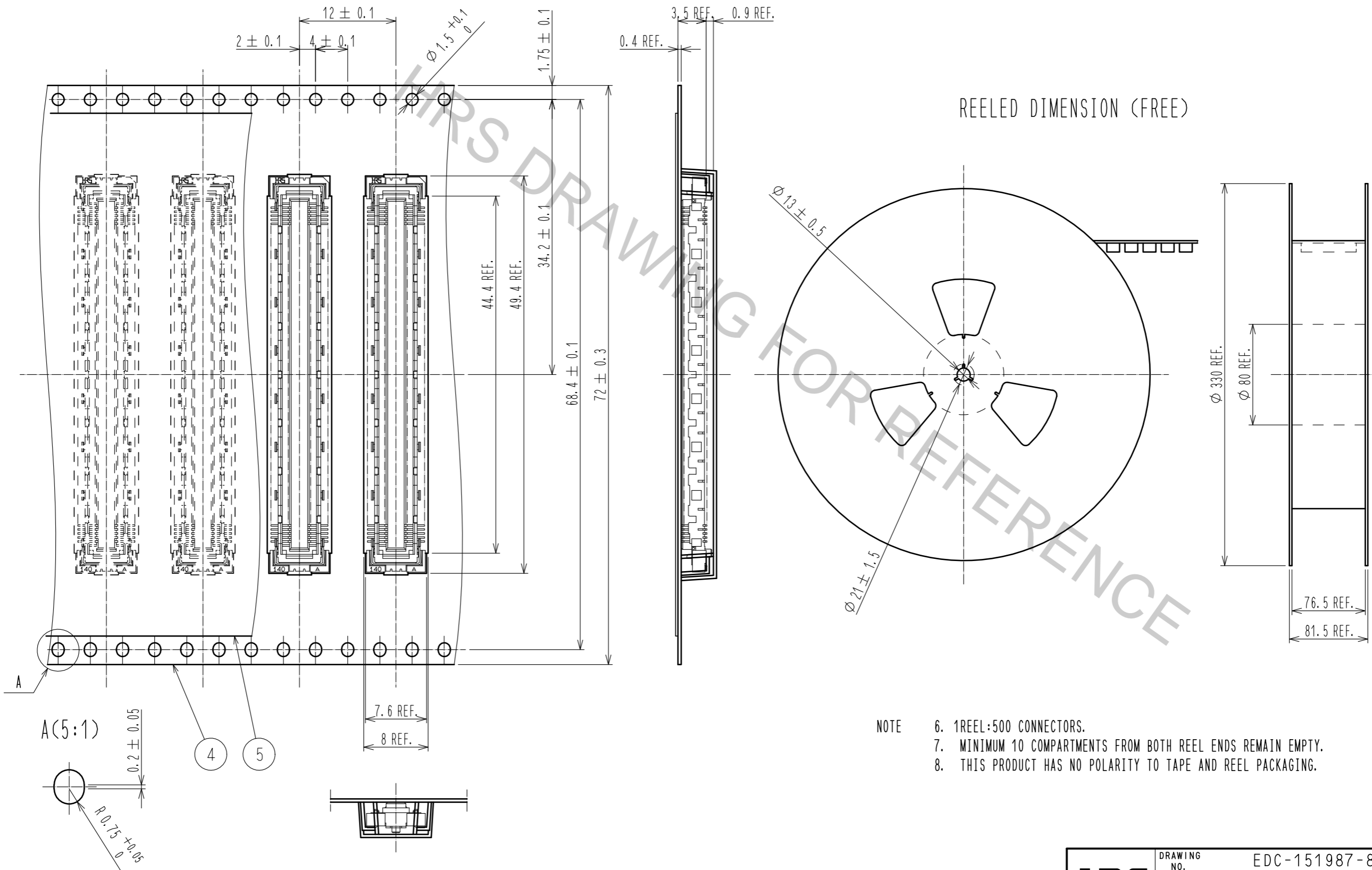


2	PHOSPHOR BRONZE	CONTACT: GOLD PLATING 0.76μm MIN	5	PS	TOP COVER TAPE
		LEAD : GOLD PLATING 0.03μm MIN	4	PS	EMBOSSED CARRIER TAPE
1	LCP	UNDER : NICKEL PLATING 1.3μm MIN	3	PHOSPHOR BRONZE	LEAD : GOLD PLATING 0.03μm MIN
		BEIGE, UL94V-0			UNDER : NICKEL PLATING 1.3μm MIN
NO.	MATERIAL	FINISH . REMARKS	NO.	MATERIAL	FINISH . REMARKS
UNITS		SCALE	COUNT	DESCRIPTION OF REVISIONS	
mm		4:1		DESIGNED	CHECKED
HRS HIROSE ELECTRIC CO., LTD.		APPROVED : NH. NAKATA	16.11.10	DRAWING NO. EDC-151987-84-00	
		CHECKED : HT. YAMAGUCHI	16.11.10	PART NO. FX10A-168S-SV(84)	
		DESIGNED : MT. ITANO	16.11.10	CODE NO. CL570-0244-7-84	
		DRAWN : MT. ITANO	16.11.10	1/2	

DRAWING FOR PACKING(2:1)

THE DIRECTION OF PULLING OUT 



REELED DIMENSION (FREE)

- NOTE
- 6. 1 REEL:500 CONNECTORS.
 - 7. MINIMUM 10 COMPARTMENTS FROM BOTH REEL ENDS REMAIN EMPTY.
 - 8. THIS PRODUCT HAS NO POLARITY TO TAPE AND REEL PACKAGING.

HRS	DRAWING NO.	EDC-151987-84-00
	PART NO.	FX10A-168S-SV(84)
	CODE NO.	CL570-0244-7-84
		2/2

Apr.1.2017 Copyright 2017 HIROSE ELECTRIC CO., LTD. All Rights Reserved.