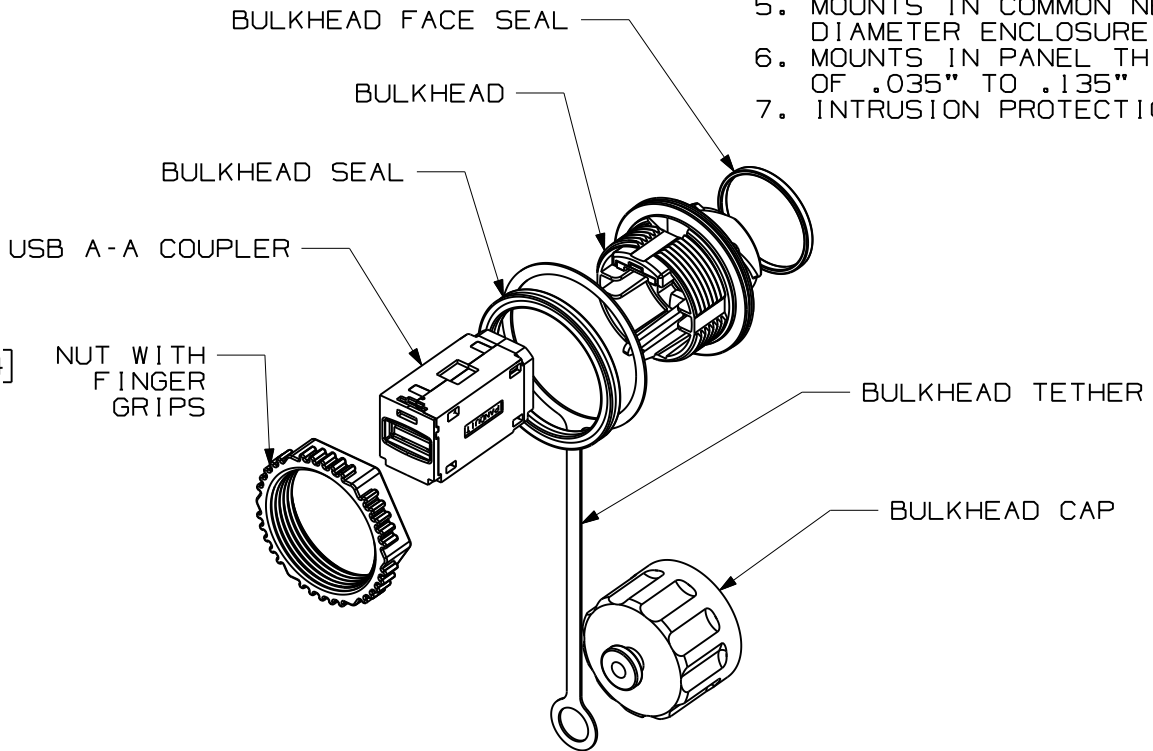
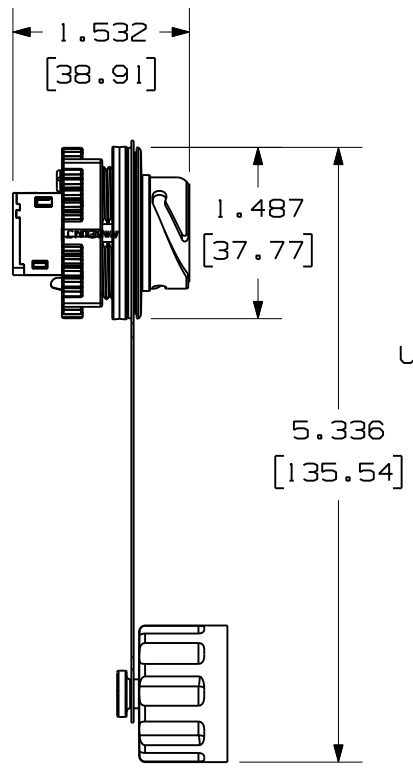


THIS COPY IS PROVIDED ON A RESTRICTED BASIS AND IS NOT TO BE USED IN ANY WAY DETRIMENTAL TO THE INTERESTS OF PANDUIT CORP.

NOTES:

1. INDUSTRIAL USB COUPLER MODULE
2. USB 2.0 COMPLIANT AND BACKWARDS COMPATIBLE TO USB 1.1
3. ACCEPTS (2) USB PATCH CORDS
4. DIMENSIONS IN PARENTHESES ARE METRIC.
5. MOUNTS IN COMMON NEMA 1-13/64" (30.5mm) DIAMETER ENCLOSURE OPENING.
6. MOUNTS IN PANEL THICKNESS OF .035" TO .135"
7. INTRUSION PROTECTION RATED TO IP67



MODEL FILENAME	M02731AV/00	SIZE	A
DRAWING FILENAME	M02731AV_DC19/00A		

INDUSTRIALNET USB A-A COUPLER WITH BULKHEAD
CUSTOMER DRAWING

 TINLEY PARK, IL 60487	I.I. NUMBER
	PRODUCT SPEC/ PKG SPEC
 THIRD ANGLE PROJECTION	ASSY METHOD/ TEST METHOD
ALL DIMENSIONS ARE GIVEN IN INCHES, UNLESS OTHERWISE SPECIFIED. DIMENSIONAL TOLERANCES ARE: (.X) ± (.XXX) ±.010(.25) (.XX) ±.03(.8) ANGLES ±	SCALE
DRAWN BY BJN	REVIEW DRAWING NUMBERS
DATE 2-21-12	PART NO. IAEBHUSBAA
CHK'D JCO	DRAWING NO. 02731-19

REV	DATE	BY	CHK	DESCRIPTION	ECN	R	CUST	SUP	OTH
R	2-21-12	BJN	JCO	RELEASED TO PRODUCTION	02731-17	JCO	EJH		