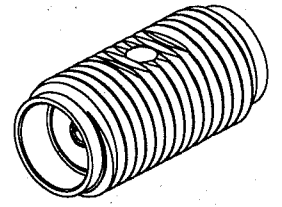


THIRD ANGLE PROJ.

REVISIONS

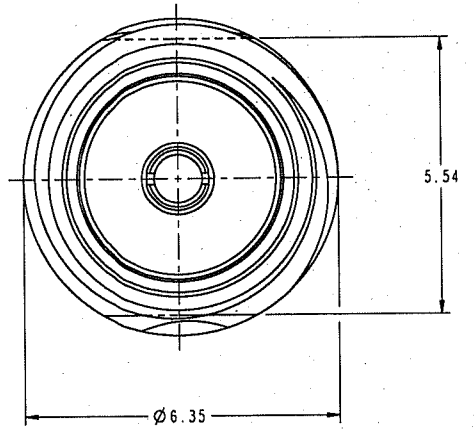
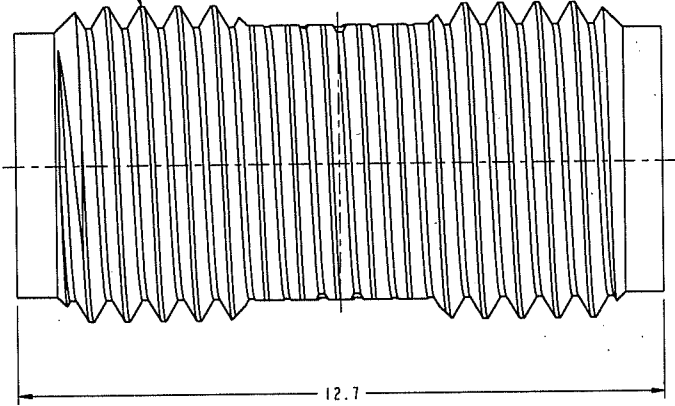
REV	DESCRIPTION	DATE	ECO	APPR
F	TRANSFERED TO KJ AND ADDED THE COD	21-Oct-08		

- NOTES:
- MATERIAL AND FINISH (PLATING THICKNESS IN MICRO-INCHES):  
 BODY - STAINLESS STEEL, PASSIVATED  
 CONTACT - BERYLLIUM COPPER, GOLD PLATING  
 INSULATOR - PTFE, NATURAL
  - ELECTRICAL:  
 A. IMPEDANCE: 50 OHM  
 B. FREQUENCY RANGE: 0-12.4 GHz  
 C. DIELECTRIC WITHSTANDING VOLTAGE: 1000 VRMS. MIN.
  - MECHANICAL:  
 A. DURABILITY: 500 CYCLES, MIN.  
 B. TEMPERATURE RANGE: -65°C TO +165°C



SCALE 4.000

1/4-36UNS-2A  
BOTH ENDS



**CUSTOMER OUTLINE DRAWING**  
ALL OTHER SHEETS ARE FOR INTERNAL USE ONLY

UNLESS OTHERWISE SPECIFIED, DIMENSIONS ARE IN METRIC AND TOLERANCES ARE: 0.5 - 6mm ±0.1mm    6 - 30mm ±0.2mm    30 - 120mm ±0.3mm    ANGLES ±1°	MATERIAL	DRAWN S. B.	DATE 5-22-77	TITLE SMA FEED THRU ADAPTOR		Amphenol RF Danbury CT USA, Tainan, Taiwan, Shenzhen, China www.amphenolrf.com	
	REFERENCE	ENGINEER S. B.	DATE 5-25-77				
NOTICE - These drawings, specifications, or other data (1) are, and remain the property of Amphenol corp. (2) must be returned upon request; and (3) are confidential and not to be disclosed to any person other than those to whom they are given by Amphenol Corp. the furnishing of these drawings, specifications, or other data by Amphenol Corp., or to any other person in any manner licensing, granting rights to permitting such holder or any other person to manufacture, use or sell any product, process or design, patented or otherwise, that may in any way be related to or disclosed by said drawings, specifications, or other data.	FINISH	APPROVED S. B.	DATE 8-22-77	SCALE: 10.0:1.0	SHEET 2 OF 2	DRAWING NO. 901-9217-SF	ITEM NO. 901-9217-SF
			CAD FILE I:\SMA\901-9217-SF		DWG SIZE B	CODE ID 74868	REV F