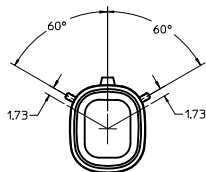
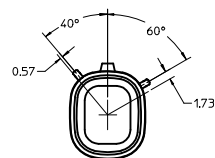


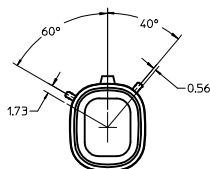
CUSTOMER SHROUD DESIGN DETAILS



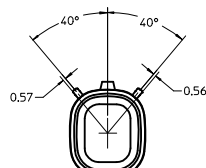
KEYING OPTION 'A'
SUGGESTED COLOR BLACK



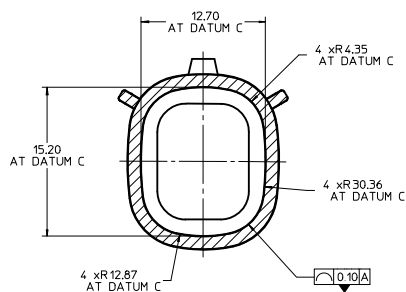
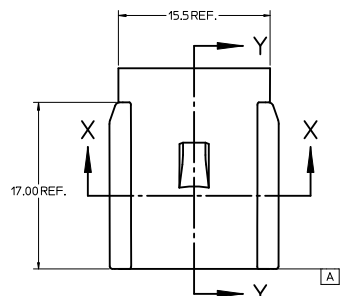
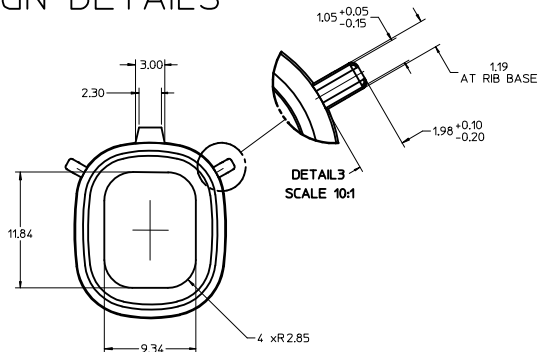
KEYING OPTION 'B'
SUGGESTED COLOR GREY



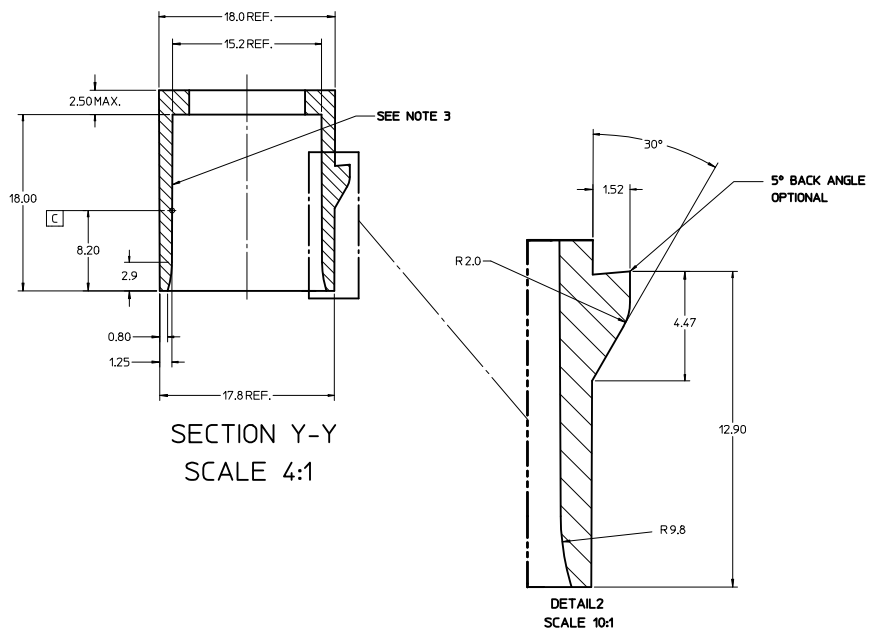
KEYING OPTION 'C'
SUGGESTED COLOR BROWN



KEYING OPTION 'D'
SUGGESTED COLOR GREEN



SECTION X-X
SCALE 4:1



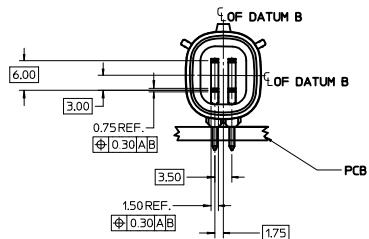
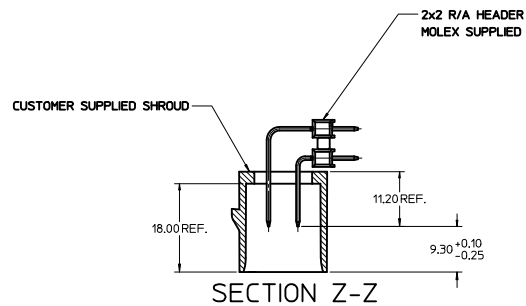
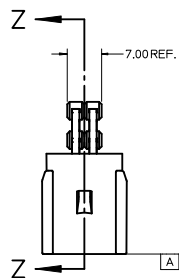
SECTION Y-Y
SCALE 4:1

DETAIL 2
SCALE 10:1

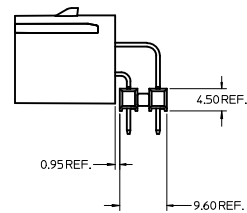
NOTES:

1. REFER TO MOLEX SALES DRAWING SD-75900-001 FOR THE R/A HEADER ASSEMBLY PRODUCT DETAILS AND RECOMMENDED PCB LAYOUT.
2. KEYING OPTIONS A-D AND SUGGESTED COLORS COMPLY TO THE POLARIZATION STANDARDS ESTABLISHED FOR MATING WITH A MX150 FEMALE CONNECTOR.
3. INTERIOR SHROUD SURFACE MUST BE FREE OF DEFECTS AND PARTING LINES ALL AROUND TO ENSURE PROPER SEALING OF THE MATING MX150 FEMALE CONNECTOR.
4. A FULL SHROUD ON THE MATING CONNECTOR IS REQUIRED TO INSURE THE HEADER SHROUD POLARIZATION FEATURES (OPTIONS A-D) WILL FUNCTION PROPERLY. THE FULL SHROUD ALSO PREVENTS SCOOP DAMAGE TO THE HEADER CONTACTS.
5. PERMISSIBLE DRAFT ANGLE 0.25\014\048\015 MAXIMUM.
6. RADII ON ALL CORNERS SHOWN SHARP OR ALL UNSPECIFIED RADII 0.25 EXCEPT AS NOTED.
7. DIMENSIONS SHOWN ABOUT A CENTERLINE ARE SYMMETRICAL ABOUT THAT CENTERLINE WITHIN HALF THE SPECIFIED TOLERANCE.

CHANGE CLASS EIC NO: UCF2012-0866 DRAWN BY: DROSCA CHYK: JCOMERCI APPR: JCOMERCI 2011/09/16 2011/09/16	QUALITY SYMBOLS	GENERAL TOLERANCES (UNLESS SPECIFIED)	DIMENSION STYLE	SCALE	DESIGN UNITS	THIRD ANGLE PROJECTION
	▽=0 ▽=0	mm INCH 4 PLACES ±--- ±--- 3 PLACES ±--- ±--- 2 PLACES ±0.10 ±--- 1 PLACE ±0.2 ±--- ANGULAR ±1/2°	MM ONLY DRAWN BY DATE DROSCA 06/21/2007 CHECKED BY DATE JCOMERCI 06/21/2007 APPROVED BY DATE JCOMERCI 06/21/2007	2:1	METRIC	TITLE APPLICATION SPEC 2X2 MX150 R/A HEADER SHROUD DETAILS
	DRAFT WHERE APPLICABLE MUST REMAIN WITHIN DIMENSIONS	MATERIAL NO. 75900-2020	MOLEX INCORPORATED DOCUMENT NO. AS-75900-202	SHEET NO. 1 OF 2		
	THIS DRAWING CONTAINS INFORMATION THAT IS PROPRIETARY TO MOLEX INCORPORATED AND SHOULD NOT BE USED WITHOUT WRITTEN PERMISSION					

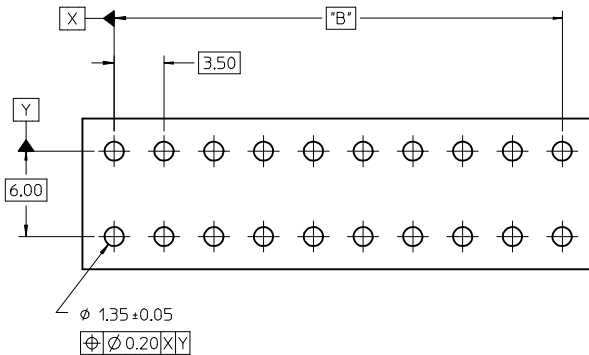
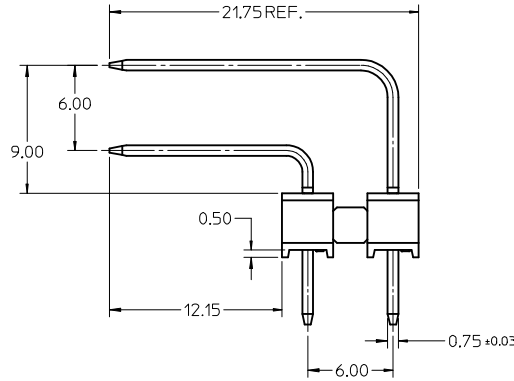
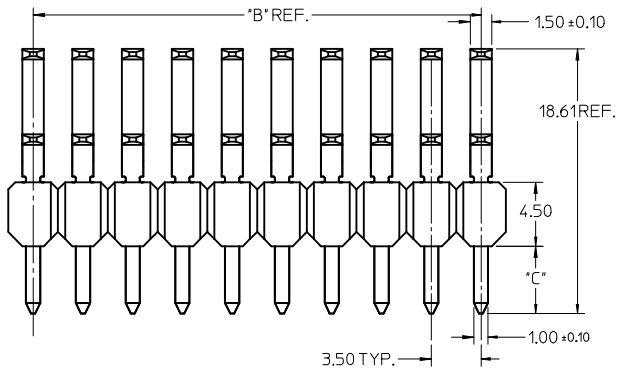
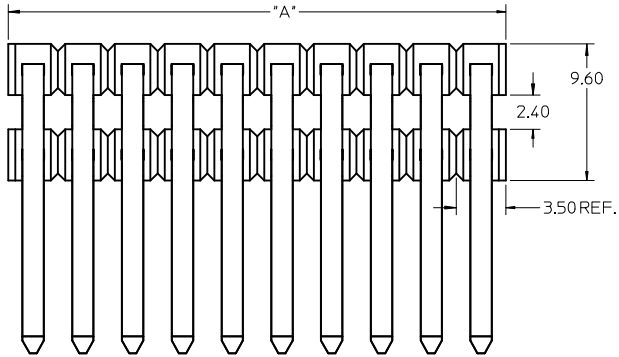


HEADER APPLICATION DETAILS



NOTES:
 1. ADHERENCE TO THE HEADER APPLICATION DETAILS IS IMPERATIVE TO ENSURE PROPER SHROUD SEALING AND CONTACT ALIGNMENT WHEN MATED WITH A MX150 FEMALE CONNECTOR.

ENTER DESCRIPTION IEC NO. UCF2012-0866 DRAWN/DROSCHA 2011/09/16 CHYD: APPR: JCOMERCI 2011/09/16 REV:	QUALITY SYMBOLS	GENERAL TOLERANCES (UNLESS SPECIFIED)	DIMENSION STYLE	SCALE	DESIGN UNITS	THIRD ANGLE PROJECTION															
	▽=0 ▽=0	<table border="1"> <thead> <tr> <th></th> <th>mm</th> <th>INCH</th> </tr> </thead> <tbody> <tr> <td>4 PLACES</td> <td>±---</td> <td>±---</td> </tr> <tr> <td>3 PLACES</td> <td>±---</td> <td>±---</td> </tr> <tr> <td>2 PLACES</td> <td>±0.10</td> <td>±---</td> </tr> <tr> <td>1 PLACE</td> <td>±0.2</td> <td>±---</td> </tr> </tbody> </table>		mm	INCH	4 PLACES	±---	±---	3 PLACES	±---	±---	2 PLACES	±0.10	±---	1 PLACE	±0.2	±---	MM ONLY 2:1 METRIC	DRAWN BY DATE DROSCHA 06/21/2007 CHECKED BY DATE JCOMERCI 06/21/2007 APPROVED BY DATE JCOMERCI 06/21/2007	TITLE APPLICATION SPEC 2X2 MX150 R/A HEADER SHROUD DETAILS	MOLEX INCORPORATED
		mm	INCH																		
	4 PLACES	±---	±---																		
3 PLACES	±---	±---																			
2 PLACES	±0.10	±---																			
1 PLACE	±0.2	±---																			
DRAFT WHERE APPLICABLE MUST REMAIN WITHIN DIMENSIONS	MATERIAL NO. 75900-2020	DOCUMENT NO. AS-75900-202	SHEET NO. 2 OF 2																		
SIZE D	THIS DRAWING CONTAINS INFORMATION THAT IS PROPRIETARY TO MOLEX INCORPORATED AND SHOULD NOT BE USED WITHOUT WRITTEN PERMISSION																				



RECOMMENDED PCB LAYOUT

NOTES:

1. TERMINAL MAT'L: ALLOY C26000, CARTRIDGE BRASS
2. WAFER MAT'L: 30% GLASS FILLED LCP, 94V-0, COLOR BLACK.
3. TERMINAL PLATING:
 - OPTION 4 - 1.54μm MIN MATTE TIN OVERALL OVER 1.254μm NICKEL OVERALL
 - OPTION 1 - 2.54μm MIN MATTE TIN OVERALL OVER 1.254μm NICKEL OVERALL
 - OPTION 2 - 1.254μm NICKEL OVERALL 2.54μm MIN SELECT MATTE TIN PC TAIL AREA 0.05-0.254μm SELECT GOLD CONTACT AREA
 - OPTION 3 - 1.254μm NICKEL OVERALL 2.54μm MIN SELECT MATTE TIN PC TAIL AREA 0.754μm SELECT GOLD CONTACT AREA
4. HEADER ASSEMBLIES ARE TUBE PACKAGED PER PK-36518-351.

CKT SIZE	PLATING OPTION	MATERIAL NUMBER	*A* DIM	*B* DIM	*C* DIM	MATERIAL NUMBER			*A* DIM	*B* DIM	*C* DIM
						75900-1122	75900-1222	75900-1322			
2 x 2	1	75900-1121	7.0	3.50 REF		75900-1122	75900-1222	75900-1322	7.0	3.50 REF	
	2	75900-1221				75900-1422					
	3	75900-1321									
	4	75900-1421									
2 x 3	1	75900-1131	10.5	7.00		75900-1132	75900-1232	75900-1332	10.5	7.00	
	2	75900-1231				75900-1432					
	3	75900-1331									
	4	75900-1431									
2 x 4	1	75900-1141	14.0	10.50		75900-1142	75900-1242	75900-1342	14.0	10.50	
	2	75900-1241				75900-1442					
	3	75900-1341									
	4	75900-1441									
2 x 5	1	75900-1151	17.5	14.00	3.05	75900-1152	75900-1252	75900-1352	17.5	14.00	4.75
	2	75900-1251				75900-1452					
	3	75900-1351									
	4	75900-1451									
2 x 6	1	75900-1161	21.0	17.50		75900-1162	75900-1262	75900-1362	21.0	17.50	
	2	75900-1261				75900-1462					
	3	75900-1361									
	4	75900-1461									
2 x 8	1	75900-1181	28.0	24.50		75900-1182	75900-1282	75900-1382	28.0	24.50	
	2	75900-1281				75900-1482					
	3	75900-1381									
	4	75900-1481									
2 x 10	1	75900-1101	35.0	31.50		75900-1102	75900-1202	75900-1302	35.0	31.50	
	2	75900-1201				75900-1402					
	3	75900-1301									
	4	75900-1401									

PK SPEC UPDATED EC NO: 12016-0115 DRAWN: BR02 CHIKD: APPR: XPRASAD 2016/05/16 2016/06/03	QUALITY SYMBOLS	GENERAL TOLERANCES (UNLESS SPECIFIED)	DIMENSION STYLE		SCALE	DESIGN UNITS	THIRD ANGLE PROJECTION	
	▽=0	m/m INCH	MM ONLY		4:1	METRIC		
	▽=0	4 PLACES ± --- ± ---	DRAWN BY	DATE	TITLE			
	▽=0	3 PLACES ± --- ± ---	TMCCLELL	1/25/06	MX150 RIGHT ANGLE DUAL ROW UNSHROUDED HEADER ASSEMBLY			
	2 PLACES ± 0.13 ± ---	CHECKED BY	DATE	molex MATERIAL NO. SD-75900-001 DOCUMENT NO. SHEET NO. 1 OF 1				
	1 PLACE ± 0.25 ± ---	TMCCLELL	1/25/06					
	0 PLACE ± ±	APPROVED BY	DATE					
		BANAKI S	1/25/06					
		ANGULAR ± 1/2°						
		DRAFT WHERE APPLICABLE MUST REMAIN WITHIN DIMENSIONS						
		SEE CHART						