

MODEL:

PDUV30HV

Basic Rackmount PDU



High Voltage
Input/Output



38 Outlets



30A Max Capacity

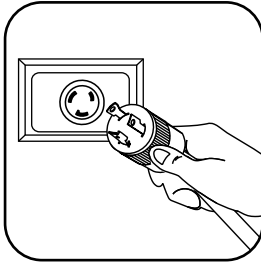


0U Rackmount

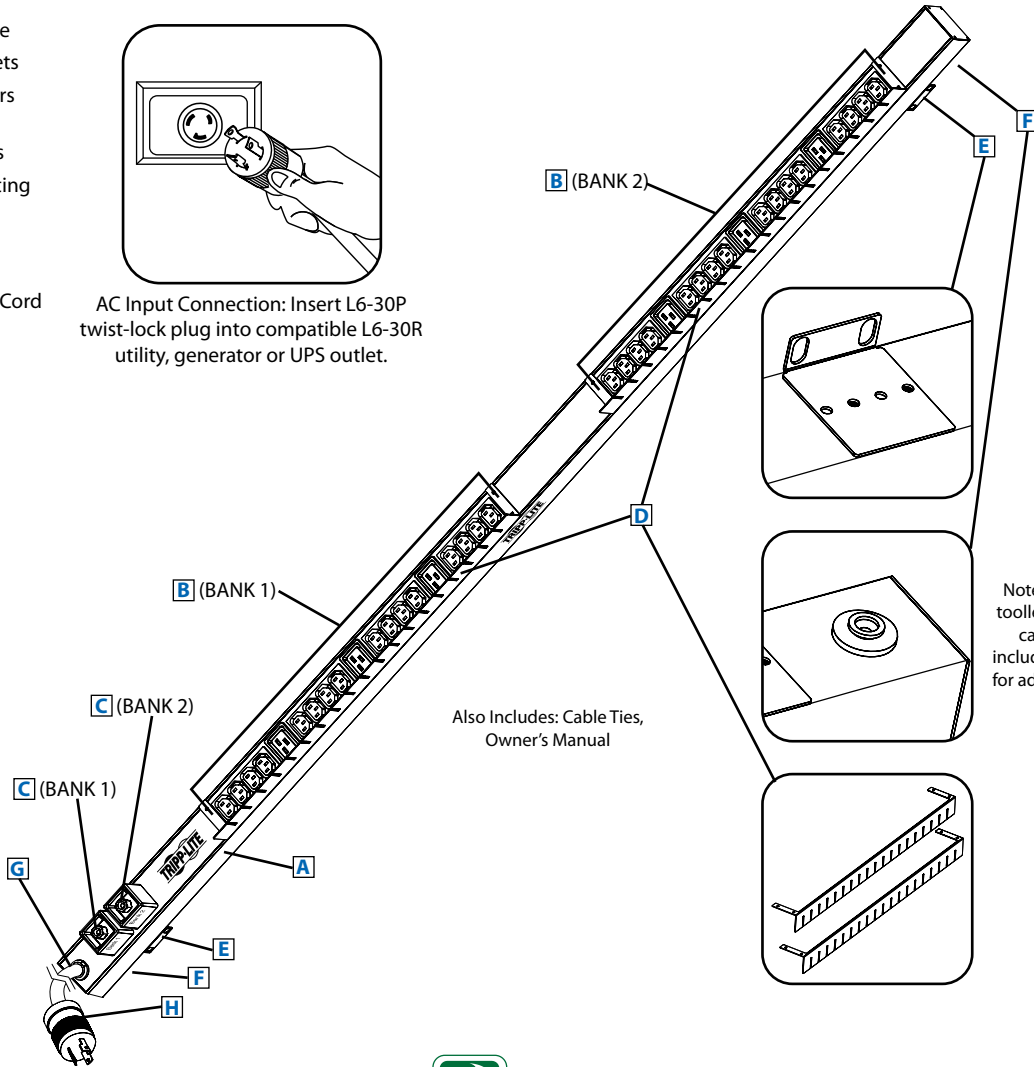


Toolless
Mounting Buttons

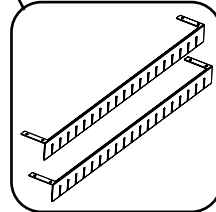
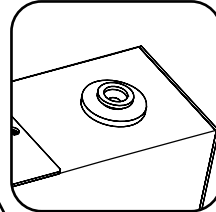
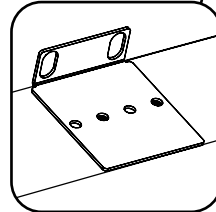
- A** Durable Metal Case
- B** C13 and C19 Outlets
- C** 15A Circuit Breakers
- D** Removable Cord Retention Brackets
- E** Removable Mounting Brackets
- F** Toolless Mounting Buttons
- G** 10 ft. Input Power Cord
- H** L6-30P Twist-Lock Input Plug



AC Input Connection: Insert L6-30P twist-lock plug into compatible L6-30R utility, generator or UPS outlet.



Also Includes: Cable Ties, Owner's Manual



Note: Installed 17.67 mm toolless mounting buttons can be replaced with included 14.17 mm buttons for additional compatibility.

Specifications

Model	PDUV30HV
Voltage	200-250V
Frequency	50/60 Hz
Maximum Capacity	30A
Agency-Derated Capacity	24A
Input Connector	L6-30P
Cord Length	10 ft.
Outlets	38 (32 C13 / 6 C19)
Primary Mounting Option	0U (Vertical) Rackmount
Unit Weight & Dimensions	8.0 lb / 3.5 x 63.75 x 2.25 in.
	<i>See next page for detailed unit measurements.</i>
Certifications	Tested to UL 60950-1 (US & Canada), NOM (Mexico)

Tripp Lite has a policy of continuous improvement. Specifications are subject to change without notice.

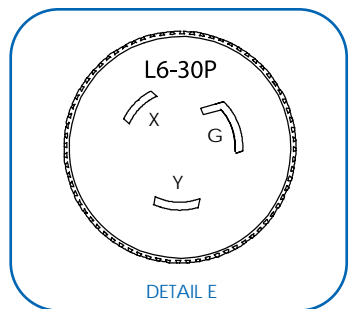
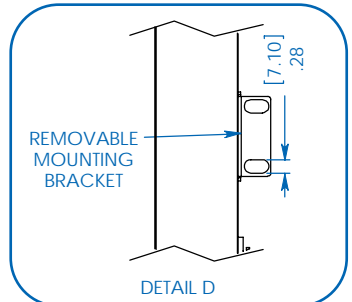
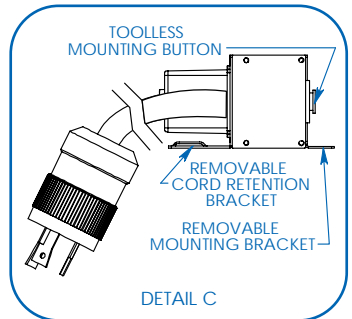
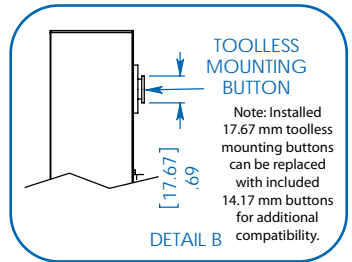
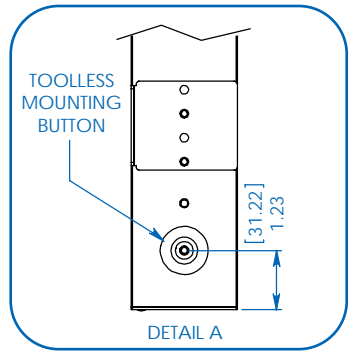
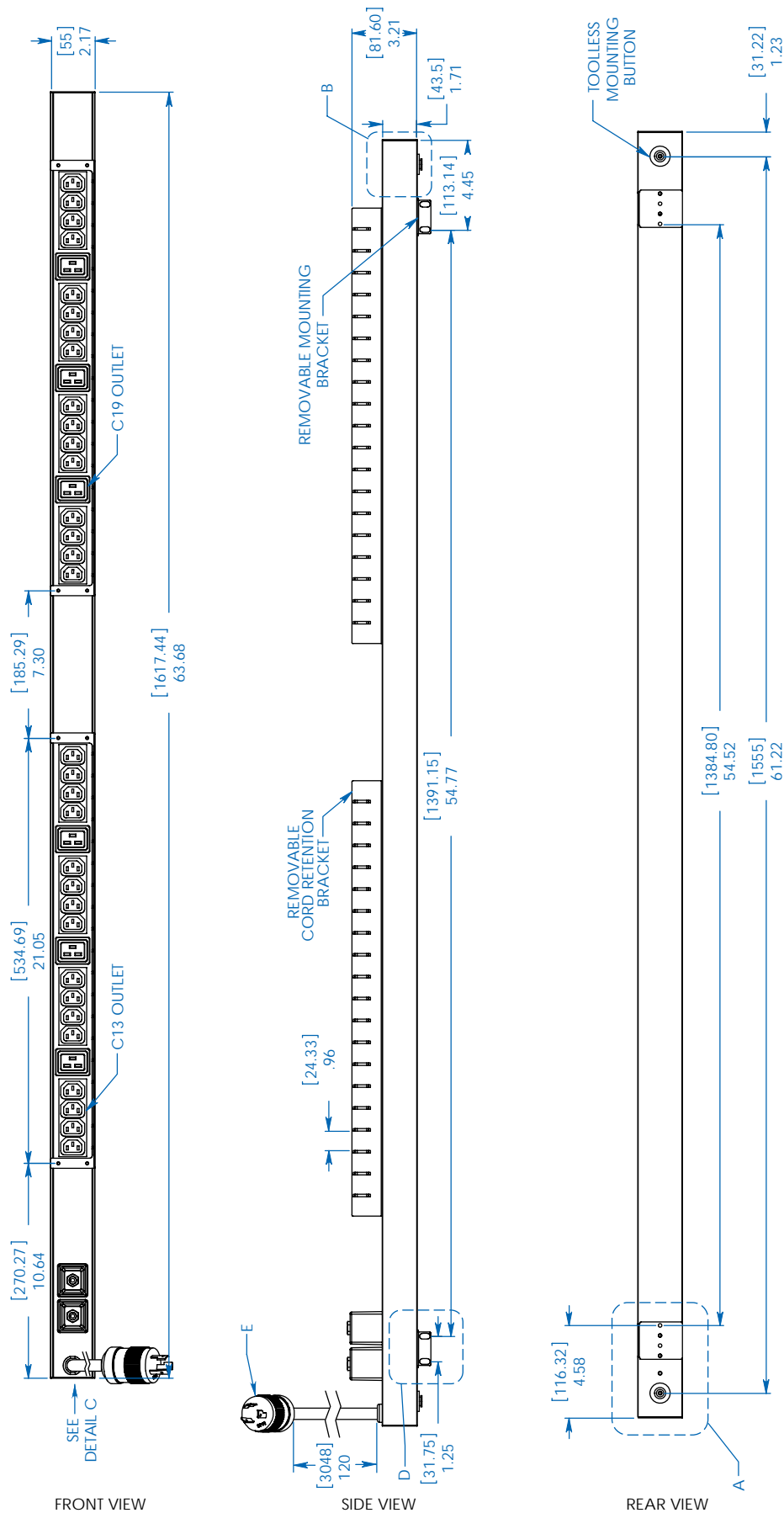


- Distributes power to 38 outlets arranged in two banks
- Perfect for rackmount server, network and telecom applications

SEE NEXT PAGE FOR DETAILED UNIT MEASUREMENTS



1111 W. 35th Street
Chicago, IL 60609 USA
773.869.1234
www.tripplite.com



MODEL:
PDUV30HV

TRIPP-LITE

1111 W. 35th Street
 Chicago, IL 60609 USA
 773.869.1234
 www.triplite.com

Dimensions: [mm] INCHES

Tripp Lite has a policy of continuous improvement. Specifications are subject to change without notice.