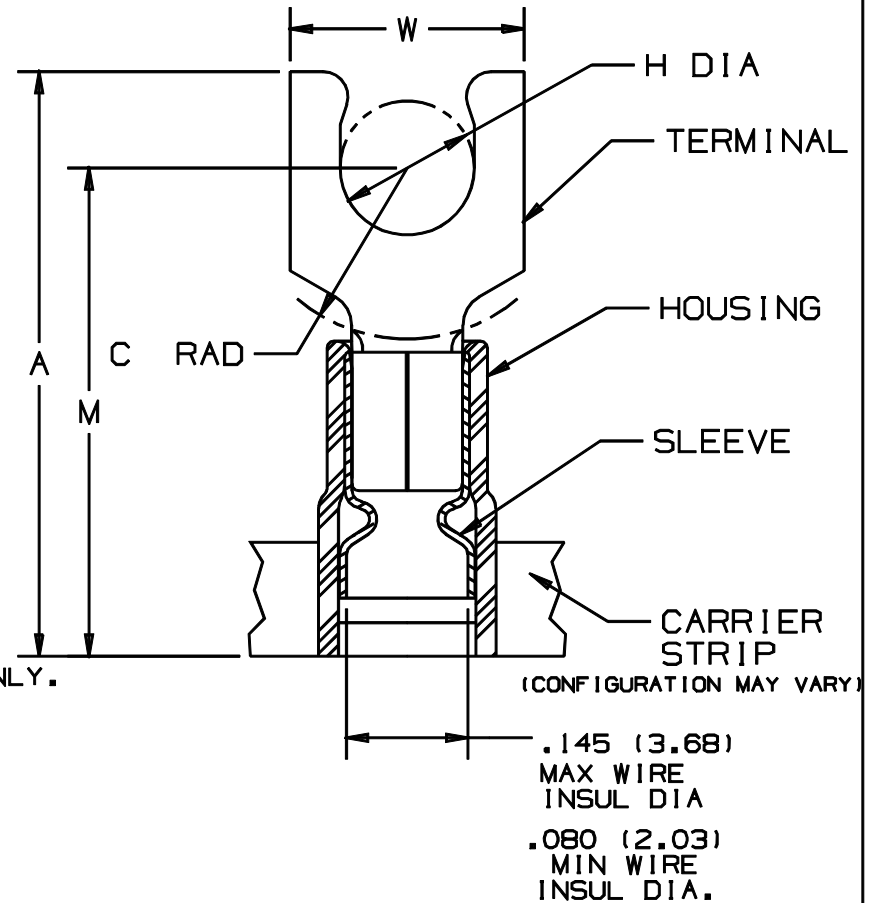


THIS COPY IS PROVIDED ON A RESTRICTED BASIS AND IS NOT TO BE USED IN ANY WAY DETRIMENTAL TO THE INTERESTS OF PANDUIT CORP.

PANDUIT PART NUMBER	STUD SIZE	DIMENSIONS in.				
		A $\pm .03$	W $\pm .01$	C $\pm .02$	M $\pm .03$	H $\pm .01$
PN18-5SLF-3K	#5	.75 (19.05)	.26 (6.60)	.19 (4.83)	.64 (16.26)	.12 (3.05)
PN18-6SLF-3K	#6	.75 (19.05)	.27 (6.86)	.19 (4.83)	.64 (16.26)	.14 (3.56)
PN18-8SLF-3K	#8	.79 (20.07)	.29 (7.37)	.23 (5.84)	.68 (17.27)	.16 (4.06)
PN18-10SLF-3K	#10	.80 (20.32)	.33 (8.38)	.23 (5.84)	.68 (17.27)	.19 (4.83)



NOTES :

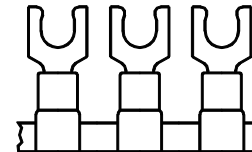
- UL LISTED AND CSA CERTIFIED FOR :
 - 600 V MAX. VOLTAGE RATING
1000 V MAX. IN SIGNS FIXTURES & LUMINAIRES†
 - 221°F (105°C) MAX. TEMP. RATING
 - #22-18 AWG (0.5-1.5 mm²) STRANDED COPPER WIRE ONLY.
- PACKAGE QTY. : 3K = 3000 PCS.
CONTINUOUS MOLDED CARRIER STRIP
- MATERIAL :
 - STAMPING - .03" THK COPPER, TIN PLATED
 - HOUSING - RED NYLON
 - SLEEVE - BRASS, TIN PLATED
- DIMENSIONS IN BRACKETS ARE IN MILLIMETERS
- INSTALLATION TOOLS :
 - PRESSES - CP-851, CP-860, CP-861
 - APPLICATOR - CA-800
 - DIE INSERTS - CD-800-1
- WIRE STRIP LENGTH: $7/32" \pm 1/32"$ (5.6 \pm .8)
 $0"$



LISTED
587H
E52164



CERTIFIED
LR31212



A41088_04

04	12/00	ED		FILESPEC WAS: N41088AA_PCD_03	08925					TINLEY PARK, ILLINOIS		
03	11/96	JB		ADDED DIM" .080(2.03) MIN WIRE INSUL DIA."	05423							
02	12/95	ED	RLS	REVISIONS TO TABLE & NOTES	03814		LA	RS	TERMO 3PC. CONTINUOUSLY MOLDED NYLON INSULATED, 22-18 BARREL, SHORT LOCKING FORKS			
1	3/88	FS		REDRAWN WITH REVISIONS			LA	RS				
REV	DATE	BY	CHK	DESCRIPTION	ECN	QA	CUST	PM	DRAWN BY FES	CHK'D FS	SCALE NONE	DRAWING NO. A41088