
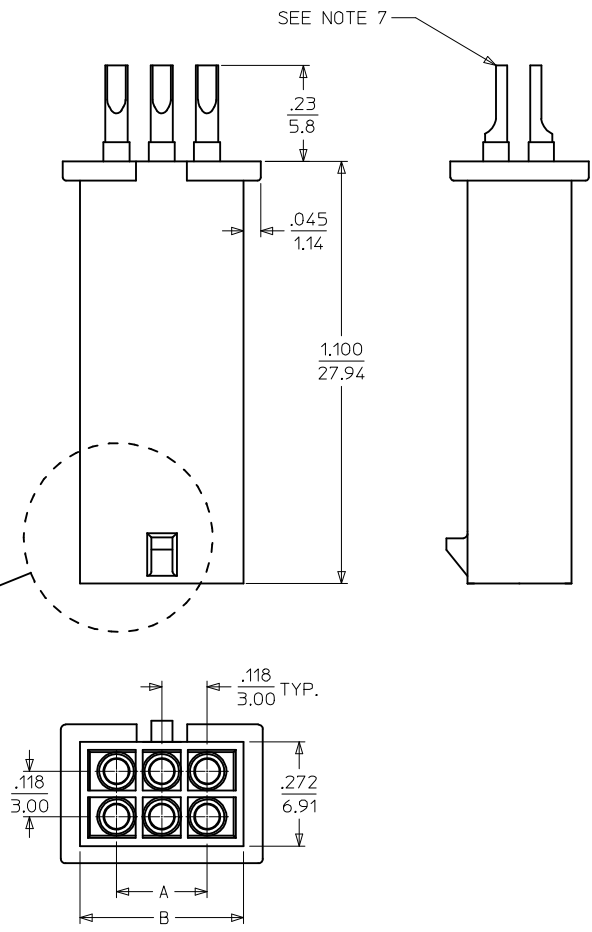
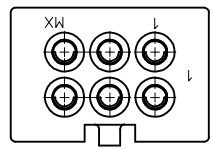

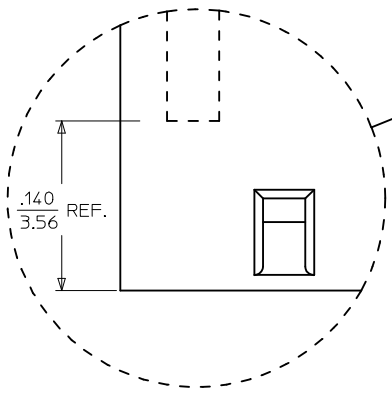


MATERIAL NUMBER	NUMBER OF CIR 	DIM. "A"	DIM. "B"
44242-0001	4	.118/(3.00)	.308/(7.82)
44242-0002	6	.236/(6.00)	.426/(10.82)
44242-0003	8	.354/(9.00)	.544/(13.82)
44242-0004	10	.472/(12.00)	.662/(16.82)
44242-0005	12	.591/(15.00)	.780/(19.82)
44242-0006	14	.709/(18.00)	.898/(22.82)
44242-0007	16	.827/(21.00)	1.017/(25.82)
44242-0008	18	.945/(24.00)	1.135/(28.82)
44242-0009	20	1.063/(27.00)	1.253/(31.82)
44242-0010	22	1.181/(30.00)	1.371/(34.82)
44242-0011	24	1.299/(33.00)	1.489/(37.82)


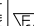
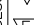


NOTES:

- MATERIAL:
HOUSING: LCP, COLOR BLACK.
POGO-PIN PROBE: HEAT TREATED BERYLLIUM COPPER.
POGO-PIN RECEPTACLE: WORK-HARDENED NICKEL SILVER.
 - FINISH:
POGO-PIN PROBE: GOLD PLATED OVER HARD NICKEL.
POGO-PIN RECEPTACLE: GOLD PLATED OVER HARD NICKEL.
 - PRODUCT SPECIFICATION: PS-43045
 - THIS PRODUCT IS INTENDED TO BE USED AS A TESTER FOR CONTINUITY ONLY.
 - DO NOT MAKE OR BREAK CONTACT UNDER LOAD.
 - MAXIMUM CURRENT CARRYING CAPACITY OF POGO-PIN IS 2.5 AMPERES.
 - SOLDER CUP WILL ACCEPT 22-26 GAUGE WIRE. SOLDER CUP ORIENTATION IS RANDOM.
 - MAXIMUM MATING CYCLES OF TEST PLUG IS 10,000 CYCLES.
-  TEST PLUG CAN BE USED FOR TESTING BOTH SINGLE ROW AND DUAL ROW CONNECTORS. FOR SINGLE ROW CONNECTORS, USE A TEST PLUG THAT HAS TWICE THE NUMBER OF CIRCUITS AS THE SINGLE ROW CONNECTOR BEING TESTED.



PROBE LOCATION WITHIN HOUSING (SCALE: 8X)

FIX NOTE 7/DIMS EC NO: UCP2013-1516 DRW:MMSTROH 2012/10/17 CHKD:SSOUSEK 2012/10/17 APPR:FSMLTH 2012/10/19	QUALITY SYMBOLS	GENERAL TOLERANCES (UNLESS SPECIFIED)	DIMENSION STYLE	SCALE	DESIGN UNITS	THIRD ANGLE PROJECTION
	 = 0	mm INCH	IN/MM	4:1	INCH	
	 = 0	4 PLACES ± --- ± ---	DRAWN BY DATE	TITLE		
	 = 0	3 PLACES ± --- ± .010	CHECKED BY DATE	MICRO-FIT(3.0)		
	2 PLACES ± 0.25 ± .014	EDGLEBY 1998/09/10	4-24 CIRCUIT TEST PLUG			
	1 PLACE ± 0.35 ± ---	APPROVED BY DATE	ASSY - BMI COMPATIBLE			
	0 PLACE ± ±	EDGLEBY 1998/09/10	molex			
	ANGULAR ±1/2°	MATERIAL NO.	DOCUMENT NO.		SHEET NO.	
	DRAFT WHERE APPLICABLE MUST REMAIN WITHIN DIMENSIONS	SEE CHART	SD-44242-001		1 OF 1	
		SIZE C	THIS DRAWING CONTAINS INFORMATION THAT IS PROPRIETARY TO MOLEX INCORPORATED AND SHOULD NOT BE USED WITHOUT WRITTEN PERMISSION			