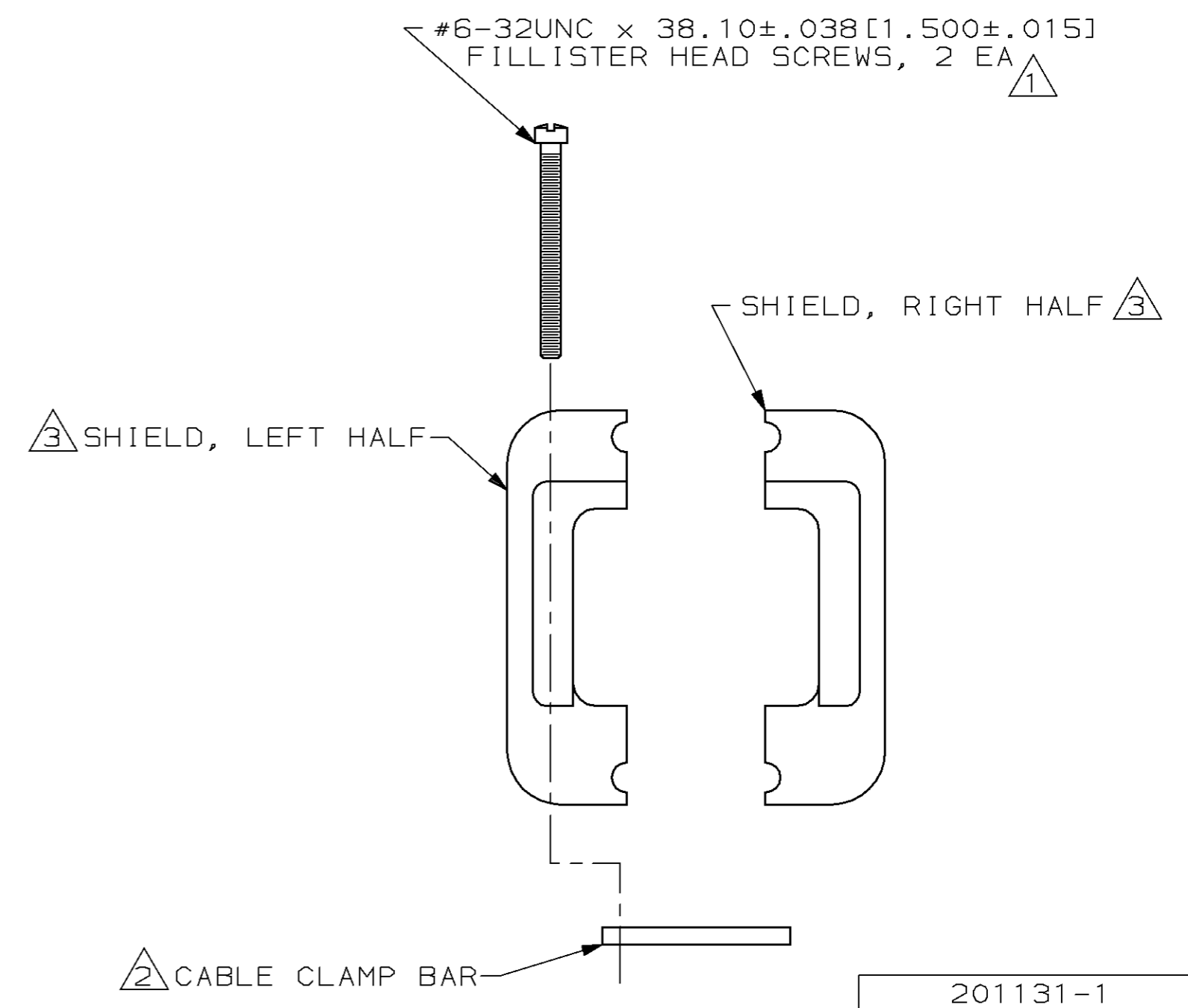
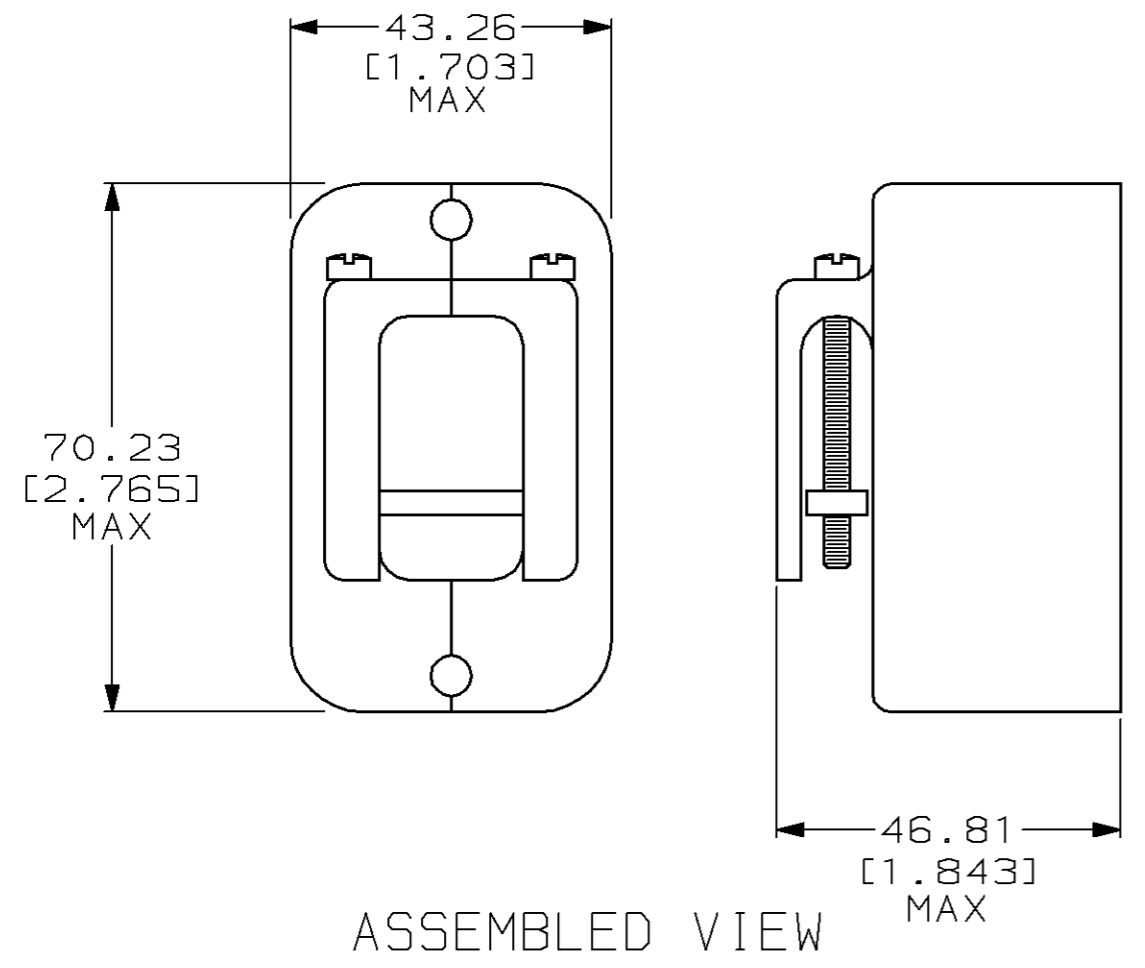


THIS DRAWING IS UNPUBLISHED. RELEASED FOR PUBLICATION ,19 .
 © COPYRIGHT 19 BY AMP INCORPORATED. ALL RIGHTS RESERVED.

LOC	DIST	REVISIONS			
P	LTR	DESCRIPTION	DATE	DWN	APVD
BD	36	M	REDRAWN PER EC 0020-1178-94	25 JUL 95	CR AC



- 1 MATERIAL: CARBON STEEL.
FINISH: ZINC PLATED.
- 2 MATERIAL: ALUMINUM.
FINISH: ANODIZED.
- 3 MATERIAL: ALUMINUM.
FINISH: 5.08µm [.000200] MIN NICKEL.

201131-1
 PART NUMBER

THIS DRAWING IS A CONTROLLED DOCUMENT FOR AMP INCORPORATED. IT IS SUBJECT TO CHANGE AND THE CONTROLLING ENGINEERING ORGANIZATION SHOULD BE CONTACTED FOR THE LATEST REVISION.		DWN C. REIFSNYDER 25 JUL 95	AMP Incorporated Harrisburg, PA 17105-3608
DIMENSIONS: mm [INCHES]		CHK R. STONE 26 JUL 95	
TOLERANCES UNLESS OTHERWISE SPECIFIED:		APVD G. STEINHAUER 05 OCT 95	NAME SHIELD KIT, UNASSEMBLED, 104 PLACE, COMPLETE, M SERIES
0 PLC ±-	1 PLC ±-	PRODUCT SPEC	SIZE A3
2 PLC ±-	3 PLC ±-	APPLICATION SPEC	CAGE CODE 00779
4 PLC ±-	ANGLES ±-	WEIGHT .1102 LB	DRAWING NO C-201131
MATERIAL SEE CALLOUTS	FINISH SEE CALLOUTS	CUSTOMER DRAWING	SCALE 1:1
			SHEET 1 OF 1
			REV M