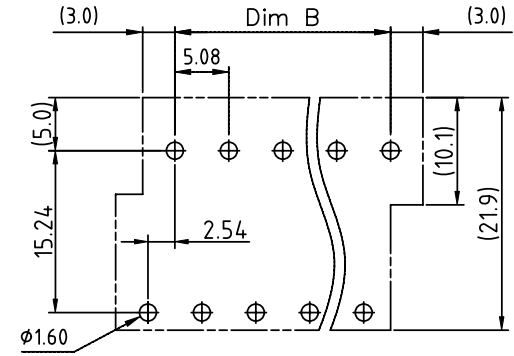
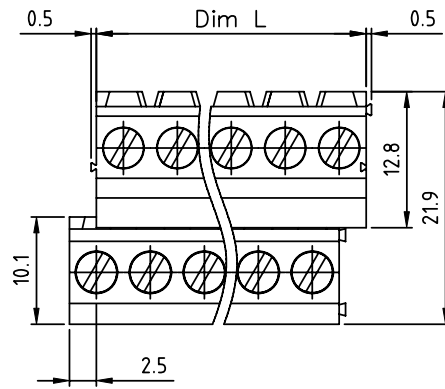
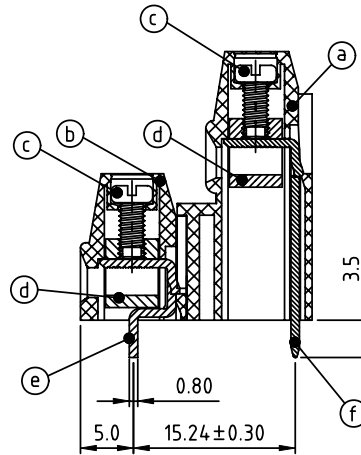
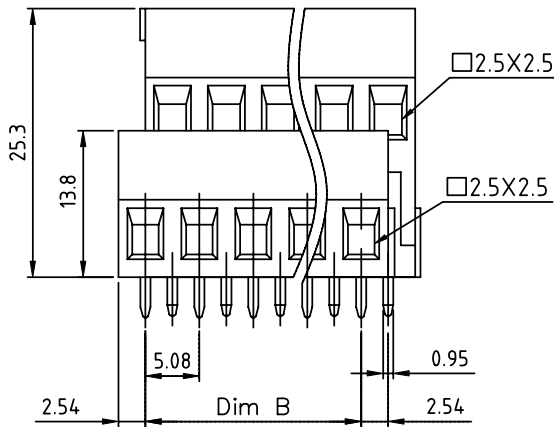


PRODUCT NUMBER	PITCH
YLxx41x000J0G	5.08 mm



RECOMMENDED P.C.B LAYOUT  
TOP VIEW



Material:

- Item (a) Terminal housing :Thermoplastic (UL 94V-0) (YE5.08)
- Item (b) Terminal housing :Thermoplastic (UL 94V-0) (YD5.08)
- Item (c) Terminal screw: Steel Zinc plating"-slot type
- Item (d) Clamp: Brass, Ni plated
- Item (e) Solder pin1: Brass, Tin plated (YD)
- Item (f) Solder pin2: Brass, Tin plated (YE)

Electrical cULus

- Voltage rating: 300VAC
- Current rating: 20A
- Wire range:
- Solid wire(AWG): 12-22
- Stranded wire(AWG): 12-22
- Torque(Lb-In): 3.5
- Screw: M2.5
- Wire strip length: 6-7mm
- Withstanding Voltage: 1.6KV
- Operating temperature: -40°C to +115°C
- Soldering temperature: 260°C±5°C/5 Sec
- Safety Approval:

DIMENSION

Dim L	N/2x5.08
Dim B	(N/2-1)x5.08

N=Number of poles

Poles	Tolerance
2x2p~2x6p	±0.20
2x7p~2x12p	±0.30
2x13p~2x18p	±0.35
2x19p~2x24p	±0.40

PART NO.: YL xx 4 1 x 0 00J0 G

	End stackable	No. of poles	Color	RoHS compliant (lead<4%) In copper Alloy
0	0	2	Black (RAL9005)	
1	2	2	Red (RAL3001/D)	
2	04	2x2 poles	Orange(RAL2011/P)	
3	06	2x3 poles	4 Yellow(RAL1018/A)	
4	...	...	5 Green(RAL6018/T)	
5	48	2x24 poles	6 Blue (RAL5015/A)	
6			8 Grey(RAL7035/D)	
7			9 White(RAL1102)	
8			C Green(RAL6018/U)	

mat'l. code		surface ASME Y14.5	tolerance ASME Y14.5	projection	product family TERMINAL BLOCK
ltr	ecn no	dr	date		title TERMINAL BLOCK
tolerances unless otherwise specified				MM	RISING CLAMP,180D WIRE INLET,END STACKABLE,LEFT TYPE
angles	0	0	0	scale	dwg no
X°±1"	X.±0.5	X.X±0.3	X.XX±0.1	sheet 1 of 1	size
dr	EVIN ZHONG	041014		FCI	YLxx41x000J0G
enr	EVIN ZHONG	041014			A4
chr	HANKE FENG	041014			type
appd	SHI JUN	041014			CUSTOMER Drawing
sheet index	revision	A			
	sheet	1			