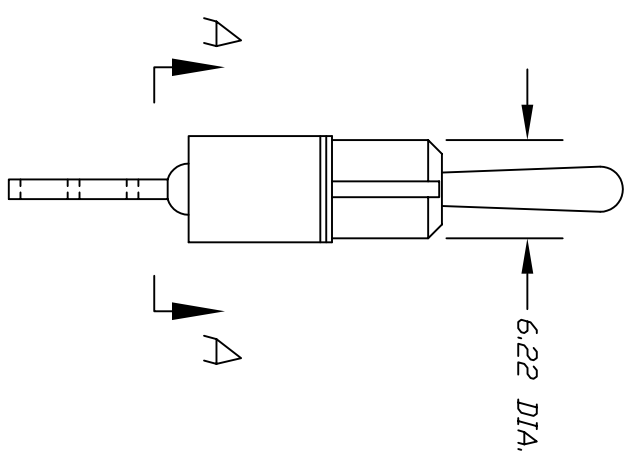
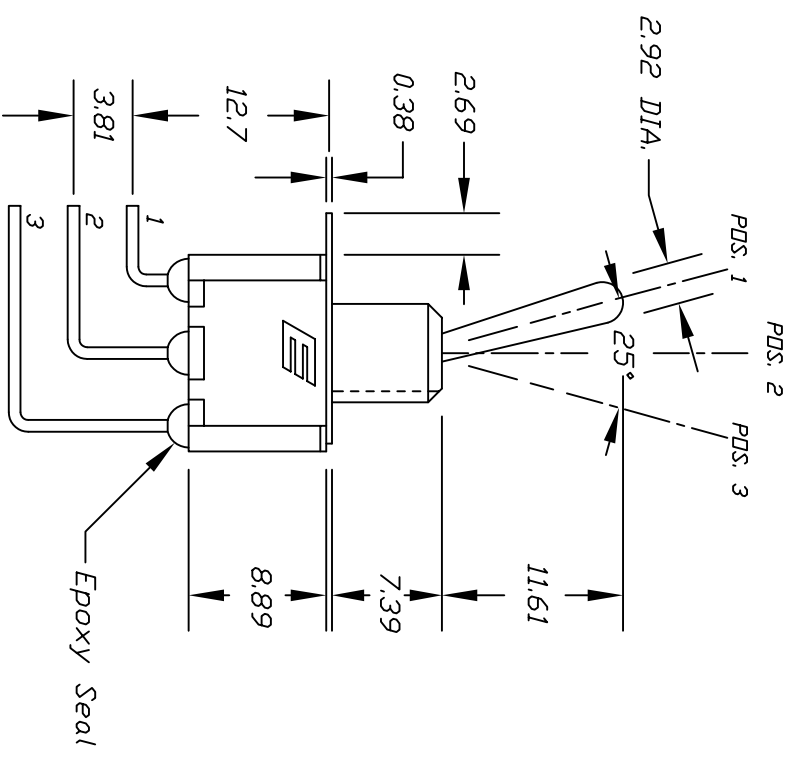
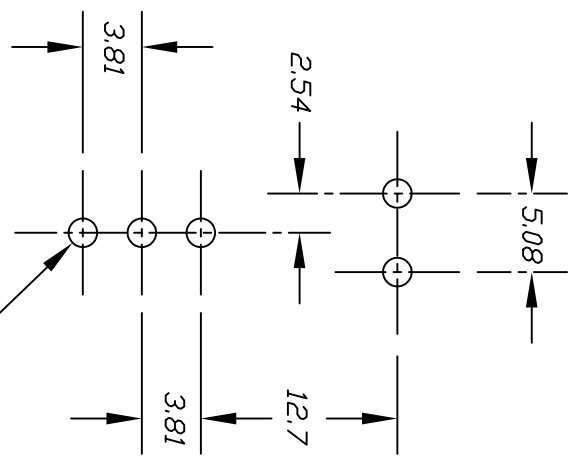


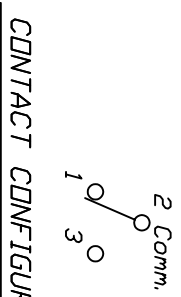
NOTE:  
CONTACTS CROPPED  
FOR CLARITY



VIEW A-A



P.C.B. MOUNTING HOLES



CONTACT CONFIGURATION

SWITCH FUNCTION			
POS. 1	POS. 2	POS. 3	
DN	NONE	DN	
2-3	OPEN	2-1	

SPDT

- NOTES:
1. ALL DIMENSIONS IN MM
  2. TERM. NOS. FOR REF. ONLY

**E-SWITCH**

100 SP-1 T1 B4 M7 Q E

REV.	DESCRIPTION	DATE	CHKD
A	RELEASED FOR PRODUCTION		

TOLERANCES	
0.0	±0.4
0.00	±0.25

SCALE	DATE	DR	DWG	REV
2:1	9/18/96	MM	T111020	A

THE INFORMATION CONTAINED IN THIS DOCUMENT IS PROPRIETARY TO E-SWITCH AND IS NOT TO BE COPIED OR TRANSFERRED