

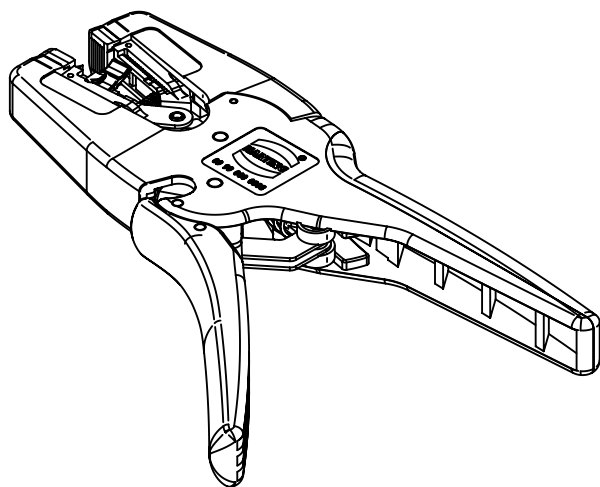
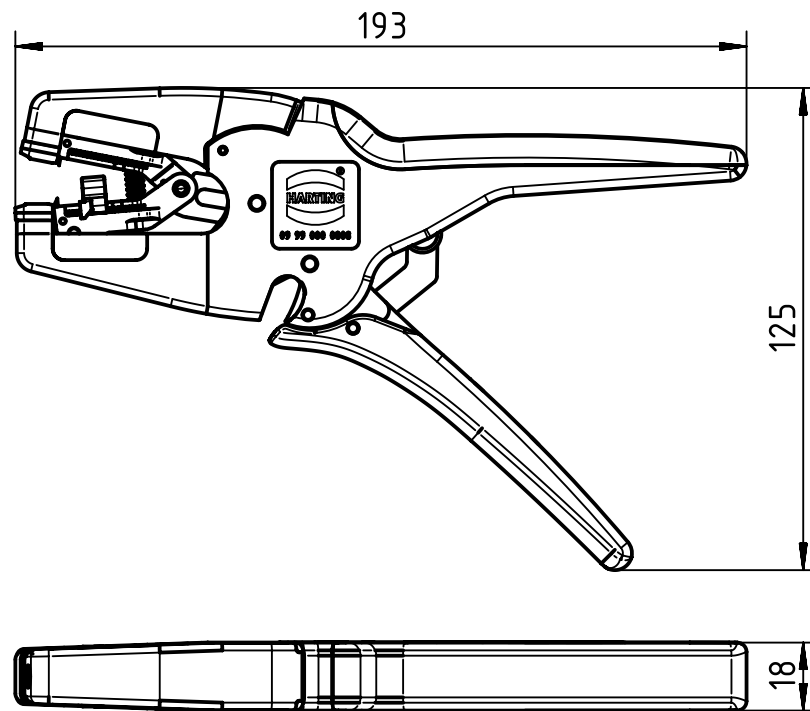
1 2 3 4 5 6


A

B

C

D



	All rights reserved Department EL PD - DE	All Dimensions in mm Original Size DIN A4		Scale 1:2	Free size tol.		Ref.	
		HARTING Electric GmbH & Co. KG D-32339 Espelkamp		Created by FINKEV	Inspected by RIEPE	Standardisation SCHMIDTM	Date 2014-10-13	State Final Release
Title Stripping Tool 0.03-10qmm selfadjusting							Doc-Key / ECM-Nr. 100594787/UGD/001/A 500000080005	
			Type TB	Number 09 99 000 0808			Rev. A	Page 1/1