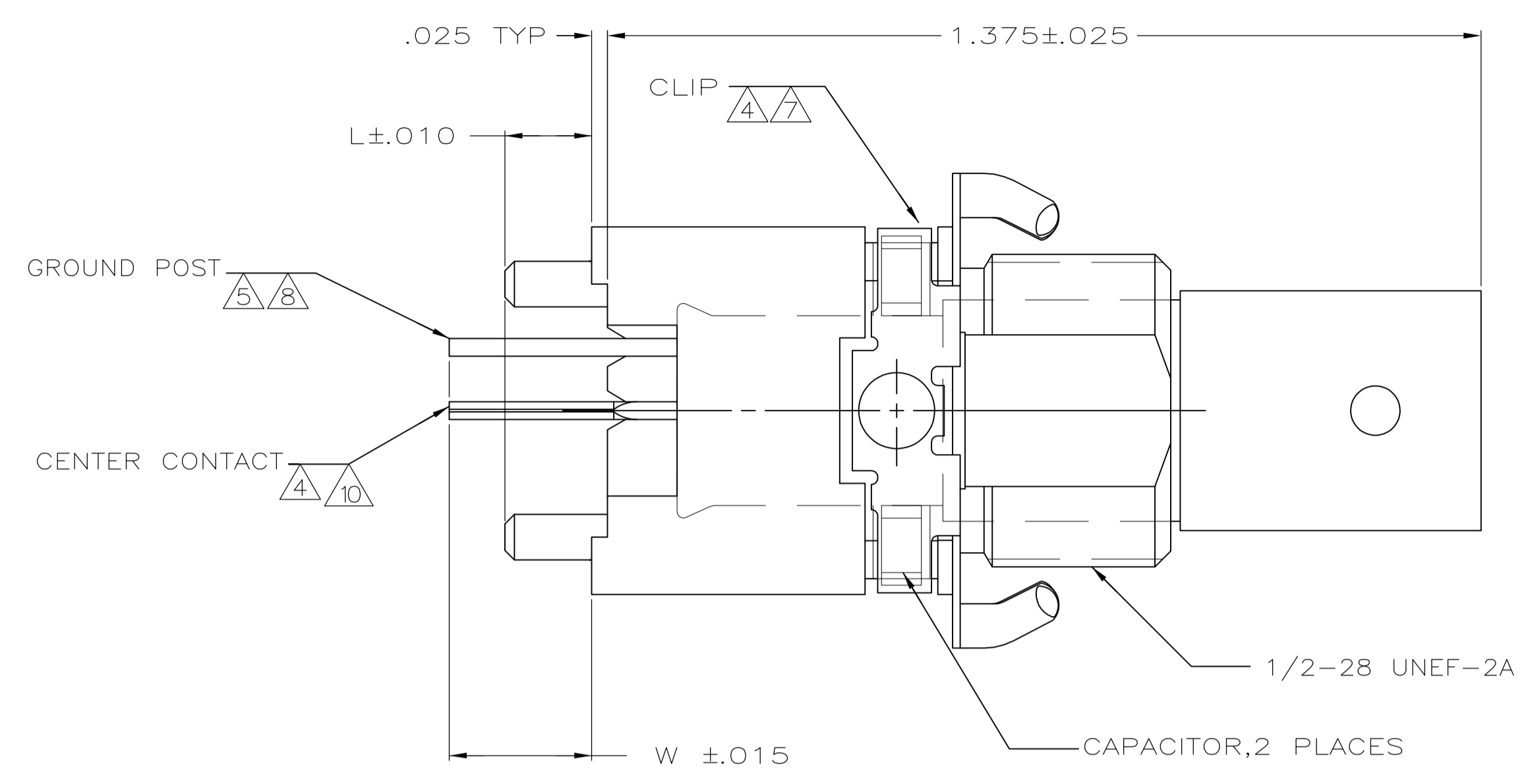
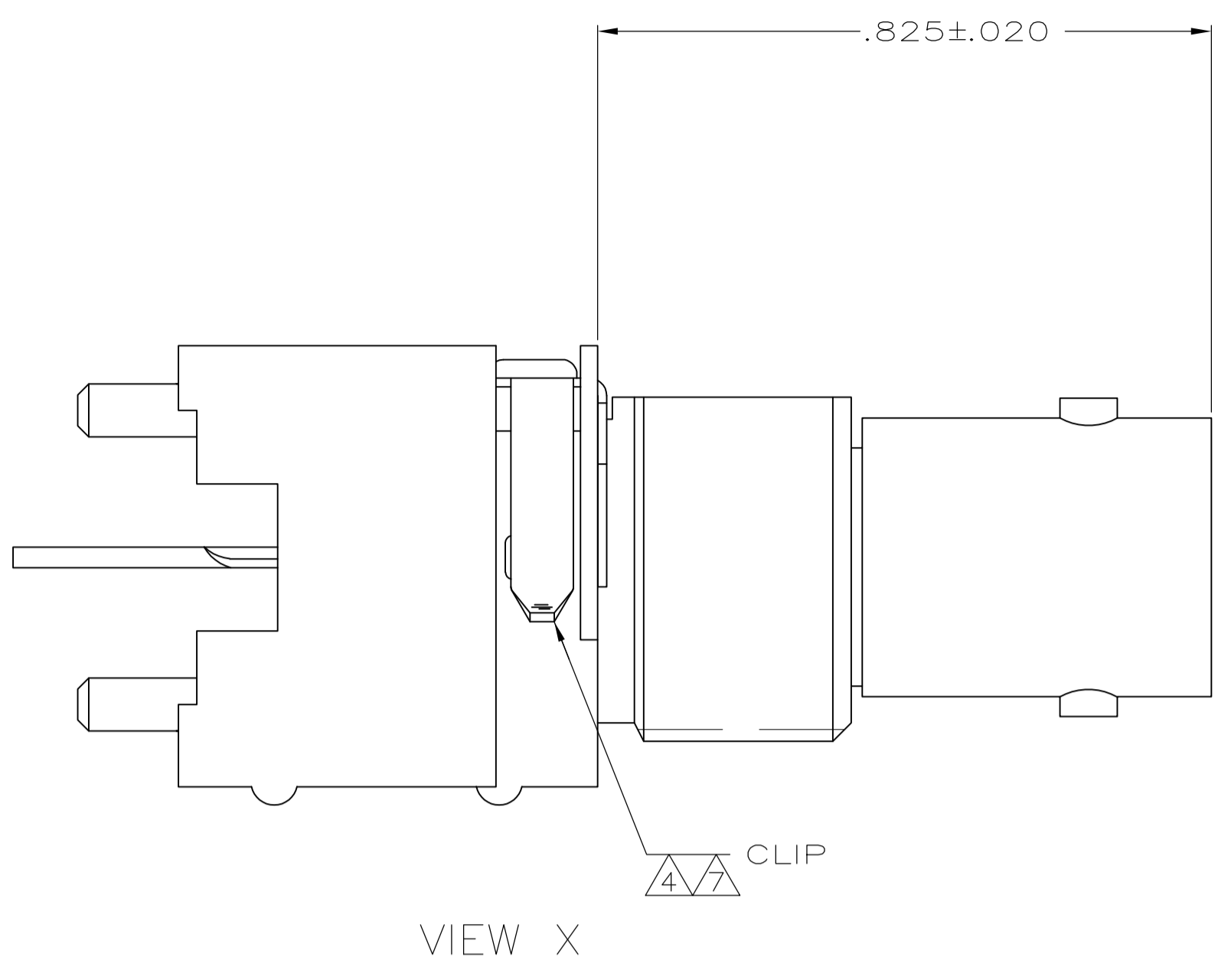
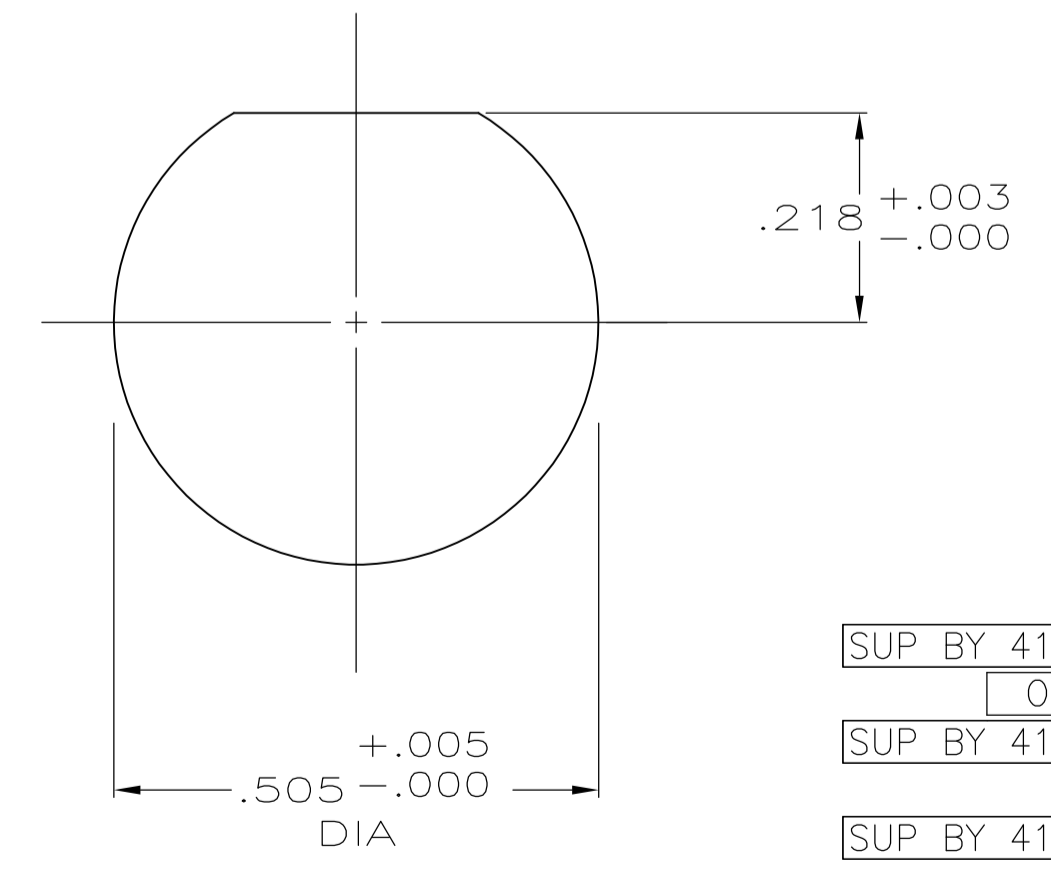
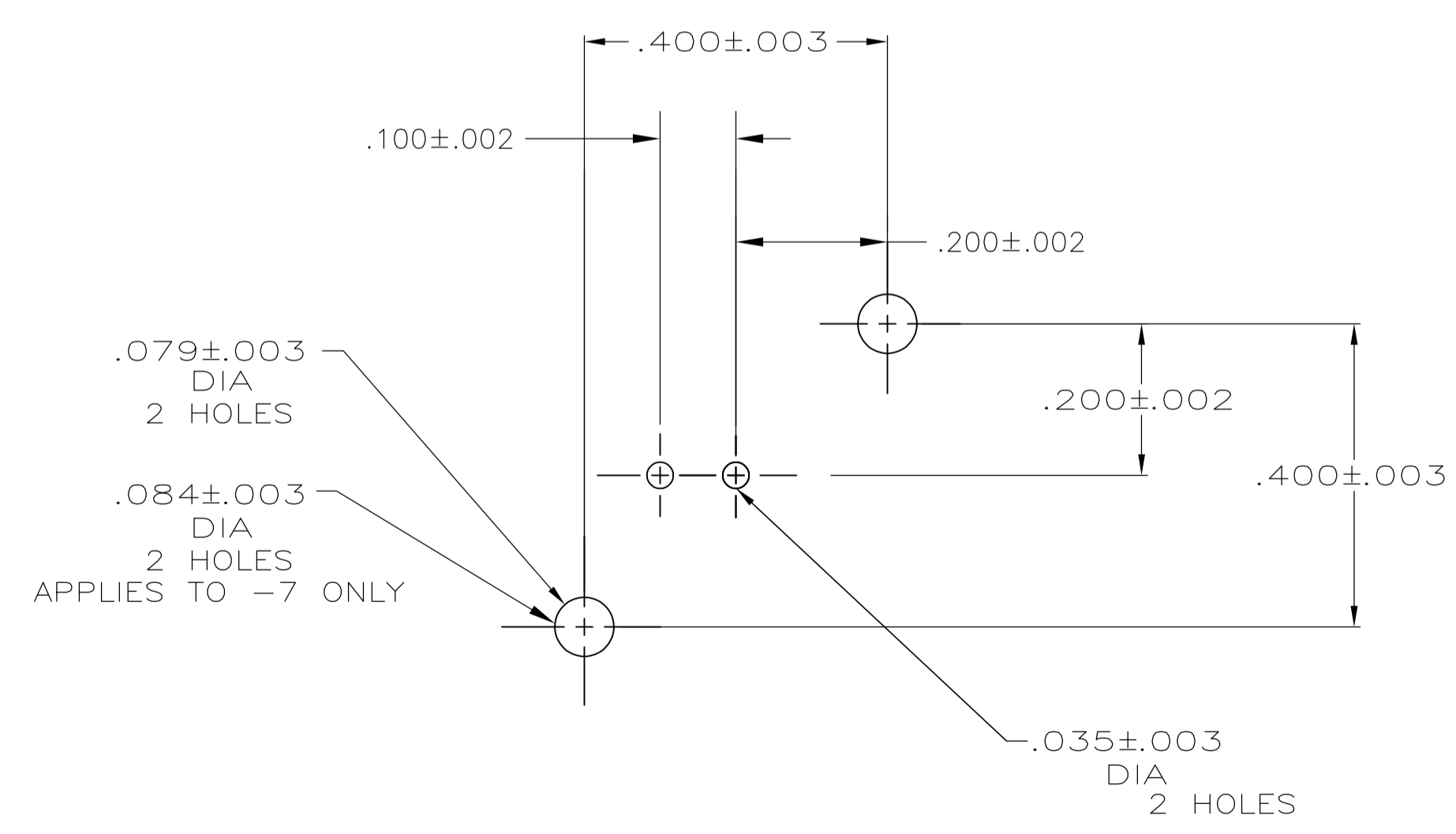
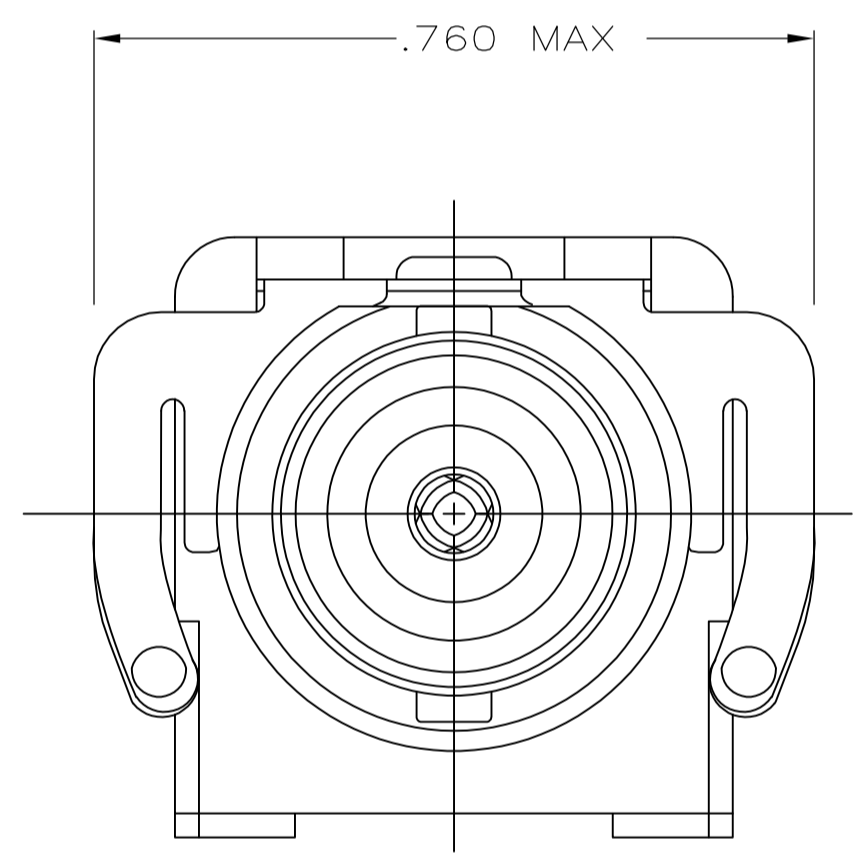
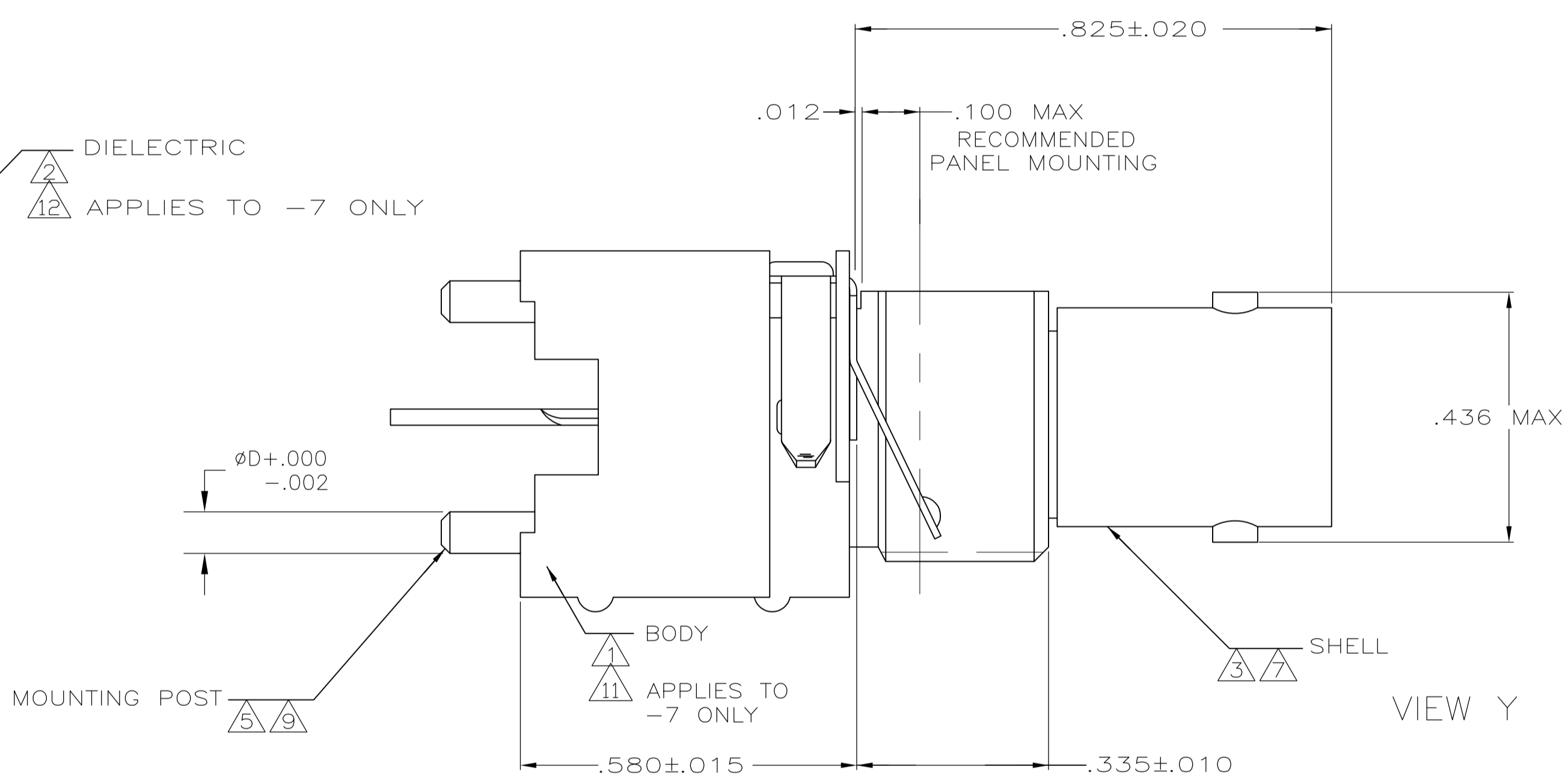
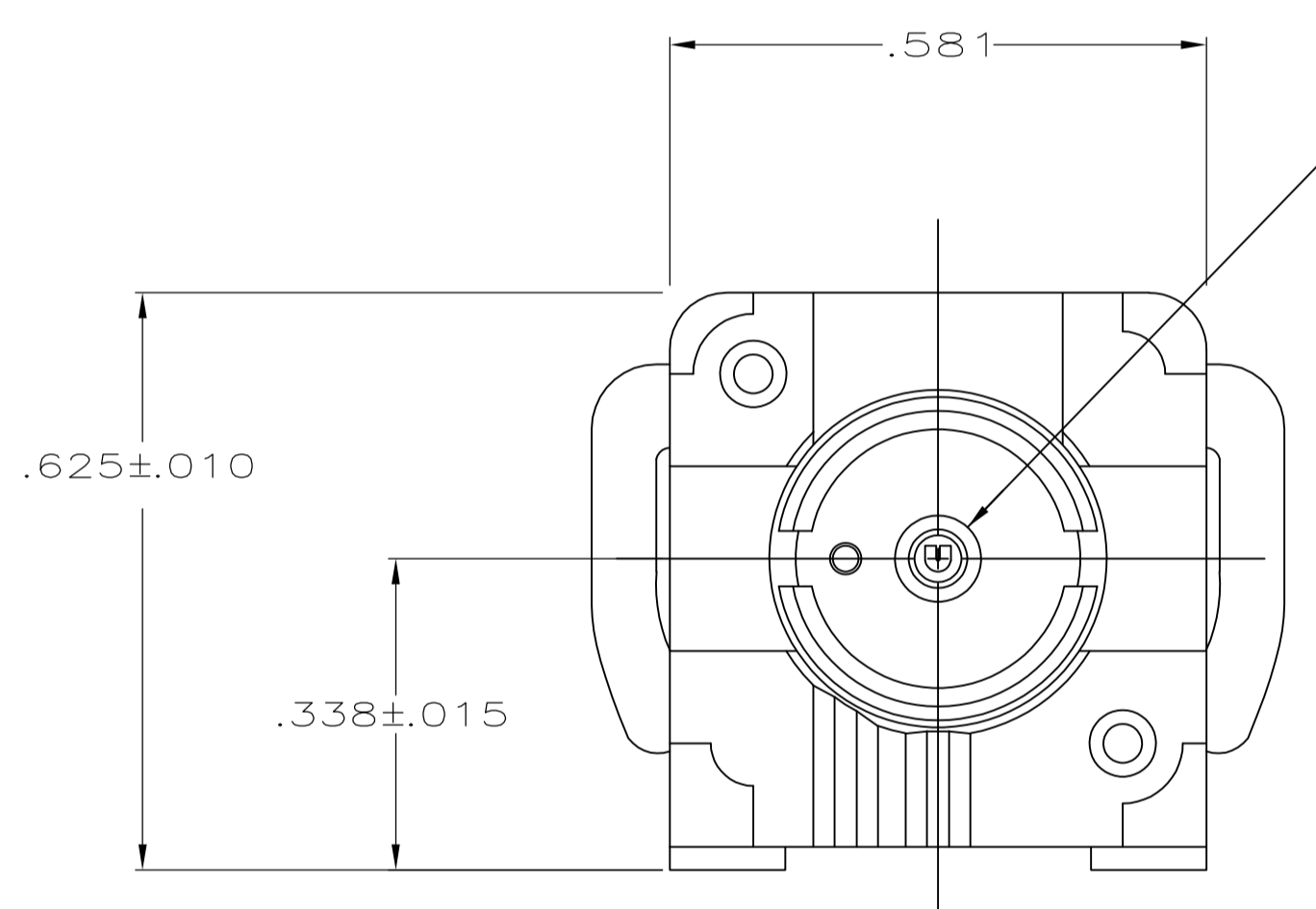


LOC	DIST	REVISIONS			
REV	DATE	BY	CHK	APPV	
V	7/21/2008	DW	JL		
W	10/9/2009	AEG	WKE		
W1	13JAN10	KK	AEG		



- 1 POLYESTER, PBT, BLACK, PER MIL-M-24519
- 2 POLYMETHYLPENTENE GENERAL PURPOSE
- 3 ZINC PER QQ-Z-363
- 4 PHOSPHOR BRONZE PER QQ-B-750
- 5 BRASS PER QQ-B-626
- 6 BRASS PER ASTM-B-453
- 7 NICKEL PL PER QQ-N-290
- 8 TIN PL PER ASTM-B-545
- 9 TIN PL PER ASTM-B-545
- 10 SELECTIVELY GOLD PLATED ON INTERFACE AREA PER: MIL-G-45204, .000030 THK, TIN PLATED ON SOLDER TAIL PER: ASTM-B-545, ALL OVER NICKEL PL PER: QQ-N-290
- 11 POLYESTER, PCT, BLACK, GENERAL PURPOSE
- 12 PTFE PER ASTM-D-1710
- 13 TRAY PACKAGING.



SUP BY	W	øD	L	CLIP VIEW	CAPACITANCE AND VOLTAGE	PART NUMBER
	.169 +.008 -.007	.077	.137	Y	9400 pf, 1500 VDC	413476-7
	.225	.072	.158	Y	9400 pf, 1500 VDC	413476-6
SUP BY 413476-6	.225	.072	.231	Y	9400 pf, 1500 VDC	413476-5
OBSOLETE	.225	.072	.137	X	9400 pf, 1500 VDC	413476-4
SUP BY 413476-2	.225	.072	.137	X	9400 pf, 500 VDC	413476-3
	.225	.072	.137	Y	9400 pf, 1500 VDC	413476-2
SUP BY 413476-2	.225	.072	.137	Y	9400 pf, 500 VDC	413476-1

THIS DRAWING IS A CONTROLLED DOCUMENT.

DIMENSIONS: INCHES
 TOLERANCES UNLESS OTHERWISE SPECIFIED:
 0 PLC ± -
 1 PLC ± -
 2 PLC ± -
 3 PLC ± .008
 4 PLC ± -
 ANGLES ± -

MATERIAL: 1-6, 11, 12
 FINISH: 7, 8, 9, 10

THIS DRAWING IS A CONTROLLED DOCUMENT.
 DWG: P. KERLIN 5/3/90
 CHK: R.E. RUTH 5/18/90
 NAME: R.E. RUTH
 PRODUCT SPEC: 108-1269
 APPLICATION SPEC: -
 SIZE: A1
 CAGE CODE: 00779
 DRAWING NO: 413476
 RESTRICTED TO: -
 WEIGHT: -
 CUSTOMER DRAWING: -
 SCALE: 5:1
 SHEET: 1 of 1
 REV: W1

Tyco Electronics Corporation
 Harrisburg, Pa 17105-3608
 JACK, DECOUPLER, VERTICAL, PCB, SERIES BNC