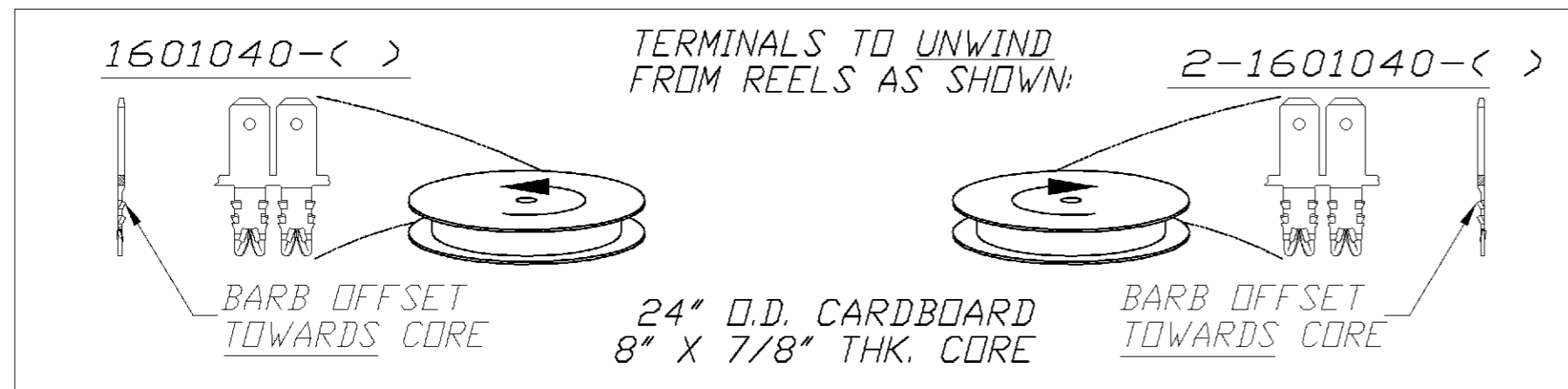
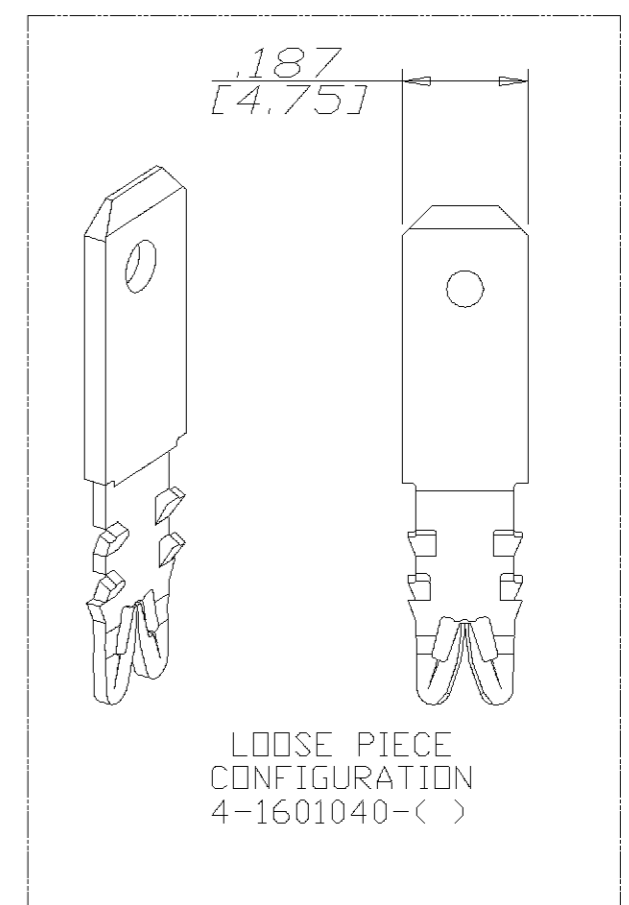
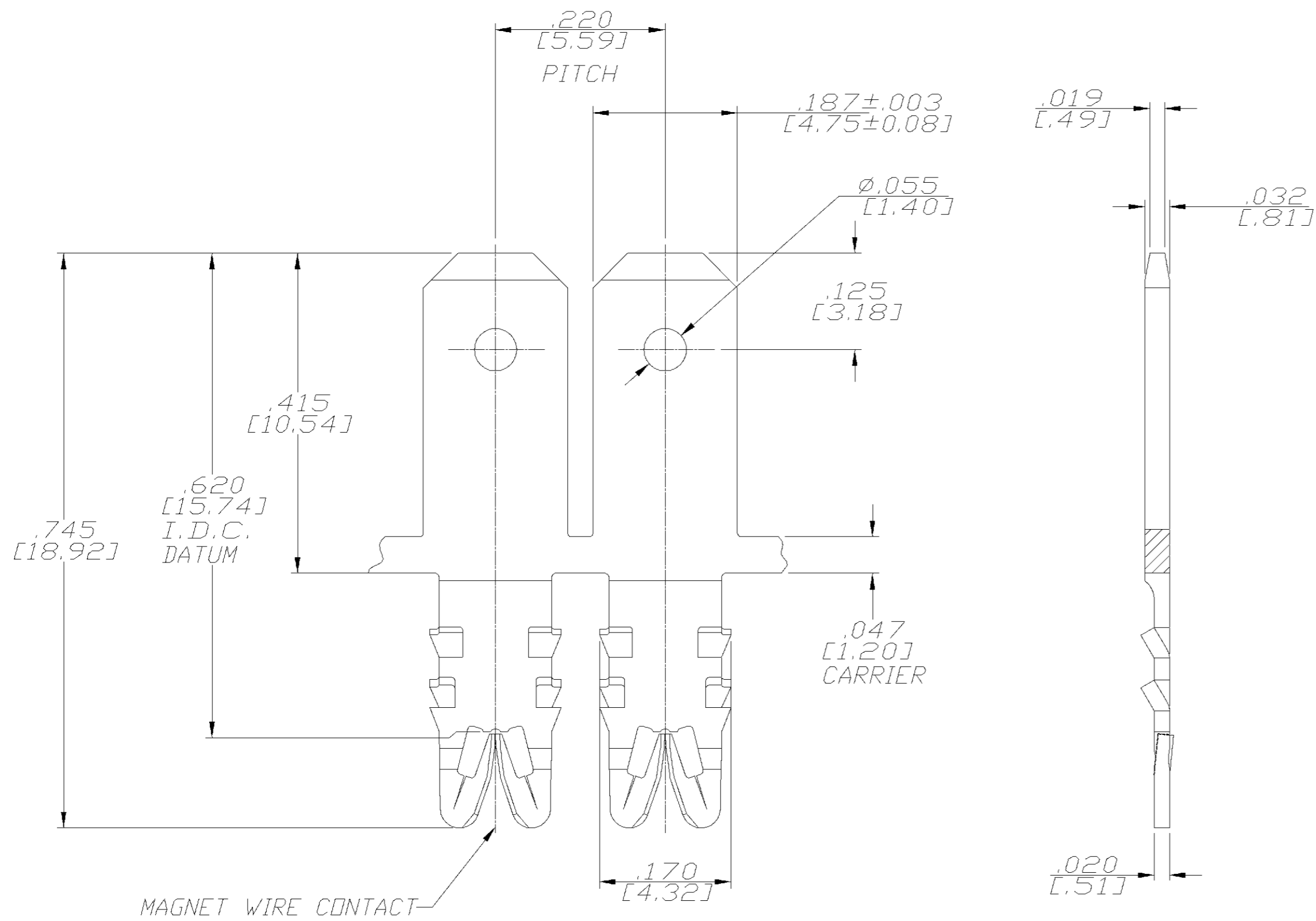


THIS DRAWING IS UNPUBLISHED. RELEASED FOR PUBLICATION
 © COPYRIGHT BY TYCO ELECTRONICS CORPORATION. ALL RIGHTS RESERVED.

LOC	DIST	REVISIONS					
AF	50	P	LTR	DESCRIPTION	DATE	DWN	APVD
		0		CHANGE TO TYCO FORMAT	-	-	-

- SPECIFICATIONS:**
 MAGNET WIRE #18 - #34 AWG,
 .040" (1.02mm) - .006" (0.16mm) DIA.
 OTHER SIZES MAY BE ACCOMMODATED,
 CONSULT TYCO ELECTRONICS FOR
 APPROVAL.
- POCKET RECOMMENDATION:**
 #1601425
- NOTES:**
 TERMINALS SUPPLIED ON REELS,
 CAN BE SUPPLIED LOOSE PIECE,



-	-	-	-
-	-	-	-
-	-	-	-
-	-	-	-
-	-	-	-
131-183-000	UNPLATED	BRASS, 1/2 HARD	1601040-1
REFERENCE P/N	FINISH	MATERIAL	TYCO PART NUMBER

THIS DRAWING IS A CONTROLLED DOCUMENT.		DWN R FLAIG 24MAY2002	Tyco Electronics Corporation Lickdale, PA 17038	
DIMENSIONS: INCHES		CHK G JACONO 24MAY2002		
TOLERANCES UNLESS OTHERWISE SPECIFIED:		APVD G JACONO 24MAY2002	NAME STD. RANGE WIRE TO .187" X .032" MULTI-BARB TAB SIAMEZE TERMINAL	
0 PLC ± - 1 PLC ± - 2 PLC ± - 3 PLC ± .005[0.13] 4 PLC ± - ANGLES ± -		PRODUCT SPEC 108-2085	DRAWING NO A2 00779 C=1601040	
MATERIAL		APPLICATION SPEC 408-8629	SIZE A2	RESTRICTED TO
FINISH		WEIGHT	CAGE CODE 00779	SCALE 1:1
		CUSTOMER DRAWING	SHEET 1 OF 1	REV 0