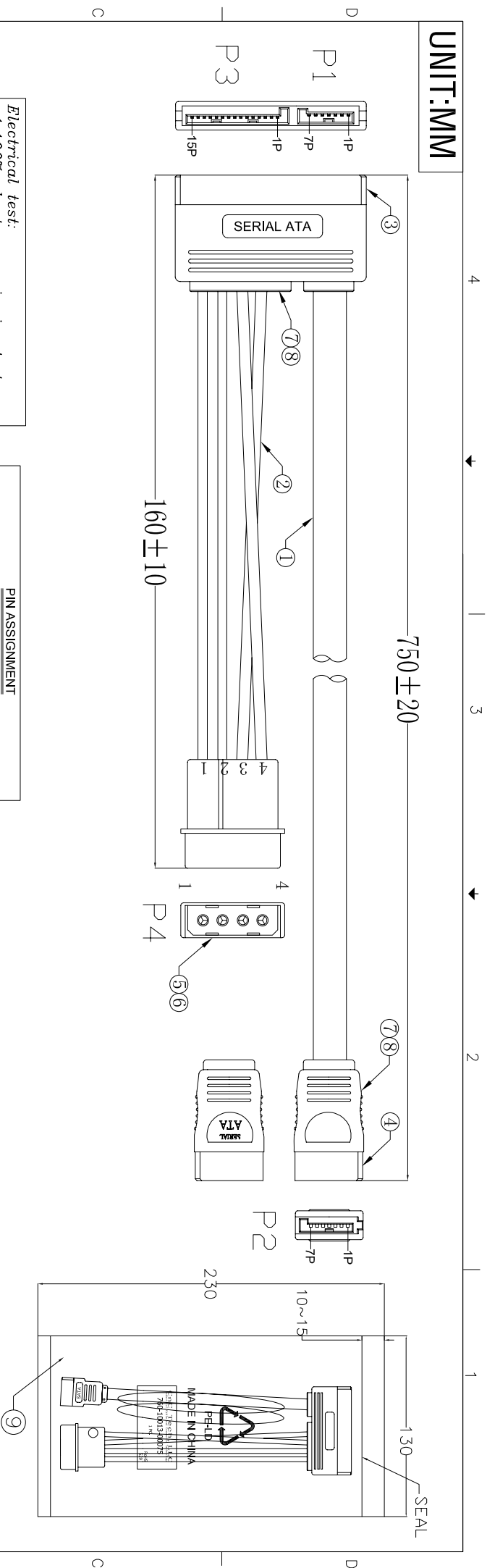
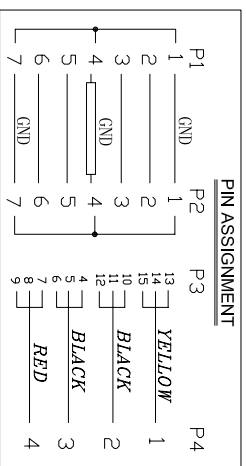


UNIT:MM



Electrical test:
 1. 100% short, open, miswire test
 2. Conduct resistance: 2 Ohm(max)
 3. Insulation resistance: 5Mohm(min)
 4. Hi-Pot test: DC 300V



⑩	PE BAG	1/10	CLEAR SIZE: 280*330*0.05mm PRINT BLACK ¹ MADE IN CHINA ² + ³ 10PCS ⁴ 及在生产周期,有透气孔.
⑨	PE BAG	1	CLEAR SIZE: 130*230*0.05mm PRINT BLACK ¹ MADE IN CHINA ² + ³ 1PC ⁴ 及在生产周期,有透气孔.
⑧	IN JACKET	8g	CLEAR HD-PE
⑦	OUT JACKET	13g	PVC 45P COLOR BLACK
⑥	TERMINAL	4	TERMINAL MALE HPH=5.08mm TIN-PLATED.
⑤	HOUSING	1	BIG 4PIN FEMALE HOUSING PH=5.08mm WHITE
④	CONN	1	SATA 7P/F CONNECTOR:CRIMP TYPE TERMINAL:15U ¹ INSULATOR:BLACK PBT
③	CONN	1	SATA 7P/F+15P/F CONNECTOR:CRIMP TYPE TERMINAL:15U ¹ INSULATOR:BLACK PBT
②	CABLE	1	UL1007 18AWG(41/0.16 TC) OD2.0mm JACKET YELLOW L140mm.
		2	UL1007 18AWG(41/0.16 TC) OD2.0mm JACKET BLACK L140mm.
①	CABLE	1	UL2725 [26AWG(1/0.404)*2+D(1/0.32)*2+AL]*2F OD2.2*7.8mm JACKET RED(RD-16#) L735+10/-0mm.
NO.	NAME	Q'TY	SPECIFICATION

Cnc Tech, LLC
 Industrial Cable and Connector Technology

DRAWN BY	ZHONGHS	DRAWING NO.	
CHECKED BY		CUSTOMER	
APPROVAL BY		ITEM NO.	760-10013-00075
DECIDE BY		DATE	2012-02-16
VERSIONS/EDITION	A/0	PROJECTION	