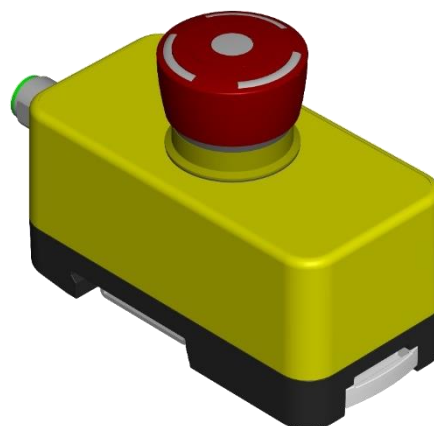


# E-Stop Smart Box (part no. 73-00002.1)

## Technical specifications

### Description

Emergency Stop Smart Box wired to 8 pin M12 plug. The emergency stop switch is non-illuminated. The housing and switches are sealed to IP65 when assembled and connected to a suitable M12 cable.



### Shipped:

- with mounting adapter
- with emergency stop switch, internally wired to 8-pin M12 plug

### Equipment

Connection:

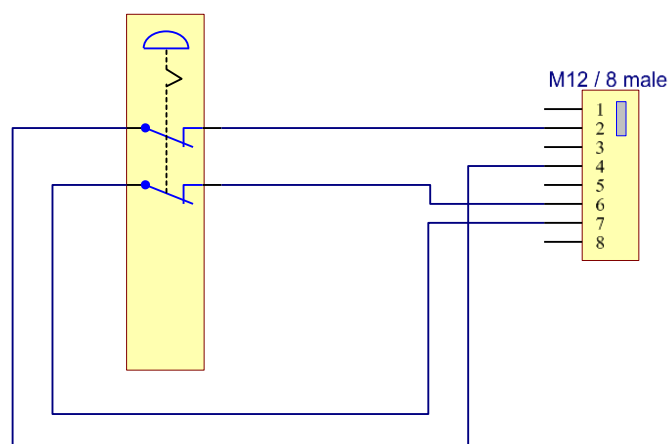
M12 8-pin plug, male, A-coding

Control element:

Series 84 emergency stop switch / non-illuminated / part no. 84-5140.0020

### Connector pin assignment

Pin 1: (Unused)  
Pin 2: Contact 'a'  
Pin 3: (Unused)  
Pin 4: Contact 'a'  
Pin 5: (Unused)  
Pin 6: Contact 'b'  
Pin 7: Contact 'b'  
Pin 8: (Unused)



### Electrical characteristics

Operating voltage:

Maximum 30VDC

Switching rate:

Maximum 2A / contact

For further technical data regarding the emergency stop switch, please refer to the EAO data sheet 84-5140.0020.

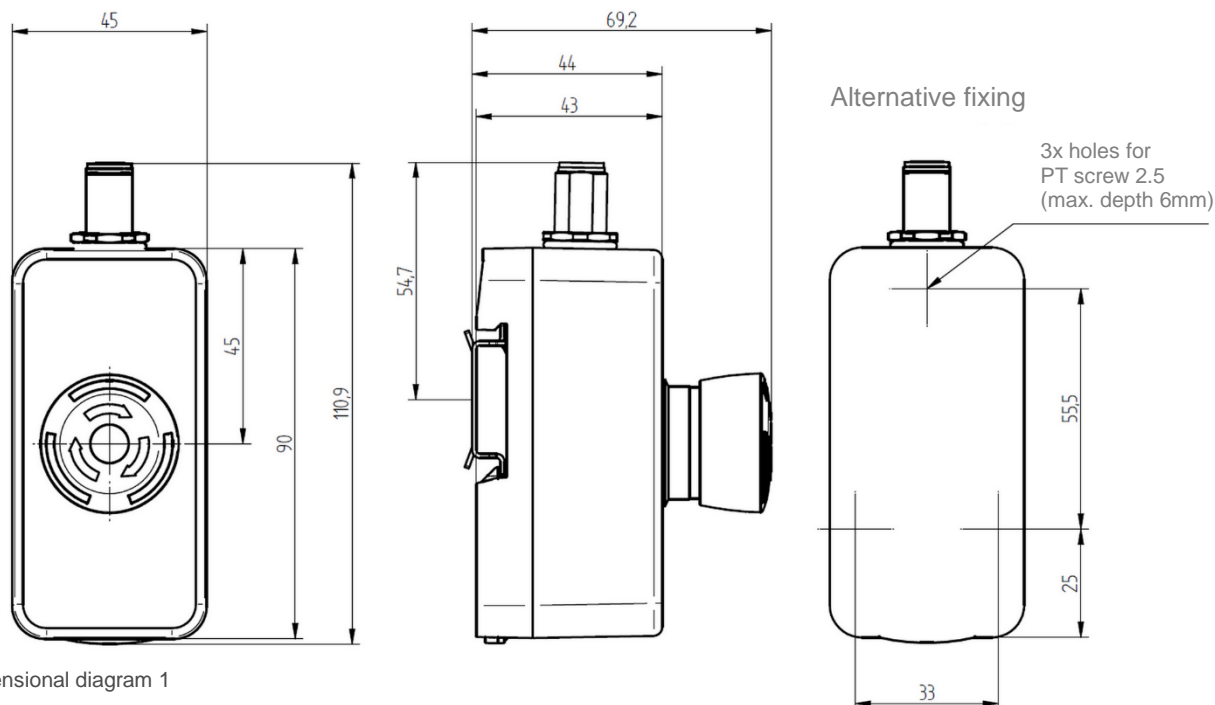
Mechanical characteristics

External dimensions:

See dimensional diagram 1  
(Female M12 connector not included)

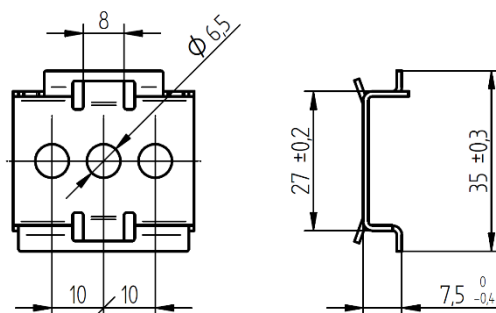
Note:

- The dimensional diagram shows the housing with the emergency stop switch and M12 plug installed
- All side walls exhibit a pull of around 1°.



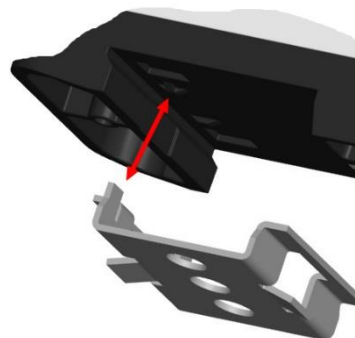
Mounting

- Mount mounting adapter onto mounting surface
- Mount emergency stop Smart Box on one side (note direction of mounting adapter on the housing)
- Push the Smart Box onto the adaptor on the other side until it audibly clicks into place
- Alternatively, the module can be mounted on a standard top hat rail, or it can be mounted on a base using screws on the rear (see dimensional diagrams).



Dismantling

- Pull out spring element using screwdriver and lift Smart Box
- Remove Smart Box from the other side



### Operating temperatures

Temperature range:	Rated temperature:	25°C
	Operating temperature:	-25 ... 65°C
	Storage temperature:	-25 ... 80°C

### Materials

Upper part of housing:	PBT / UL-V0 / colour similar to RAL1004
Lower part of housing:	PBT / UL-V0 / colour similar to RAL9011
Spring element (for restraint):	POM (nature)
Seal:	MVQ silicone foam bright
Mounting adaptor:	Stainless steel 1.4301 / surface vibratory finish
Housing screws:	Stainless steel A2
M12 connector housing:	Die cast zinc

### Standards

Degree of protection:	IP65 (with mounted emergency stop switch and female connector)
Insulation:	EN 60664-1:2008 / degree of contamination I / insulation material IIIa/b
EMC:	Defined based on components of EAO Series 84
Vibrations:	EN 60068-2-6:2008-10 / 10 – 150Hz / 2g
Shock:	EN 60068-2-27:2010-02 / 15g / 11ms
Approvals (emergency stop switch only)	EN 60947-5-1 / EN 60947-5-5 / EN 13850 / EN 60204
Approvals (emergency stop switch only)	UL / CB IEC 60947
Certificates	CE

**EAO reference number: Part no. 73-00002.1**

EAO reserves the right to change specifications without further notice.