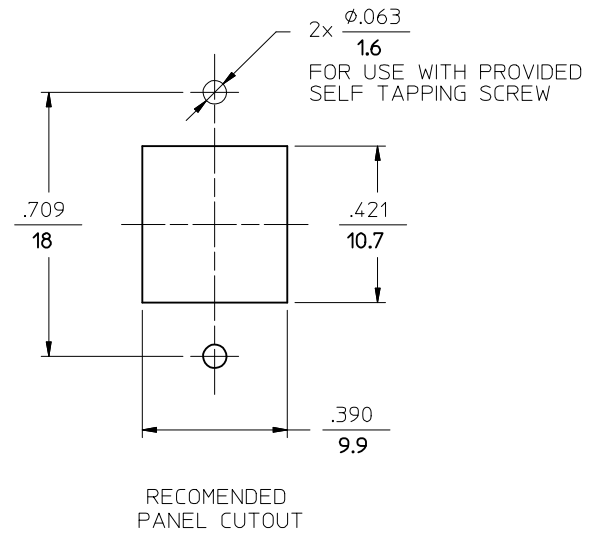
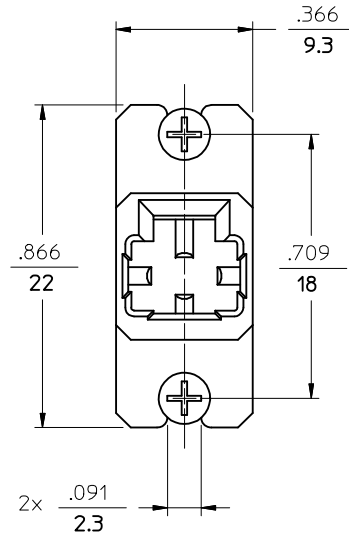
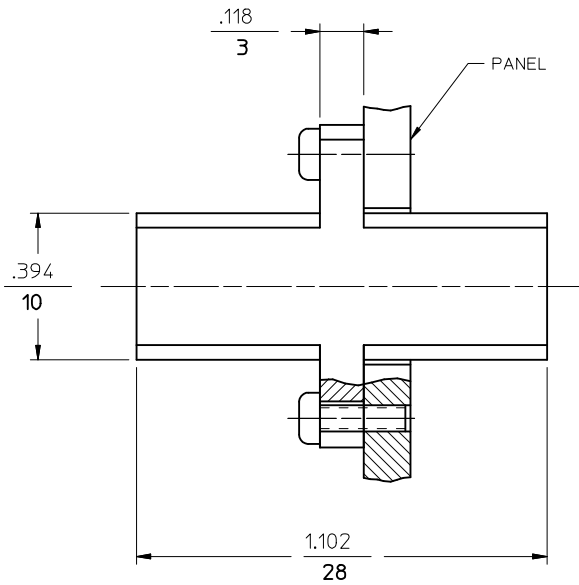


10 9 8 7 6 5 4 3 2 1



| | | | | | | | | | |
|---|------------------------------------|---|---------|---------------------------------|--------------------------------|-------------------------------|-----------------------------|-------------------------------|--|
| ENTER DESCRIPTION EC NO: MF2009-0224 DRW: KPEVZNER 2008/11/11 CHKD: 2008/11/11 APPR: LGUMIN 2008/11/13 | QUALITY SYMBOLS =0 =0 | GENERAL TOLERANCES (UNLESS SPECIFIED) | | DIMENSION STYLE IN/MM | | SCALE 3:1 | DESIGN UNITS INCH | THIRD ANGLE PROJECTION | |
| | | 4 PLACES ± --- ± --- 3 PLACES ± --- ± --- 2 PLACES ± --- ± --- 1 PLACE ± --- ± --- | mm INCH | DRAWN BY RPACIFICI | DATE 2005/10/25 | TITLE MT-RJ ADAPTER | | | |
| | | ANGULAR ±1/2° | | APPROVED BY | DATE | MOLEX INCORPORATED | | | |
| | | DRAFT WHERE APPLICABLE MUST REMAIN WITHIN DIMENSIONS | | MATERIAL NO. 1061020000 | DOCUMENT NO. SD-106102-0000 | SHEET NO. 1 OF 01 | | | |
| REV A1 | DESCRIPTION | THIS DRAWING CONTAINS INFORMATION THAT IS PROPRIETARY TO MOLEX INCORPORATED AND SHOULD NOT BE USED WITHOUT WRITTEN PERMISSION | | | | | | | |

9 8 7 6 5 4 3 2 1