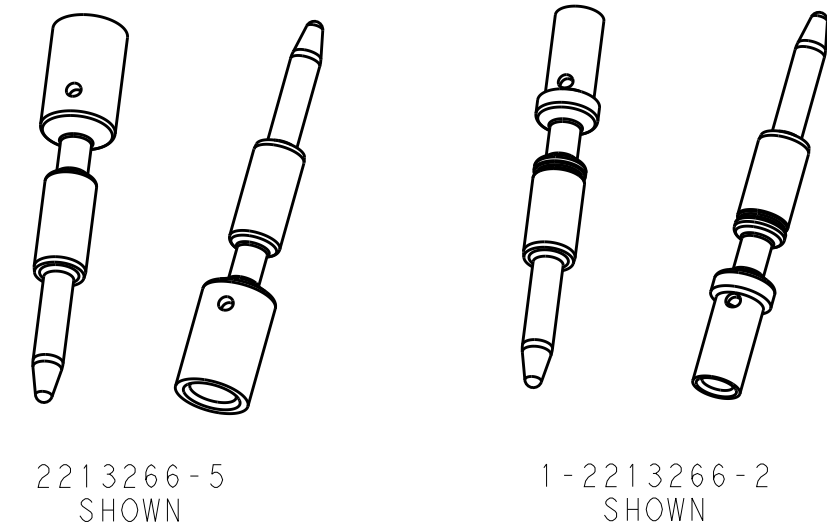
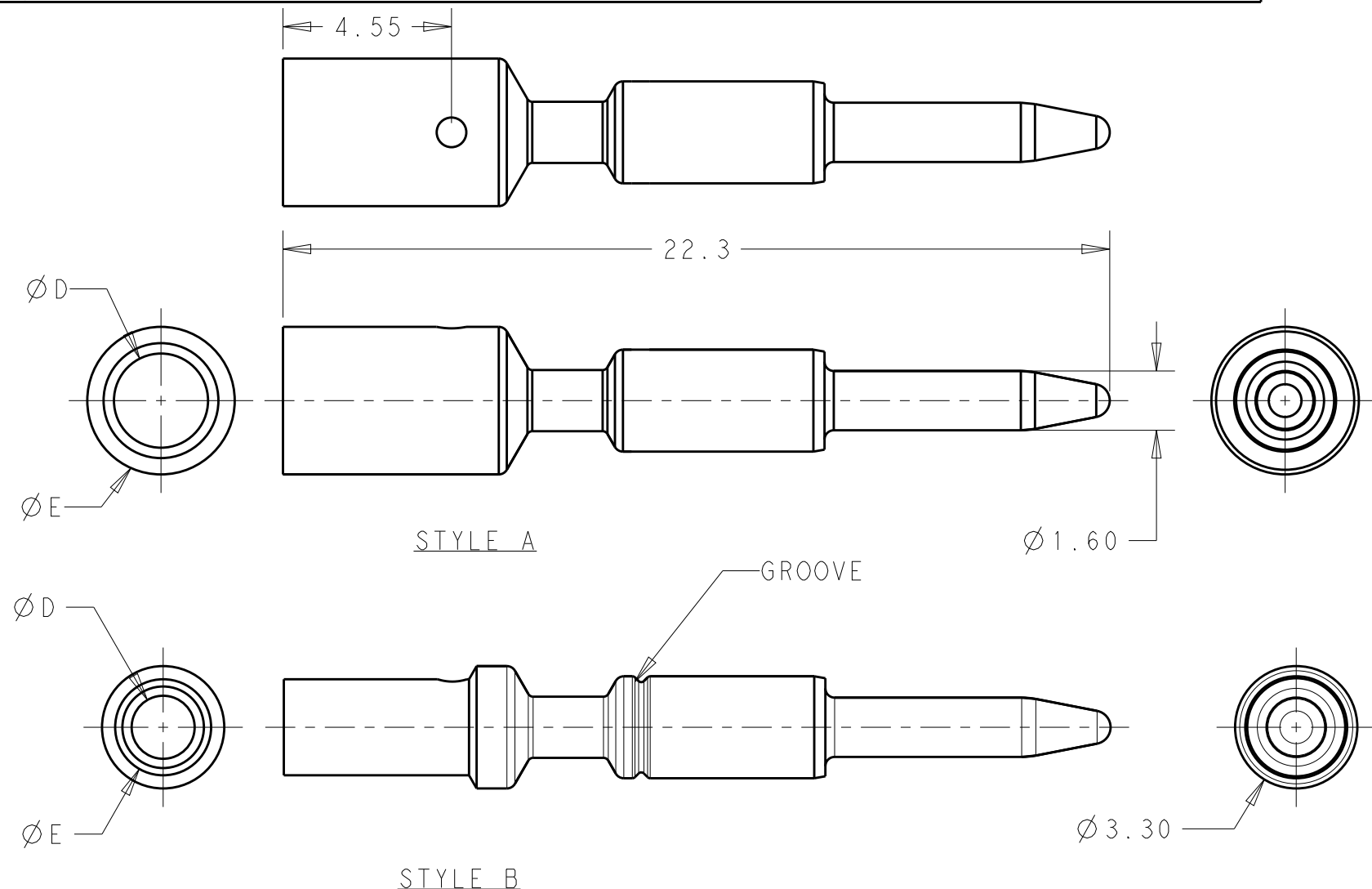


THIS DRAWING IS UNPUBLISHED. RELEASED FOR PUBLICATION 20
 © COPYRIGHT 20 BY - ALL RIGHTS RESERVED.

LOC	DIST	REVISIONS			
P	LTR	DESCRIPTION	DATE	DWN	APVD
-	-	A	REVISED AS PER ECR-15-005925	21APR2015	RS JL



- NOTES:
1. MATERIALS AND FINISH:
COPPER ALLOY, FINISH: Sn OVER Ni
 2. MUST COMPLY WITH DIRECTIVE 2002/95/EC (ROHS)
 3. THIS PRODUCT HAS NOT COMPLETED VALIDATION TESTING

16/18	2.59	1.70	1	B	1-2213266-2
14	3.98	2.54	N/A	A	2213266-5
WIRE (AWG)	DIM. "E"	DIM. "D"	NO OF GROOVES	BARREL STYLE	PART NO

THIS DRAWING IS A CONTROLLED DOCUMENT.		DWN RAVI.S 29MAY2013			
DIMENSIONS: mm		CHK C GINGRICH 29MAY2013			
TOLERANCES UNLESS OTHERWISE SPECIFIED:		APVD C GINGRICH 29MAY2013	NAME MACHINED PIN CONTACT NECTOR M-LINE		
0 PLC ± 1 PLC ±0.3 2 PLC ±0.15 3 PLC ± 4 PLC ± ANGLES ±		PRODUCT SPEC 108-133014	SIZE A3		
MATERIAL NOTE 1		APPLICATION SPEC 114-32111	CAGE CODE 00779	DRAWING NO C-2213266	RESTRICTED TO -
FINISH NOTE 1		WEIGHT -	SCALE 3:1 SHEET 1 OF 1 REV A		
Customer Drawing					