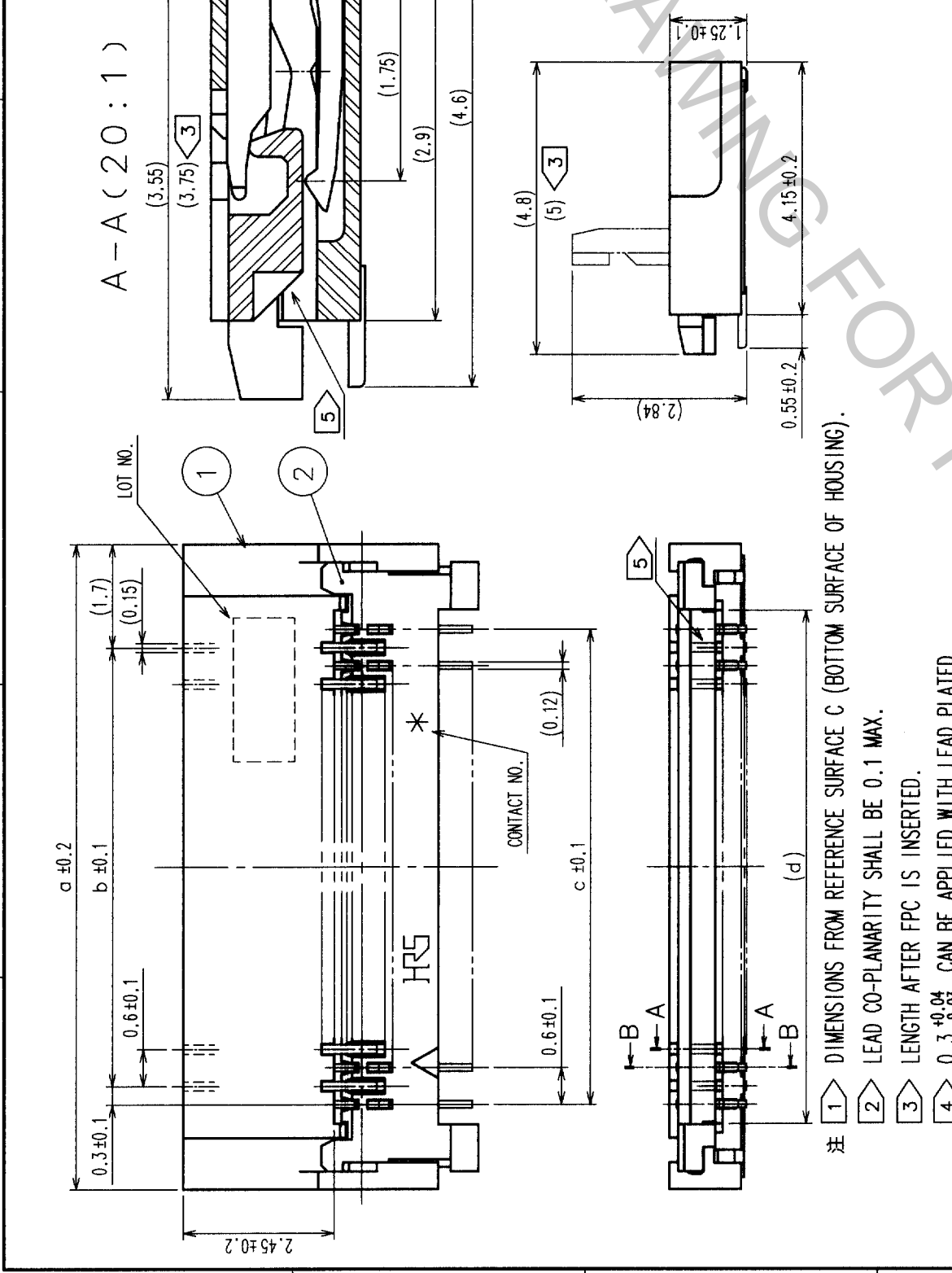


COUNT	DESCRIPTION OF REVISIONS	BY	CHKD	DATE	COUNT	DESCRIPTION OF REVISIONS	BY	CHKD	DATE

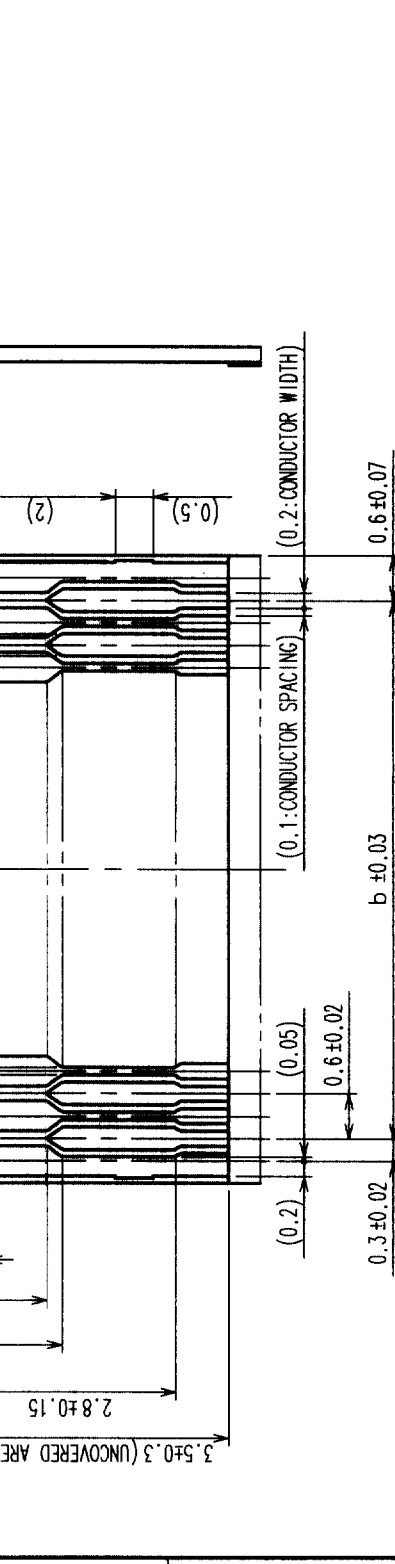


注 1 DIMENSIONS FROM REFERENCE SURFACE C (BOTTOM SURFACE OF HOUSING).
 2 LEAD CO-PLANARITY SHALL BE 0.1 MAX.
 3 LENGTH AFTER FPC IS INSERTED.
 4 $0.3^{+0.04}_{-0.03}$ CAN BE APPLIED WITH LEAD PLATED.
 5 PREVENTIVE HOLES FOR SINK MARK ARE APPLIED TO POSITIONS OF 33 OR LARGER.
 6 NOTE THAT PREVENTIVE HOLE FOR SINK MARK COULD BE ADDED FOR IMPROVEMENT. THE QUALITY REMAINS GOOD, EVEN WITH THE DARK SPOTS, WHICH COULD OCCASIONALLY OCCUR ON MOLDED PLASTIC.

DIMENSION MATRIX

PART NO.	CODE NO.	NO. OF CONTACT	a	b	c	d	e
FH23-15S-0.3SHAW(05)	CL586-1316-7-05	15	7	3.6	4.2	4.83	4.8
FH23-17S-0.3SHAW(05)	CL586-1301-0-05	17	7.6	4.2	4.8	5.43	5.4
FH23-21S-0.3SHAW(05)	CL586-1315-4-05	21	8.8	5.4	6	6.63	6.6
FH23-25S-0.3SHAW(05)	CL586-1323-2-05	25	10	6.6	7.2	7.83	7.8
FH23-27S-0.3SHAW(05)	CL586-1309-1-05	27	10.6	7.2	7.8	8.43	8.4
FH23-31S-0.3SHAW(05)	CL586-1303-5-05	31	11.8	8.4	9	9.63	9.6
FH23-33S-0.3SHAW(05)	CL586-1305-0-05	33	12.4	9	9.6	10.23	10.2
FH23-39S-0.3SHAW(05)	CL586-1307-6-05	39	14.2	10.8	11.4	12.03	12
FH23-45S-0.3SHAW(05)	CL586-1319-5-05	45	16	12.6	13.2	13.83	13.8
FH23-51S-0.3SHAW(05)	CL586-1313-9-05	51	17.8	14.4	15	15.63	15.6
FH23-61S-0.3SHAW(05)	CL586-1311-3-05	61	20.8	17.4	18	18.63	18.6
FH23-71S-0.3SHAW(05)	CL586-1321-7-05	71	23.8	20.4	21	21.63	21.6

RECOMMENDED METAL MASK THICKNESS : t=0.10



TO _____
 NC _____

NO.	MATERIAL	FINISH, REMARKS	NO.	MATERIAL	FINISH, REMARKS
3	PHOSPHOR BRONZE	GOLD FLASH OVER NICKEL 1μ MIN.			
2	LCP	BLACK		UL94V-0	
1	LCP	BEIGE		UL94V-0	
4	PHOSPHOR BRONZE	GOLD FLASH OVER NICKEL 1μ MIN.			

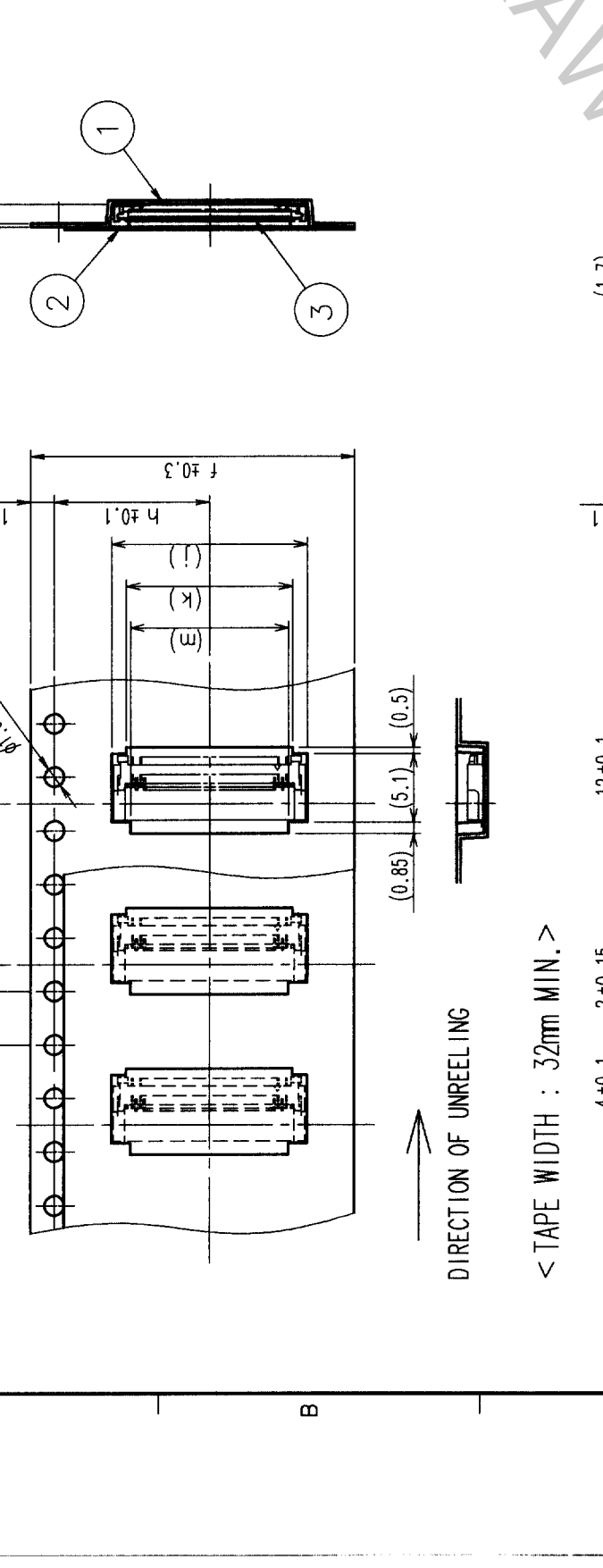
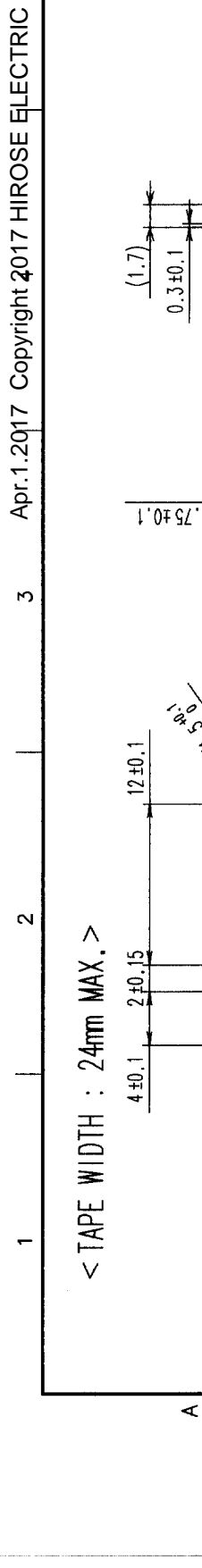
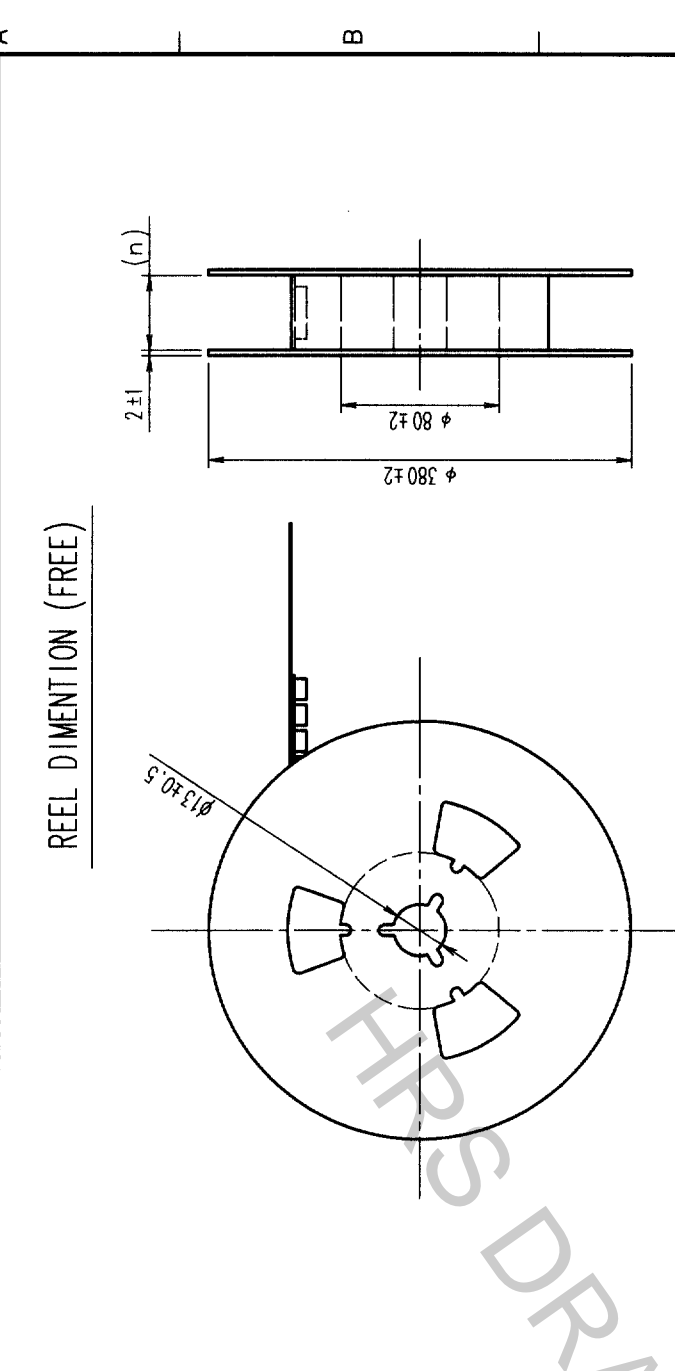
CODE NO. (OLD)	DESIGNED	CHECKED	APPROVED	RELEASED
	S. OKAMURA		R. Takayama	

DRAWING NO.	PART NO.
EDC3-153685-01	FH23-*S-0.3SHAW(05)

SCALE 10 : 1

UNITS mm

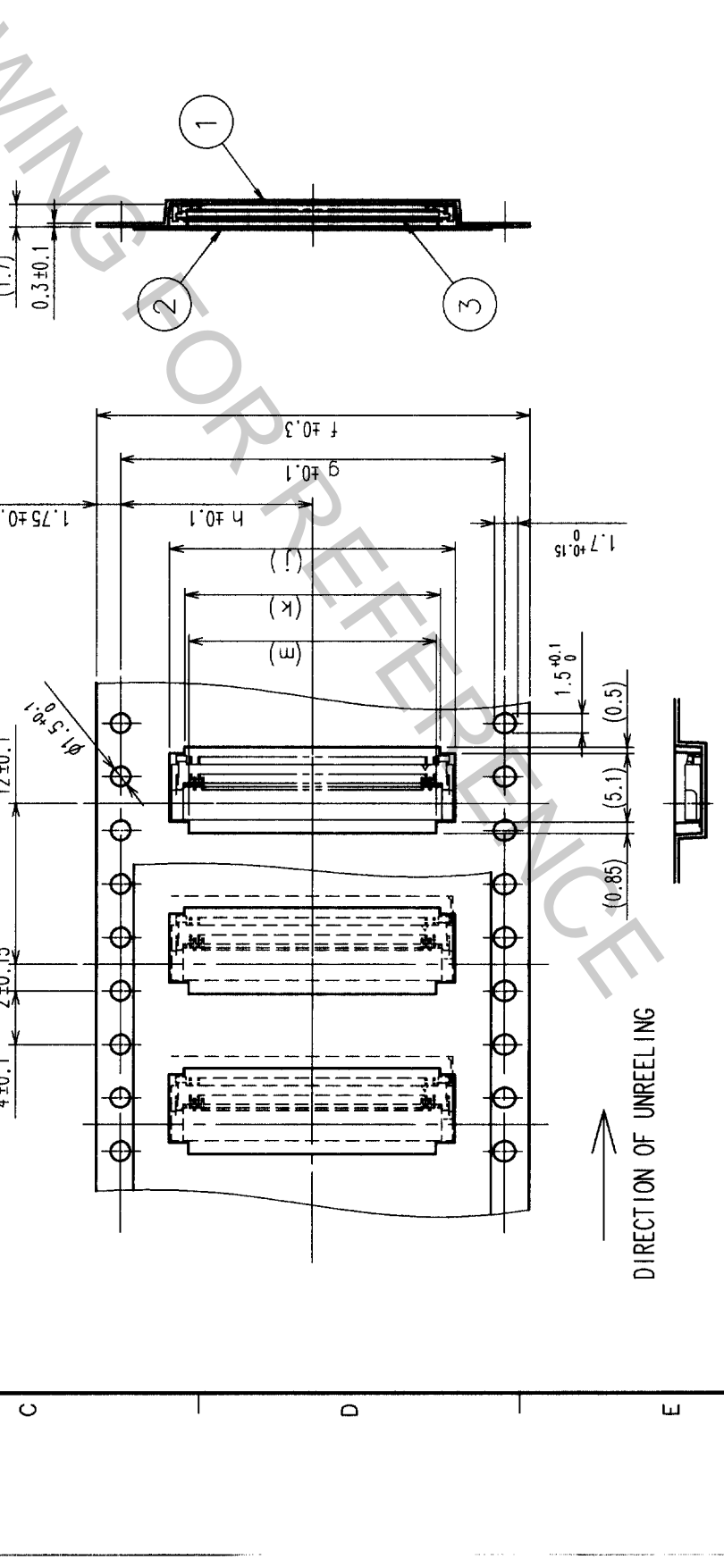
COUNT	DESCRIPTION OF REVISIONS	BY	CHKD	DATE	COUNT	DESCRIPTION OF REVISIONS	BY	CHKD	DATE
△					△				
△					△				
△					△				



NOTES 1 THE DIMENSIONS IN PARENTHESES ARE FOR REFERENCE.
2 PER REEL : 2500 CONNECTORS.

DIMENTION MATRIX

PRT. NO.	CODE NO.	PHOTO OF CONTACT	f	g	h	j	k	m	n
FH23-15S-0.3SHAW(05)	CL586-1316-7-05	15	16	16	7.5	7.3	5.1	4.5	16.5
FH23-17S-0.3SHAW(05)	CL586-1301-0-05	17	16	16	7.5	7.9	5.7	5.1	16.5
FH23-21S-0.3SHAW(05)	CL586-1315-4-05	21	16	16	7.5	9.1	6.9	6.3	16.5
FH23-25S-0.3SHAW(05)	CL586-1323-2-05	25	24	24	11.5	10.3	8.1	7.5	24.5
FH23-27S-0.3SHAW(05)	CL586-1309-1-05	27	24	24	11.5	10.9	8.7	8.1	24.5
FH23-31S-0.3SHAW(05)	CL586-1303-5-05	31	24	24	11.5	12.1	9.9	9.3	24.5
FH23-33S-0.3SHAW(05)	CL586-1305-0-05	33	24	24	11.5	12.7	10.5	9.9	24.5
FH23-39S-0.3SHAW(05)	CL586-1307-6-05	39	24	24	11.5	14.5	12.3	11.7	24.5
FH23-45S-0.3SHAW(05)	CL586-1319-5-05	45	24	24	11.5	16.3	14.1	13.5	24.5
FH23-51S-0.3SHAW(05)	CL586-1313-9-05	51	24	24	11.5	18.1	15.9	15.3	24.5
FH23-61S-0.3SHAW(05)	CL586-1311-3-05	61	32	28.4	14.2	21.1	18.9	18.3	32.5
FH23-71S-0.3SHAW(05)	CL586-1321-7-05	71	44	40.4	20.2	24.1	21.9	21.3	44.5



2	POLYESTER		4	
1	POLYSTYRENE		3	(CONNECTOR)
NO.	MATERIAL	FINISH, REMARKS	NO.	MATERIAL
CODE NO. (OLD)		DRAWN		FINISH, REMARKS
		S. OKAMURA	S. OKAMURA	DESIGNED
		02.11.11	02.11.11	CHECKED
			02.11.11	APPROVED
			02.11.12	RELEASED
DRAWING NO.		PART NO.		
EDC3-153685-01		FH23-*S-0.3SHAW(05)		
SCALE		CODE NO.		
2 : 1		CL586-		
UNITS		mm		

