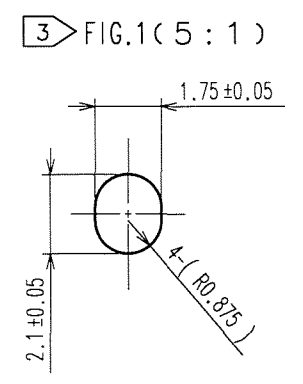
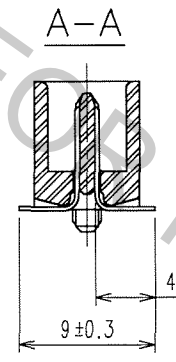
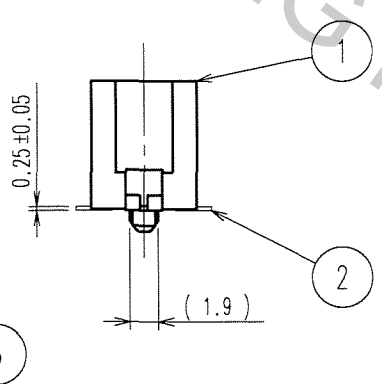
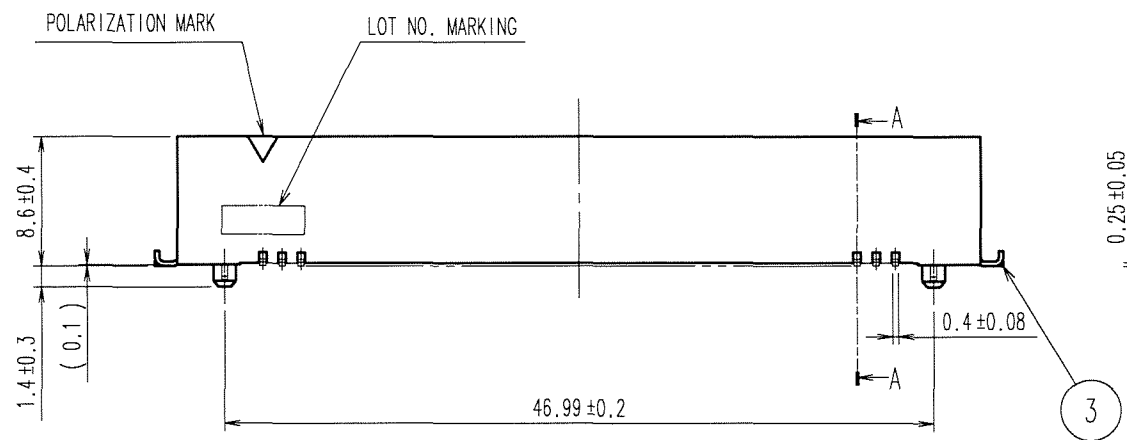
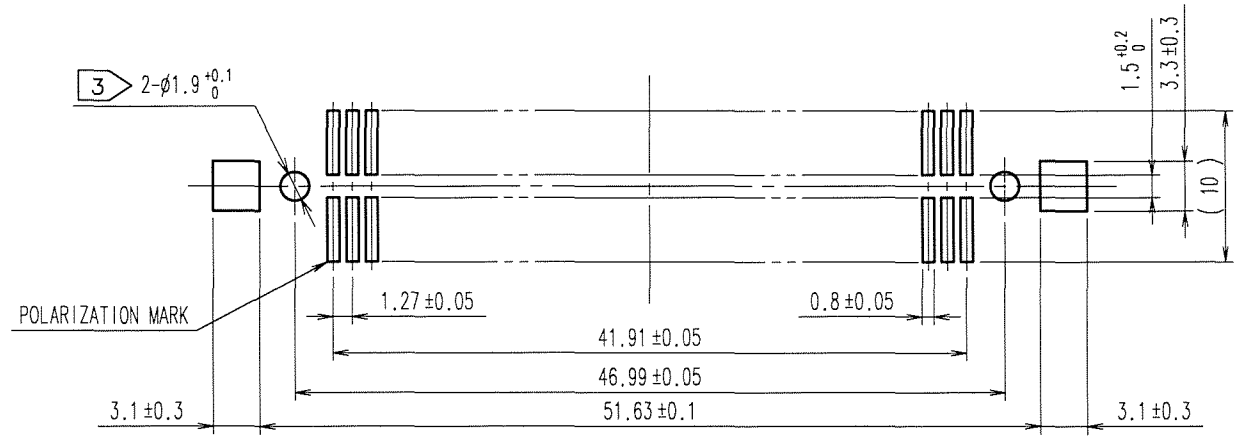
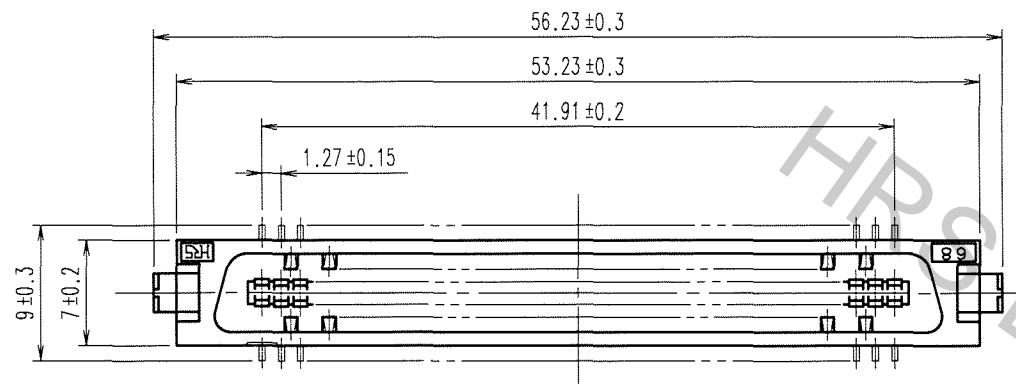


Apr.1.2017 Copyright 2017 HIROSE ELECTRIC CO., LTD. All Rights Reserved.

| COUNT | DESCRIPTION OF REVISIONS | BY | CHKD | DATE | COUNT | DESCRIPTION OF REVISIONS | BY | CHKD | DATE |
|-------|--------------------------|----|------|------|-------|--------------------------|----|------|------|
| △ | | | | .. | △ | | | | .. |
| △ | | | | .. | △ | | | | .. |
| △ | | | | .. | △ | | | | .. |

RECOMMENDED LAND PATTERN DIMENSION OF PCB (MOUNTING SIDE)



- NOTES
- 1 LEAD CO-PLANARITY SHALL BE 0.15 MAX.
 - 2 THE DIMENSIONS IN PARENTHESES ARE FOR REFERENCE.
 - 3 IN CASE OF THE AUTOMATED MOUNTING, RECOMMENDED HOLE DIAMETER OF BOSS IS SHOWN IN FIG.1.

TO
PCK

| 3 | BRASS | TIN-PLATING | 2 | PHOSPHOR BRONZE | CONTACT AREA:GOLD 0.2μ m min. |
|-------------------------------|----------|-----------------------|----------------------------------|--------------------|---------------------------------|
| 1 | PPS | LIGHT BROWN (UL94V-0) | | | LEAD AREA:TIN-PLATING 2μ m min. |
| | | | | | UNDER PLATING:NICKEL 2μ m min. |
| NO. | MATERIAL | FINISH, REMARKS | NO. | MATERIAL | FINISH, REMARKS |
| CODE NO. (OLD) CL | | | DRAWN | DESIGNED | CHECKED |
| | | | A.SUZUKAWA | <i>K. Nakamura</i> | <i>K. Ogawa</i> |
| | | | 06.03.07 | 06.03.07 | 06.03.07 |
| | | | | <i>H. Okawa</i> | |
| | | | | 06.03.07 | |
| DRAWING NO. EDC3-082407-21 | | | PART NO. FX2-68P-1.27SVL (71) | | |
| SCALE 2 : 1 | | | CODE NO. CL572-2056-0-71 | | |
| UNITS mm | | | 1/1 | | |
| HRS HIROSE ELECTRIC CO., LTD | | | | | |