

4

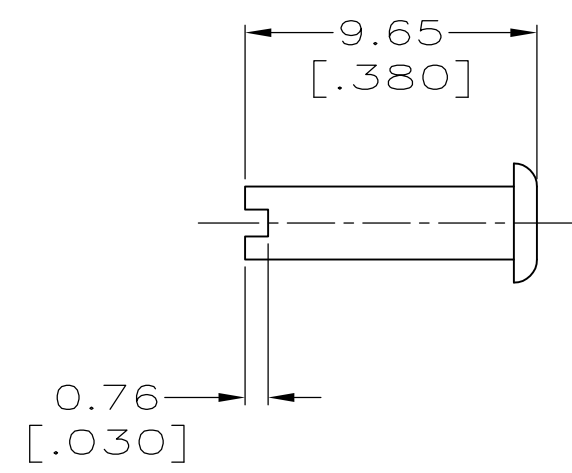
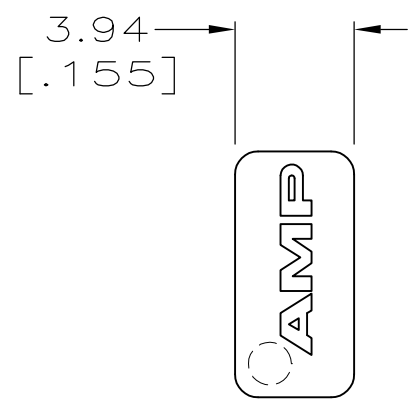
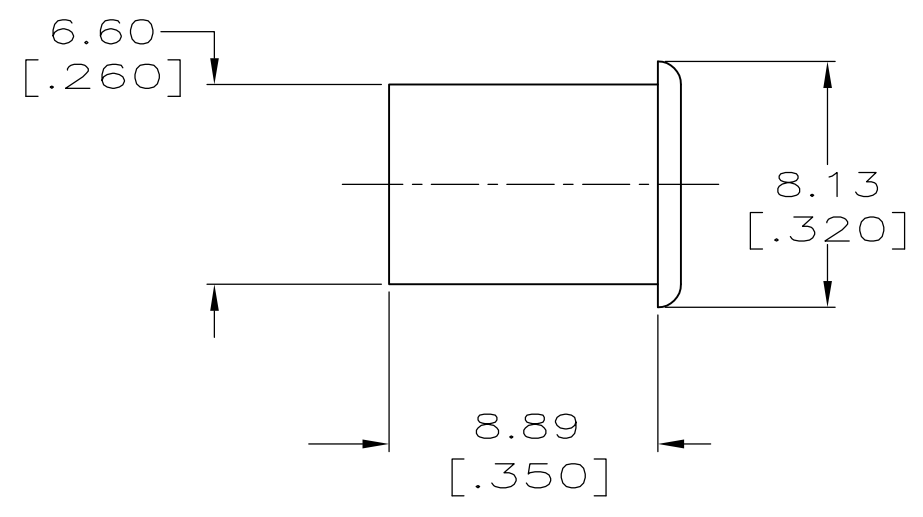
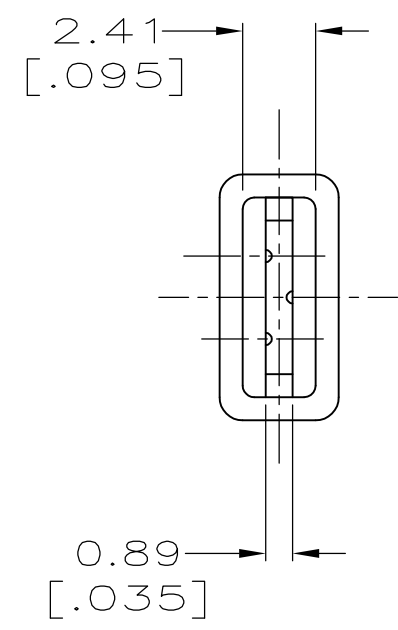
3

2

1

THIS DRAWING IS UNPUBLISHED. RELEASED FOR PUBLICATION ,19 .
 © COPYRIGHT 19 BY AMP INCORPORATED. ALL RIGHTS RESERVED.

LOC	DIST	REVISIONS					
AF	50	P	LTR	DESCRIPTION	DATE	DWN	APVD
			C1	REV PER ECR 07-014995	09OCT07	JR	PD



1 TO FIT ANY STANDARD 4.75 [.187] SERIES TAB 0.51 [.020] THICK.

360041-1
PART NO.

THIS DRAWING IS A CONTROLLED DOCUMENT.		DWN	JR RUTH	12/15/98	AMP AMP Incorporated Harrisburg, PA 17105-3608	
DIMENSIONS: MM [INCHES]		CHK	MS FEHER	12/15/98		
		APVD	S UNGER	12/15/98		
		PRODUCT SPEC		NAME		CAP, TAB, 4.75 [.187] SERIES
TOLERANCES UNLESS OTHERWISE SPECIFIED:		APPLICATION SPEC		—	RESTRICTED TO	
0 PLC ±- 1 PLC ±- 2 PLC ±0.38 [.015] 3 PLC ±- 4 PLC ±- ANGLES ±-		WEIGHT		—	—	
MATERIAL		FINISH		NATURAL		
NYLON 6/6, V2		CUSTOMER DRAWING		SCALE	4:1	
		SIZE	A3	CAGE CODE	00779	
		DRAWING NO	C- 360041		SHEET	1 OF 1
				REV	C1	