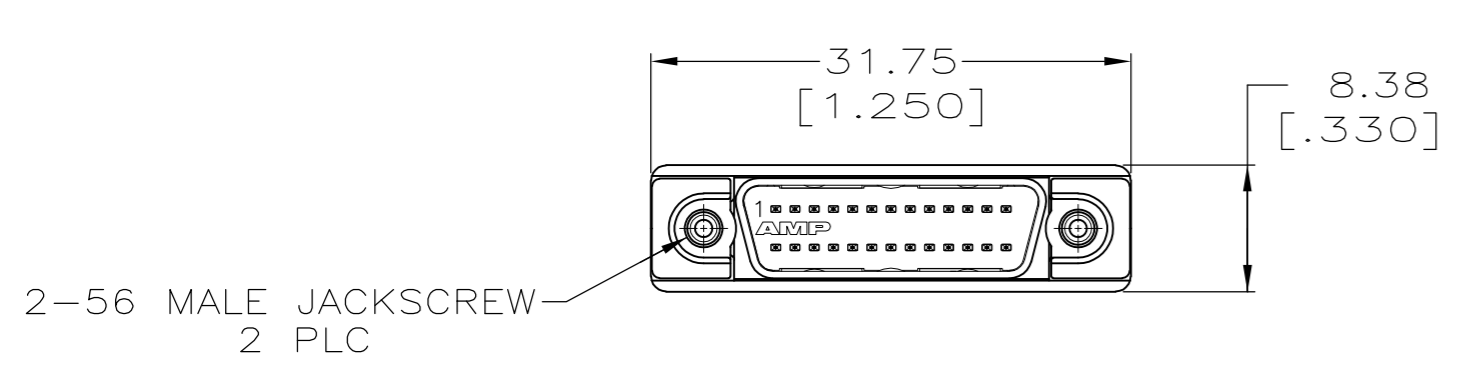
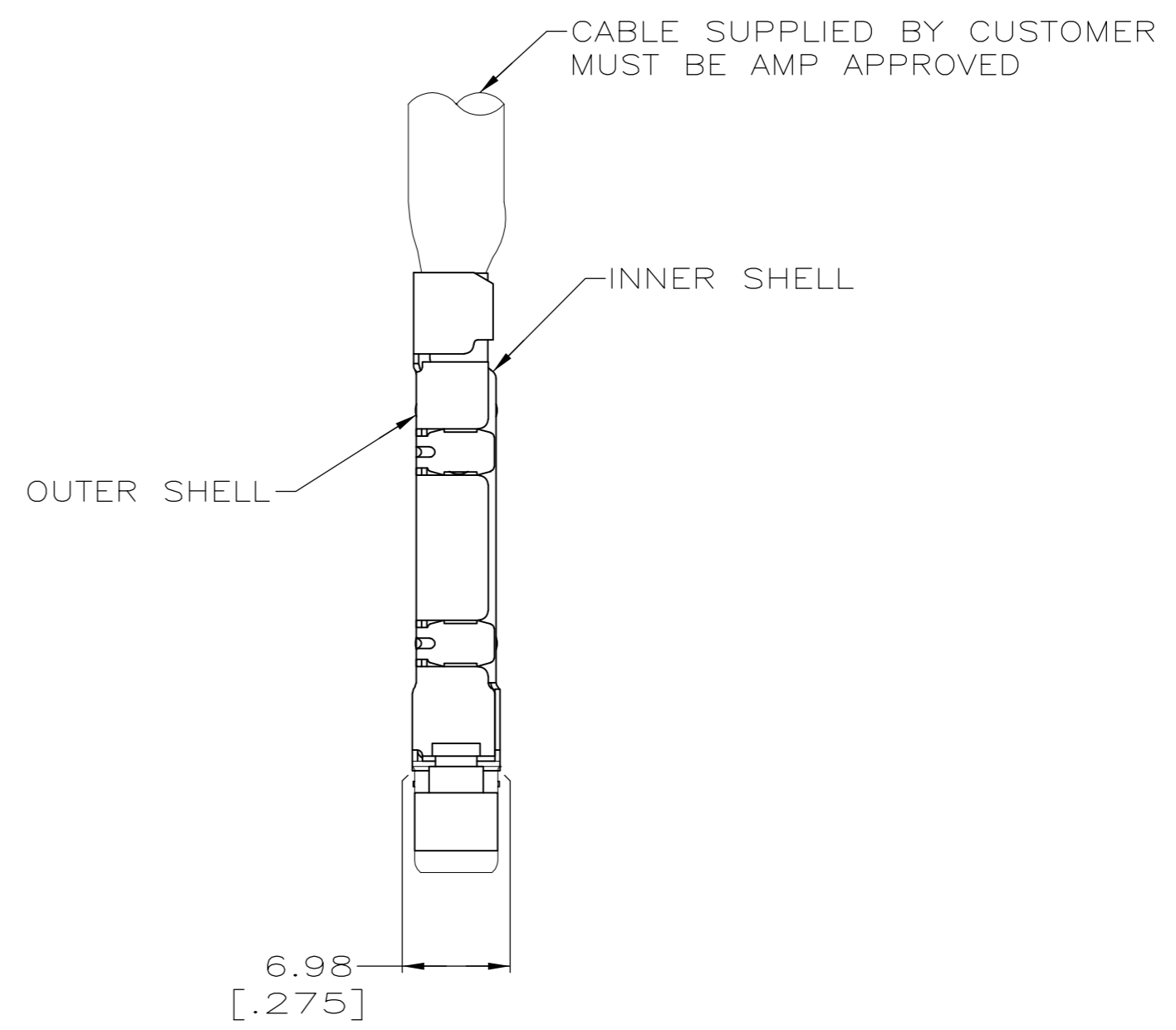
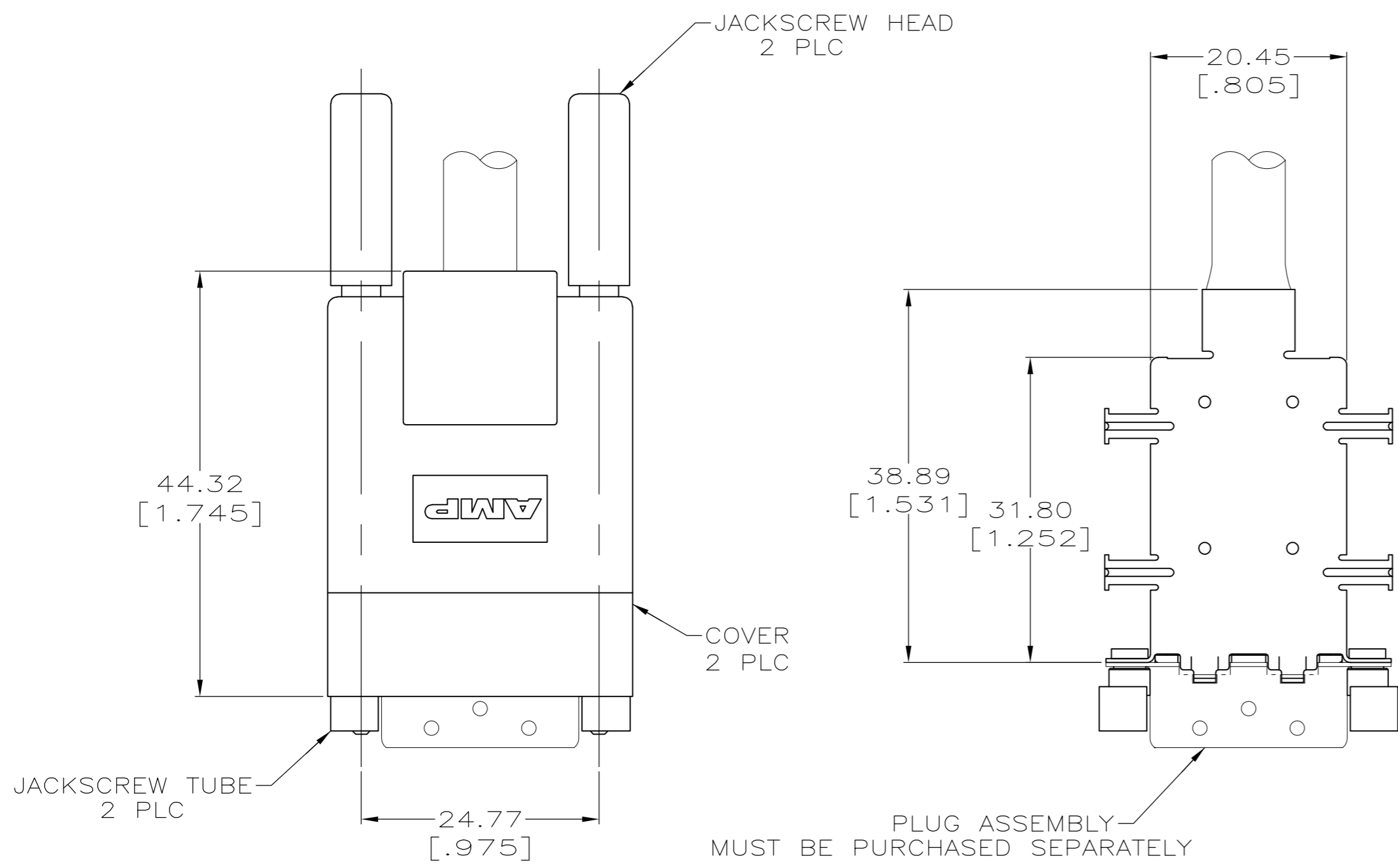


THIS DRAWING IS UNPUBLISHED. RELEASED FOR PUBLICATION  
 © COPYRIGHT - By - ALL RIGHTS RESERVED.

LOC		DIST		REVISIONS			
P	LTR	DESCRIPTION		DATE	DWN	APVD	
GP	00	J		REVISED PER ECO-11-012755	27JUL2011	CJV	SLB



- 1 COMPONENTS PACKAGED AS A UNIT KIT.
- 2 COMPONENTS INDIVIDUALLY BULK PACKED AND COMBINED IN ONE SHIPPING CONTAINER.
- 3 UL 94V-0 RATED, ABS MOLDING COMPOUND, COLOR: SEE TABLE.
- 4. TIN PLATING PER MIL-T-10727, COPPER PER MIL-C-14550.
- 5 ZINC PLATE PER ASTM B633, TYPE III, CLASS SC1, CLEAR CHROMATE.
- 6 5.08µm [.000200] MIN TIN OVER 5.08µm [.000200] MIN COPPER.
- 7 OBSOLETE PART NUMBER.

CABLE DIAMETER	PACKAGING	COLOR	PART NUMBER
7.11-7.87 [.280-.310]	2	BLACK	750850-8
6.35-7.11 [.250-.280]	1	BLACK	750850-7
7.11-7.87 [.280-.310]	2	BLACK	750850-6
6.35-7.11 [.250-.280]	1	BLACK	750850-5
7.11-7.87 [.280-.310]	2	GRAY	750850-4
6.35-7.11 [.250-.280]	1	GRAY	750850-3
7.11-7.87 [.280-.310]	2	GRAY	750850-2
6.35-7.11 [.250-.280]	1	GRAY	750850-1

THIS DRAWING IS A CONTROLLED DOCUMENT.

DWN M.MCCAFFREY 01/06/92	TE Connectivity
CHK R.FRANTZ 01/06/92	
APVD -	NAME
PRODUCT SPEC 108-1366	BACKSHELL KIT, 26 POSITION, PLUG, UNKEYED, SLIMLINE, AMPLIMITE .050 SERIES
APPLICATION SPEC 114-40036	SIZE A2
MATERIAL 3	CAGE CODE 00779
FINISH 5 6	DRAWING NO C=750850
CUSTOMER DRAWING	
SCALE 2:1	SHEET 1 of 1
REV J	RESTRICTED TO -