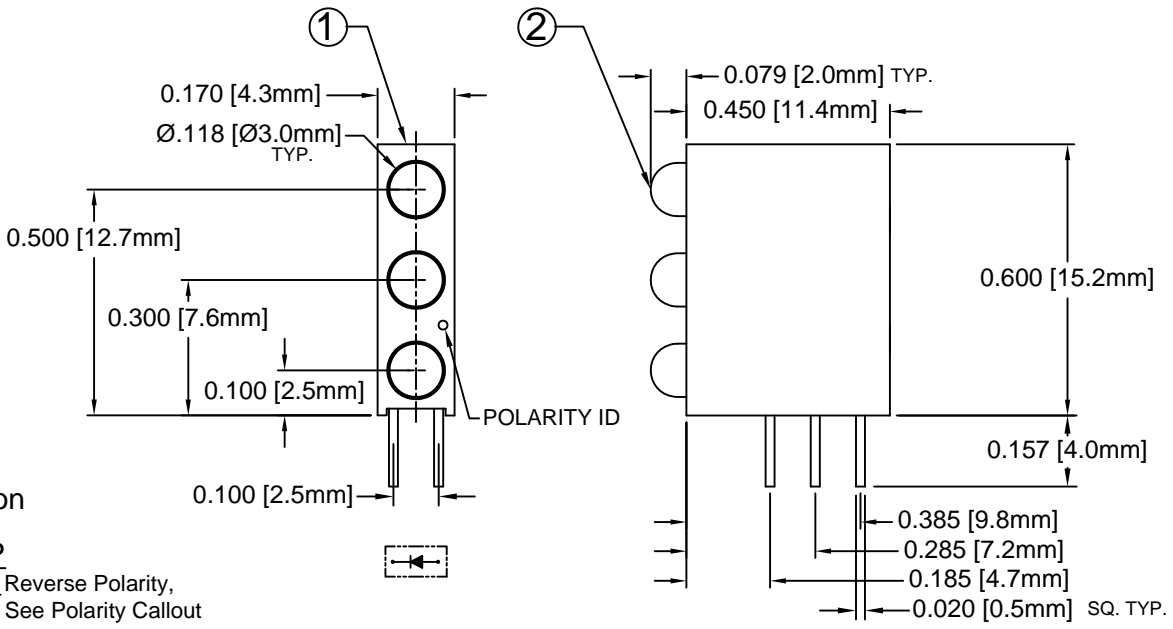
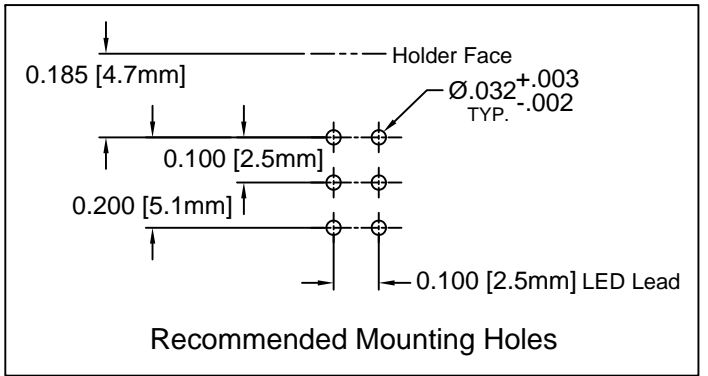
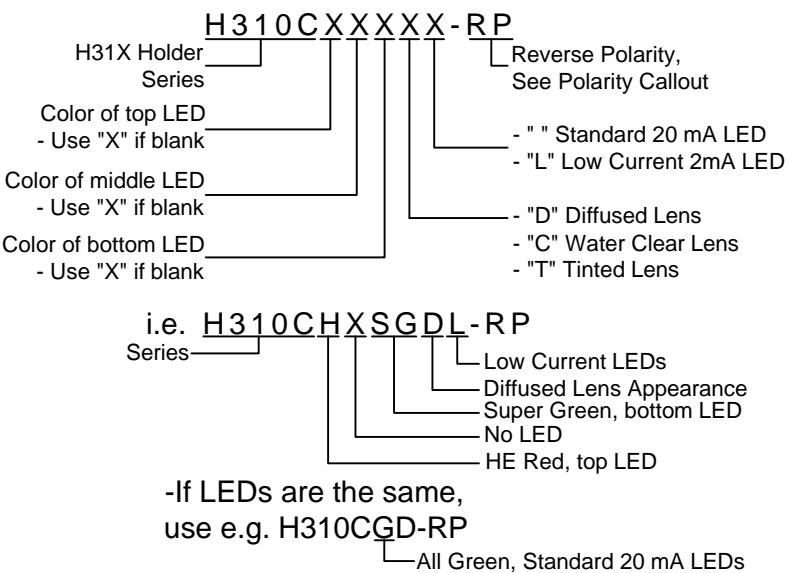


ITEM	Q'TY	PART NUMBER	PART DESCRIPTION
1	1	H-311C	T1 (3mm) Tri-Level LED Holder, 90° Mount
2	3	3XX-201-S	T1 (3mm) Extended Profile Shouldered LED, See Page 2 See P/N Configuration for LED Qty

REV.	DESCRIPTION	DATE	APPROVED
A	Engineering Release	05/12/10	T. Y.
B	Removed Part Numbers, See Page 2	03/06/15	J. C.
C	Engineering Update w/o Changes	06/24/16	J. C.



NOTE: P/N Configuration




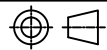
ABSOLUTE MAXIMUM RATINGS (Ta=25° C)

REVERSE VOLTAGE	5V
REVERSE CURRENT	100uA
OPERATING TEMPERATURE RANGE	-25° C - 85° C
STORAGE TEMPERATURE	-30° C - 100° C
LEAD SOLDERING TEMPERATURE(1/16" FROM BODY)	260° C FOR 5 SECONDS

STANDARD TOLERANCE (UNLESS OTHERWISE SPECIFIED)		 4 THOMAS, IRVINE, CA. 92618 TEL: (949) 951-8808 FAX: (949) 951-3974	
DECIMALS	ANGULAR		
.X ± .1	X° ± 1°		TITLE: T1 (3mm) 90° TRI-LEVEL LED ASSY, REVERSE POLARITY
.XX ± .02			
.XXX ± .010		DESIGNED: R. Paje CHECKED: T. Yin	DATE: 05/12/10 DATE: 05/12/10
		PART NO: H310CXX-RP	REVISION: C
		CAGE CODE : 32559	SHEET # 1 OF 2
CAD GENERATED DOCUMENT. DO NOT MEASURE DRAWING.			

REV.	DESCRIPTION	DATE	APPROVED
	SEE SHEET #1		

LED Assy. No.	Peak Wave Length λ_p (nm)	Emitted Color	Lens Appearance	Electro-Optical Data				Viewing Angle $2\theta_{1/2}$ (Deg)	LED P/N
				If (mA)	Vf (V)		Iv (mcd)		
				TYP	TYP	MAX	TYP		
STANDARD				Data @ 20mA					
H310CBWD-RP	430	BLUE	DIFFUSED	20	4.0	4.5	10	35	3BWD-201-S
H310CGD-RP	568	GREEN	DIFFUSED	20	2.1	2.8	25	35	3GD-201-S
H310CGC-RP	568	GREEN	WATER CLEAR	20	2.1	2.8	40	20	3GC-201-S
H310CGT-RP	568	GREEN	TINTED	20	2.1	2.8	40	20	3GT-201-S
H310CSGC-RP	568	SUPER GREEN	WATER CLEAR	20	2.1	2.8	50	20	3SGC-201-S
H310CYD-RP	590	YELLOW	DIFFUSED	20	2.0	2.8	20	35	3YD-201-S
H310CYT-RP	590	YELLOW	TINTED	20	2.0	2.8	40	20	3YT-201-S
H310CSYC-RP	590	SUPER YELLOW	WATER CLEAR	20	2.0	2.8	50	20	3SYC-201-S
H310CHD-RP	625	HE RED	DIFFUSED	20	2.0	2.8	30	35	3HD-201-S
H310CRD-RP	700	RED	DIFFUSED	20	2.1	2.8	2	35	3RD-201-S
H310CRC-RP	700	RED	WATER CLEAR	20	2.1	2.8	3	20	3RC-201-S
H310CRT-RP	700	RED	TINTED	20	2.1	2.8	3	20	3RT-201-S
H310CSR-D-RP	645	SUPER RED	DIFFUSED	20	1.7	2.4	40	35	3SRD-201-S
H310CSRC-RP	645	SUPER RED	WATER CLEAR	20	1.7	2.4	60	20	3SRC-201-S
LOW CURRENT				Data @ 2mA					
H310CADL-RP	605	AMBER	DIFFUSED	2	2.0	2.8	2	35	3ADL-201-S
H310CGDL-RP	568	GREEN	DIFFUSED	2	2.1	2.8	2	35	3GDL-201-S
H310CYDL-RP	590	YELLOW	DIFFUSED	2	2.0	2.6	2	35	3YDL-201-S
H310CHDL-RP	625	HE RED	DIFFUSED	2	2.0	2.6	3	35	3HDL-201-S
H310CRDL-RP	700	RED	DIFFUSED	2	2.1	2.8	0.2	35	3RDL-201-S

STANDARD TOLERANCE (UNLESS OTHERWISE SPECIFIED) DECIMALS ANGULAR		 BIVAR [®] 4 THOMAS, IRVINE, CA. 92618 TEL: (949) 951-8808 FAX: (949) 951-3974	
			
DESIGNED: R. Paje	DATE: 05/12/10	PART NO: H310CXX-RP	REVISION: C
CHECKED: T. Yin	DATE: 05/12/10	CAGE CODE : 32559	SHEET # 2 OF 2
CAD GENERATED DOCUMENT. DO NOT MEASURE DRAWING.			