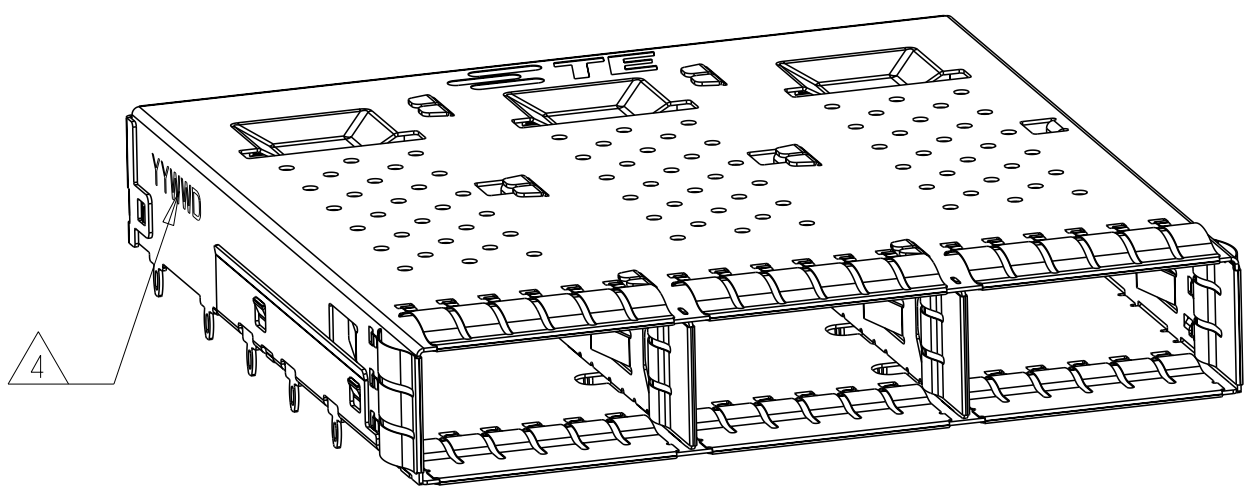
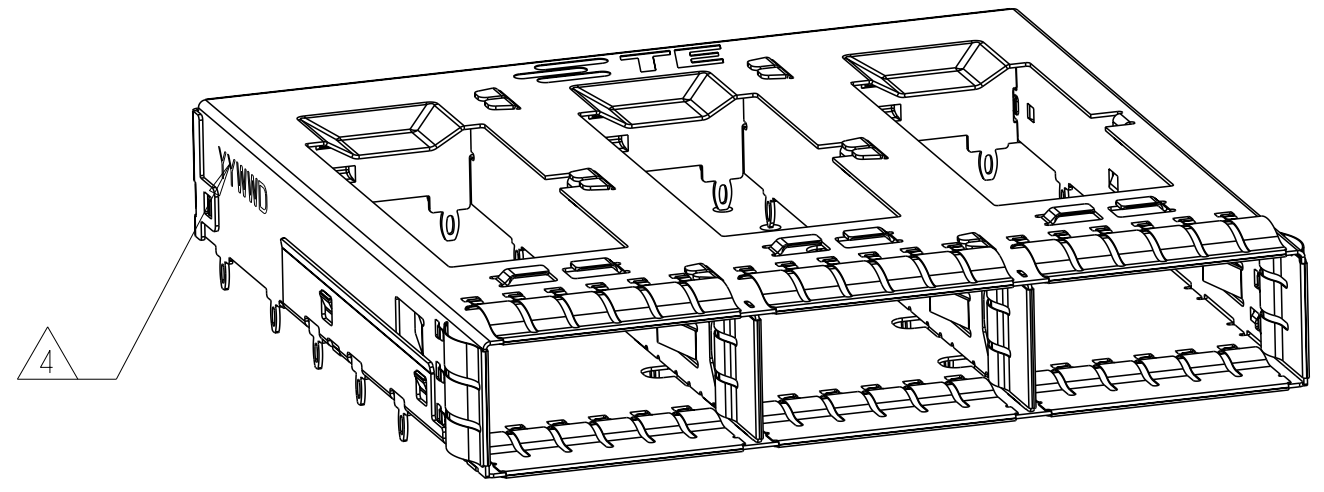


THIS DRAWING IS UNPUBLISHED. RELEASED FOR PUBLICATION 20
 © COPYRIGHT 20 BY - ALL RIGHTS RESERVED.

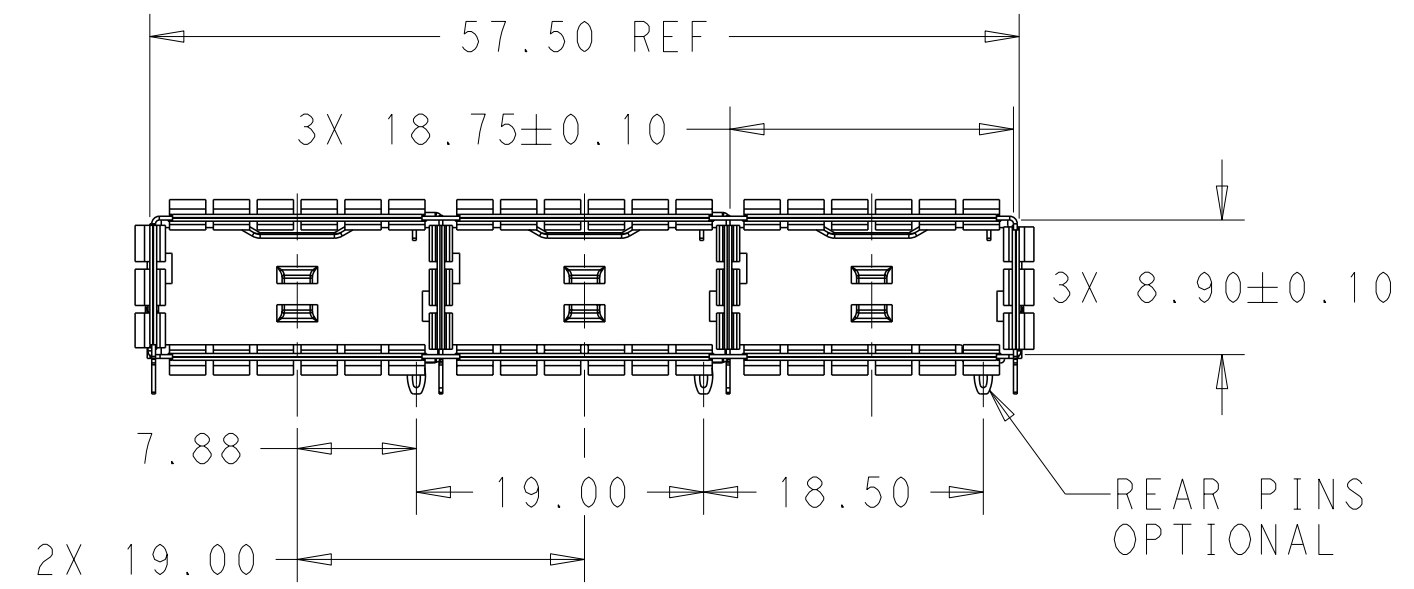
REVISIONS				
P	LTR	DESCRIPTION	DATE	APVD
A		INITIAL RELEASE	11MAR2016	JY SH



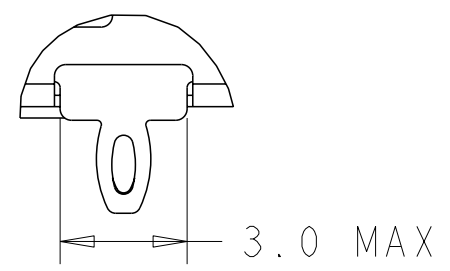
2170737-1, -4 AS SHOWN
SCALE 2:1



2170737-2, -5 AS SHOWN
SCALE 2:1

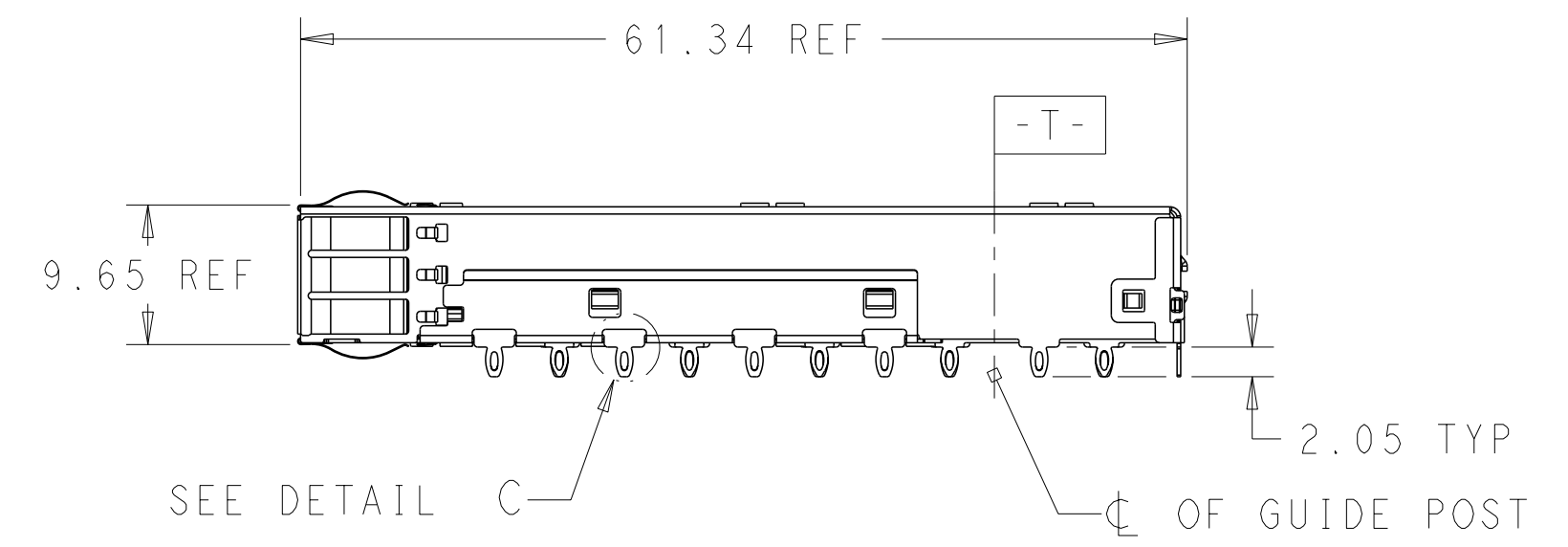


SCALE 2:1



DETAIL C
SCALE 6:1

1. COMPONENTS
 CAGE ASSEMBLY: NICKEL-SILVER ALLOY
 EMI SPRING: COPPER ALLOY/NICKEL PLATE
2. REFERENCE APPLICATION SPECIFICATION 114-32023 FOR RECOMMENDED DRILL HOLE DIAMETER AND PLATING THICKNESS
3. DATUM AND BASIC DIMENSION ESTABLISHED BY CUSTOMER
4. DATE CODE (YYWWD) MARKED APPROXIMATELY AS SHOWN.
5. MATES WITH QSFP28 MSA COMPATIBLE TRANSCEIVER.
6. MINIMUM PC BOARD THICKNESS: SINGLE SIDED: 1.57 MIN
 DOUBLE SIDED: 2.20 MIN
7. DATUM -A- IS TOP SURFACE OF THE HOST BOARD.
8. THESE HOLES ARE OPTIONAL WHEN THE REAR PINS ARE REMOVED.

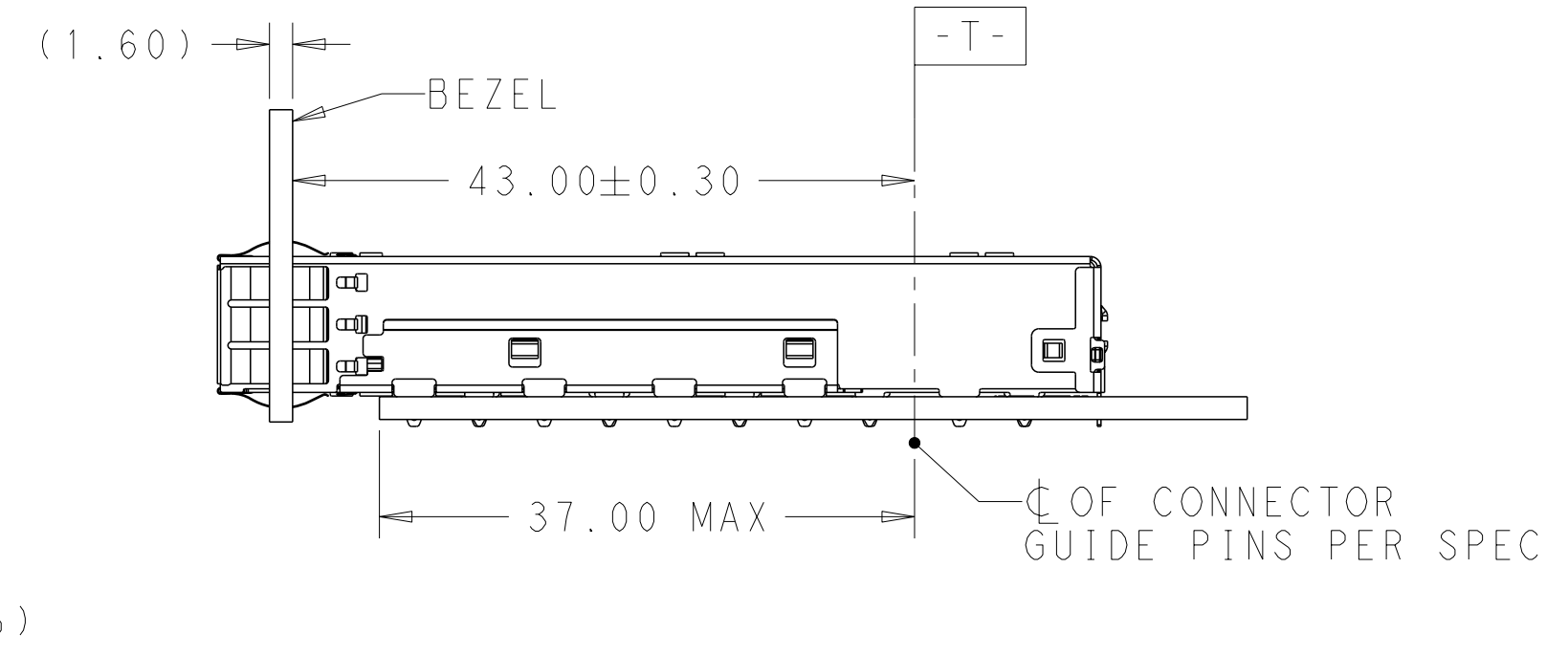
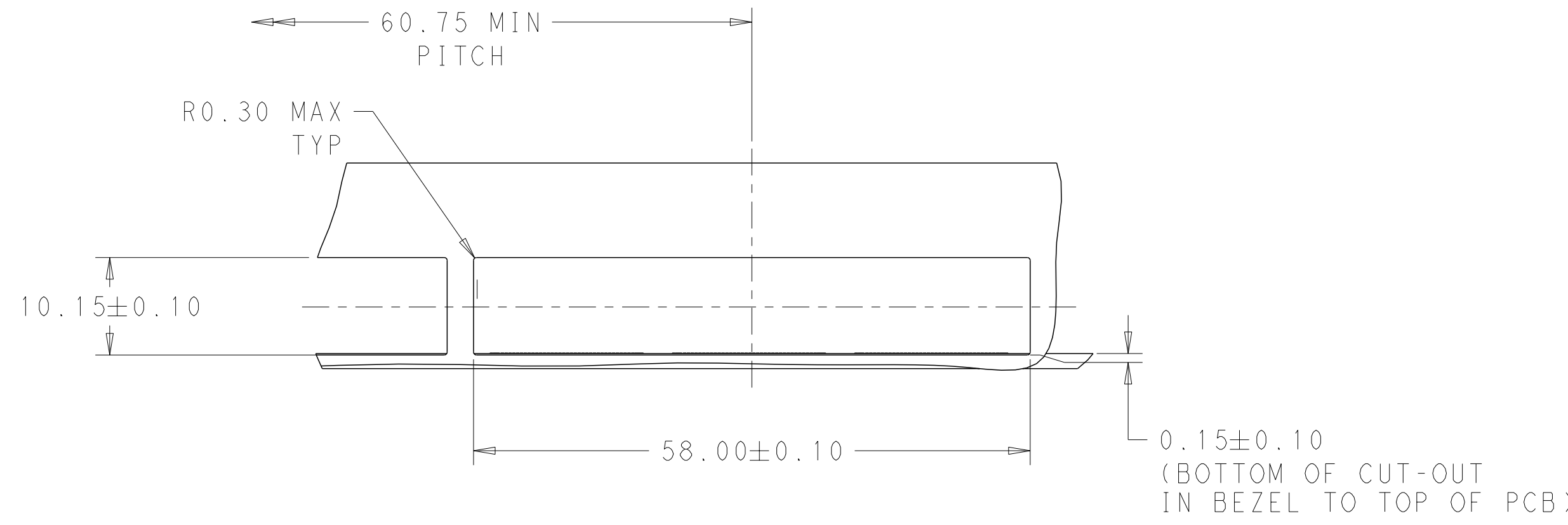


WITHOUT	WITH	2170737-5
WITHOUT	WITHOUT	2170737-4
WITH	WITH	2170737-2
WITH	WITHOUT	2170737-1
REAR PIN OPTIONAL	HEAT SINK OPEN OPTIONAL	PART NUMBER

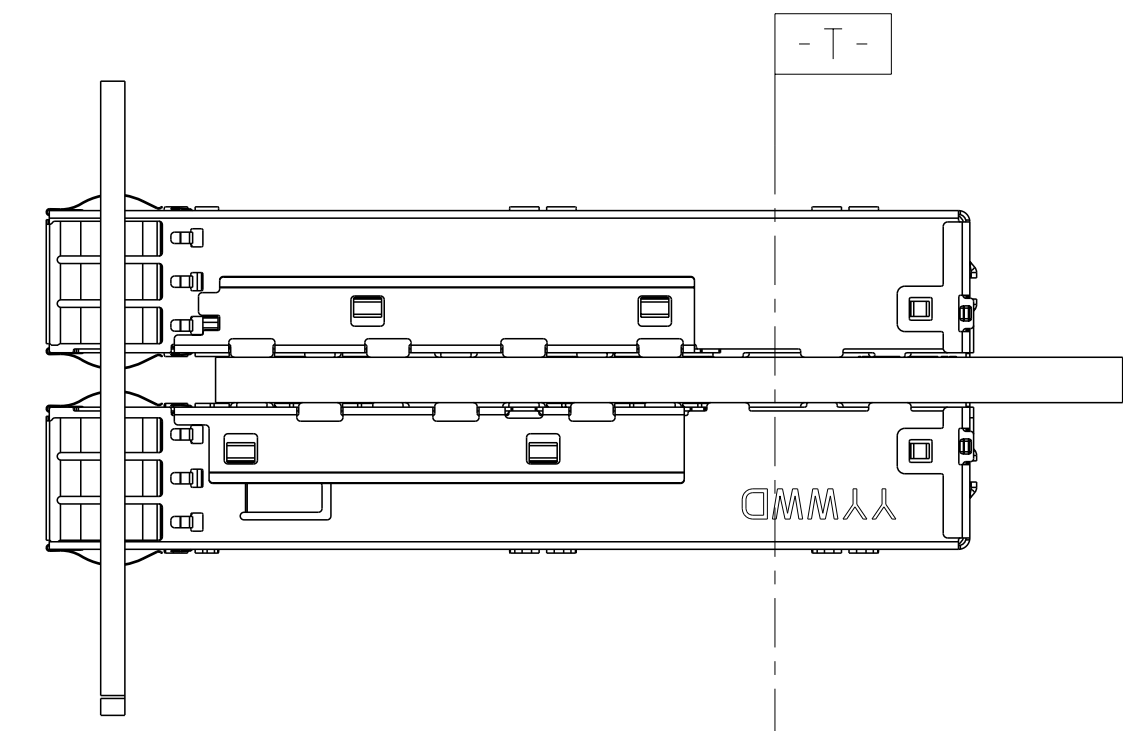
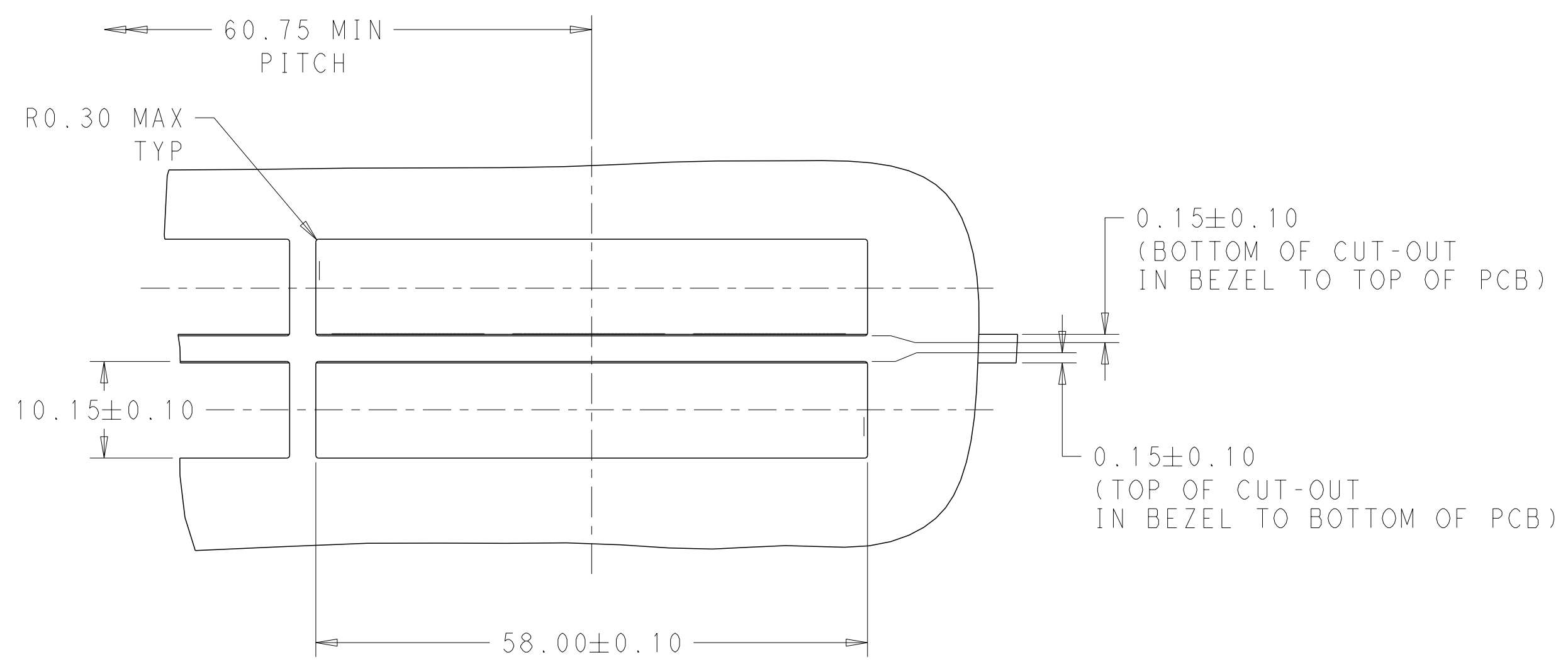
THIS DRAWING IS A CONTROLLED DOCUMENT.		DWN BING LIU 11APR2014	TE Connectivity	
DIMENSIONS: mm		CHK JASON YANG 11APR2014		
TOLERANCES UNLESS OTHERWISE SPECIFIED:		APVD SEAN HAN 11MAR2016	NAME RECEPTACLE CAGE ASSEMBLY THRU BEZEL, 1X3, QSFP28	
0 PLC ±	1 PLC ±0.25	PRODUCT SPEC 108-19428	SIZE A200779	DRAWING NO C-2170737
2 PLC ±0.2	3 PLC ±	APPLICATION SPEC 114-32023	RESTRICTED TO	
4 PLC ±	ANGLES ±	WEIGHT	SCALE 1:1	SHEET 1 OF 5
MATERIAL SEE NOTES	FINISH SEE NOTES	CUSTOMER DRAWING	REV A	

THIS DRAWING IS UNPUBLISHED. RELEASED FOR PUBLICATION 20
 © COPYRIGHT 20 BY - ALL RIGHTS RESERVED.

REVISIONS				
P	LTR	DESCRIPTION	DATE	APVD
-		SEE SHEET 1	-	-



SINGLE SIDE MOUNTING
SCALE 2:1

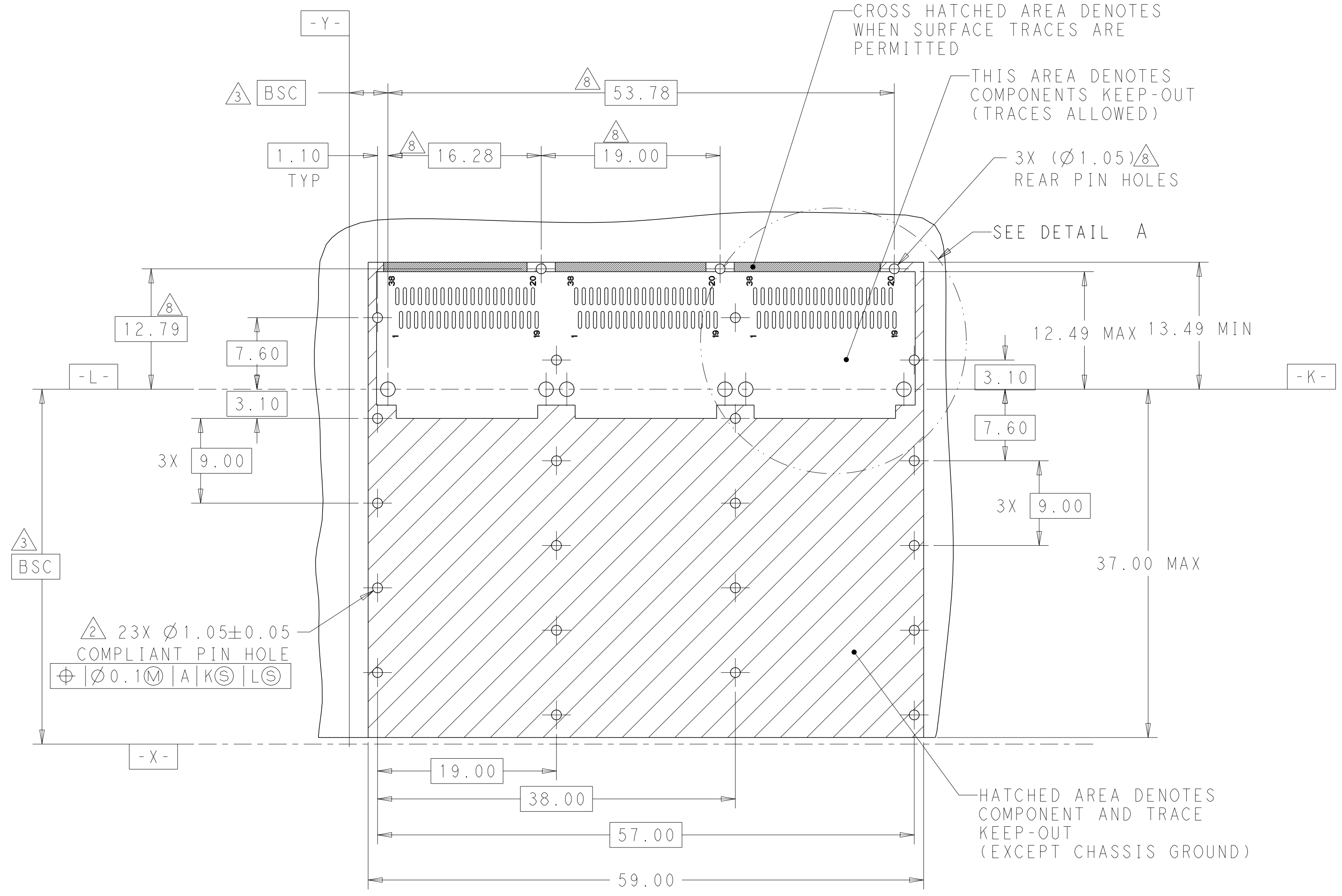


BELLY TO BELLY MOUNTING
SCALE 2:1

THIS DRAWING IS A CONTROLLED DOCUMENT.		DWN BING LIU 11APR2014	STE TE Connectivity	
		CHK JASON YANG 11APR2014		
DIMENSIONS: mm		APVD SEAN HAN 11MAR2016	NAME RECEPTACLE CAGE ASSEMBLY THRU BEZEL, 1X3, QSFP28	
TOLERANCES UNLESS OTHERWISE SPECIFIED:		PRODUCT SPEC 108-19428	RESTRICTED TO	
0 PLC ±		APPLICATION SPEC 114-32023	SIZE A200779	DRAWING NO C-2170737
1 PLC ±0.25		WEIGHT -	SCALE 1:1	SHEET 2 OF 5
2 PLC ±0.2		CUSTOMER DRAWING	REV A	
3 PLC ±				
4 PLC ±				
ANGLES ±				
FINISH				
MATERIAL SEE NOTES				
FINISH SEE NOTES				

THIS DRAWING IS UNPUBLISHED. RELEASED FOR PUBLICATION 20
 © COPYRIGHT 20 BY - ALL RIGHTS RESERVED.

REVISIONS				
P	LTR	DESCRIPTION	DATE	APVD
-	-	SEE SHEET 1	-	-

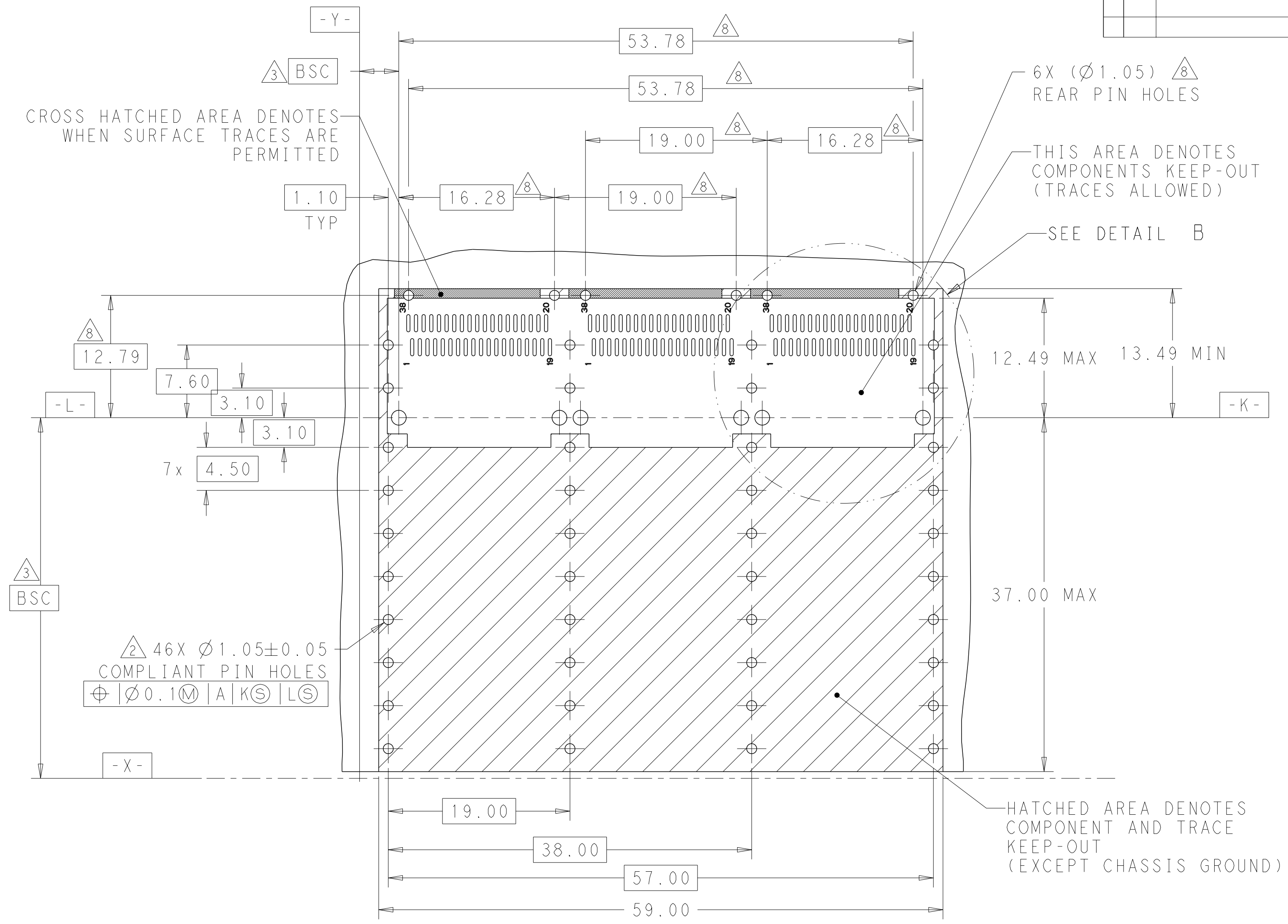


RECOMMENDED PCB LAYOUT
 SINGLE TYPE
 PCB TOLERANCE: ±0.05
 SCALE 3:1

THIS DRAWING IS A CONTROLLED DOCUMENT.		DWN BING LIU 11APR2014	TE Connectivity	
DIMENSIONS: mm		CHK JASON YANG 11APR2014		
TOLERANCES UNLESS OTHERWISE SPECIFIED:		APVD SEAN HAN 11MAR2016	NAME RECEPTACLE CAGE ASSEMBLY THRU BEZEL, 1X3, QSFP28	
0 PLC ±-		PRODUCT SPEC 108-19428	SIZE CAGE CODE DRAWING NO RESTRICTED TO	
1 PLC ±0.25		APPLICATION SPEC 114-32023	A200779 C-2170737	
2 PLC ±0.2		WEIGHT -	SCALE 1:1 SHEET 3 OF 5 REV A	
3 PLC ±-		CUSTOMER DRAWING		
4 PLC ±-				
ANGLES ±-				
FINISH SEE NOTES				

THIS DRAWING IS UNPUBLISHED. RELEASED FOR PUBLICATION 20
 © COPYRIGHT 20 BY - ALL RIGHTS RESERVED.

REVISIONS				
P	LTR	DESCRIPTION	DATE	APVD
-	-	SEE SHEET 1	-	-

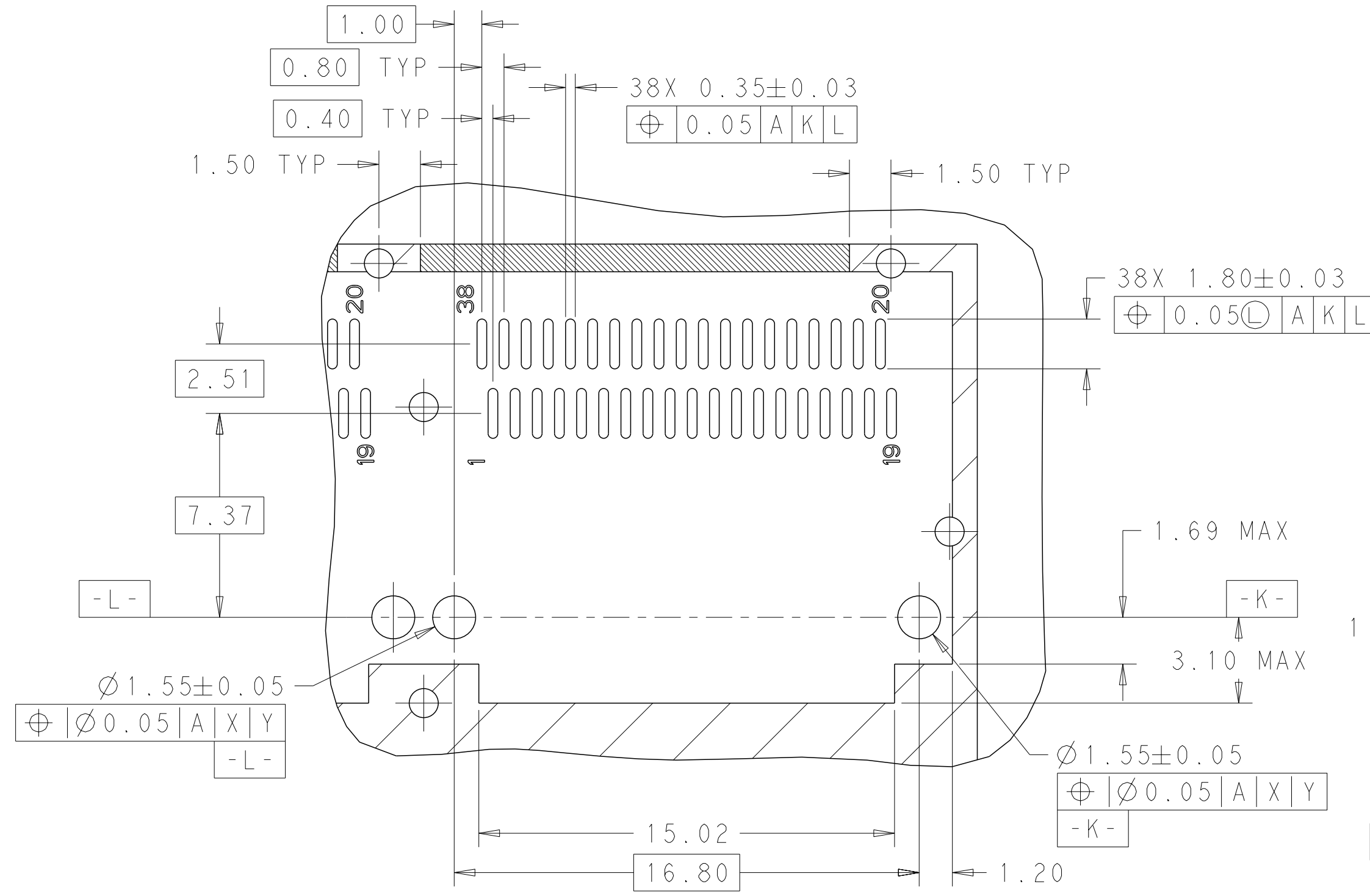


RECOMMENDED PCB LAYOUT
 BELLY TO BELLY TYPE
 PCB TOLERANCE: ±0.05
 SCALE 3:1

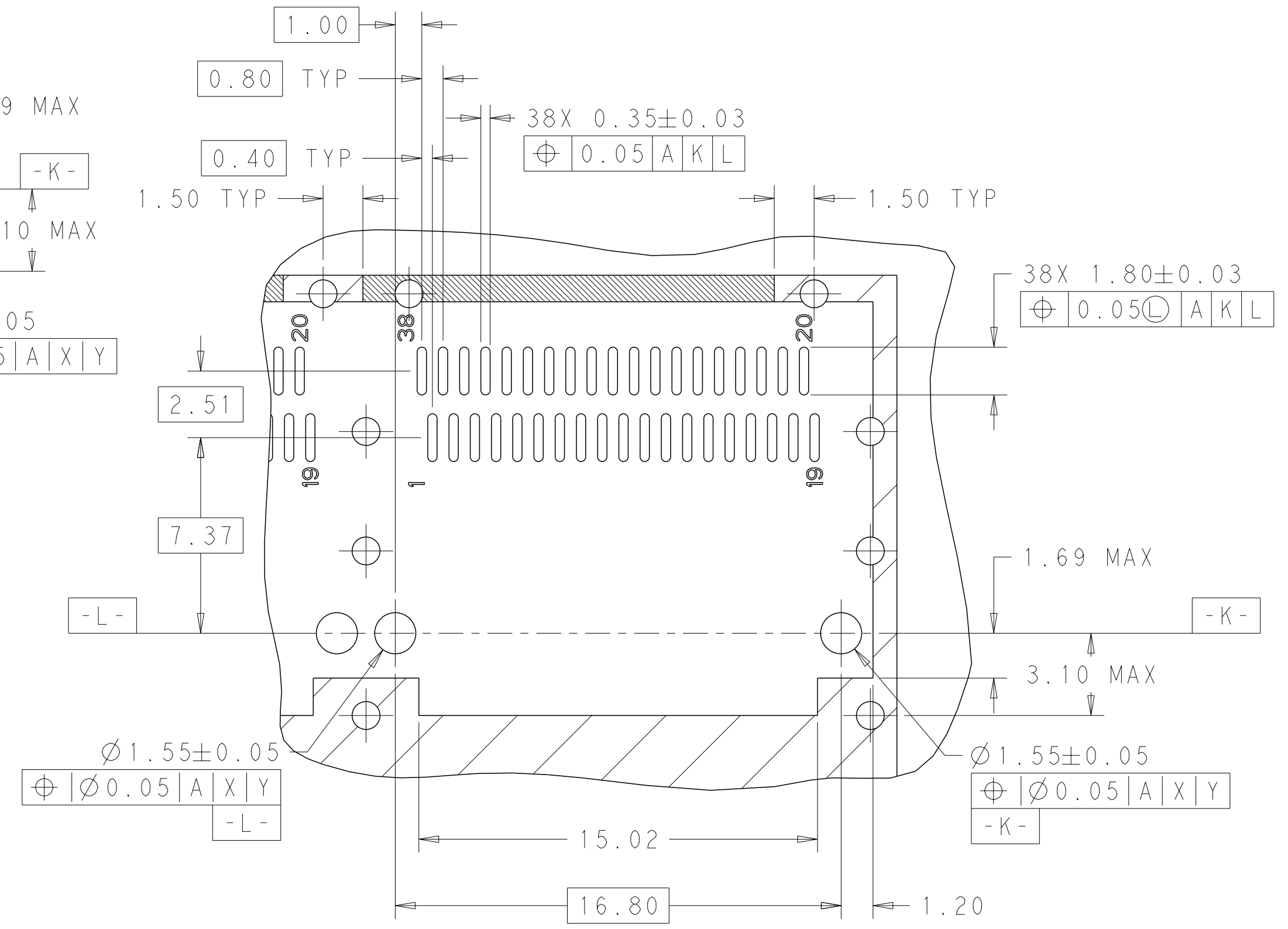
THIS DRAWING IS A CONTROLLED DOCUMENT.		DWN BING LIU 11APR2014	TE Connectivity	
DIMENSIONS: mm		CHK JASON YANG 11APR2014		
TOLERANCES UNLESS OTHERWISE SPECIFIED:		APVD SEAN HAN 11MAR2016	NAME RECEPTACLE CAGE ASSEMBLY THRU BEZEL, 1X3, QSFP28	
0 PLC ±- 1 PLC ±0.25 2 PLC ±0.2 3 PLC ±- 4 PLC ±- ANGLES ±- FINISH ±-		PRODUCT SPEC 108-19428	SIZE A200779	CAGE CODE C-2170737
MATERIAL SEE NOTES		APPLICATION SPEC 114-32023	DRAWING NO 114-32023	RESTRICTED TO -
SEE NOTES		WEIGHT -	SCALE 1:1 SHEET 4 OF 5 REV A	
-		CUSTOMER DRAWING		

THIS DRAWING IS UNPUBLISHED. RELEASED FOR PUBLICATION 20
 © COPYRIGHT 20 BY - ALL RIGHTS RESERVED.


REVISIONS				
P	LTR	DESCRIPTION	DATE	APVD
-	-	SEE SHEET 1	-	-



DETAIL A
SCALE 6:1



DETAIL B
SCALE 6:1

THIS DRAWING IS A CONTROLLED DOCUMENT.		DWN BING LIU 11APR2014	 TE Connectivity	
DIMENSIONS: mm		CHK JASON YANG 11APR2014		
TOLERANCES UNLESS OTHERWISE SPECIFIED:		APVD SEAN HAN 11MAR2016	NAME RECEPTACLE CAGE ASSEMBLY THRU BEZEL, 1X3, QSFP28	
0 PLC ± 1 PLC ±0.25 2 PLC ±0.2 3 PLC ± 4 PLC ± ANGLES ± FINISH ±		PRODUCT SPEC 108-19428	SIZE A200779	
MATERIAL SEE NOTES		APPLICATION SPEC 114-32023	DRAWING NO C-2170737	
FINISH SEE NOTES		WEIGHT -	RESTRICTED TO -	
		CUSTOMER DRAWING	SCALE 1:1	SHEET 5 OF 5
				REV A