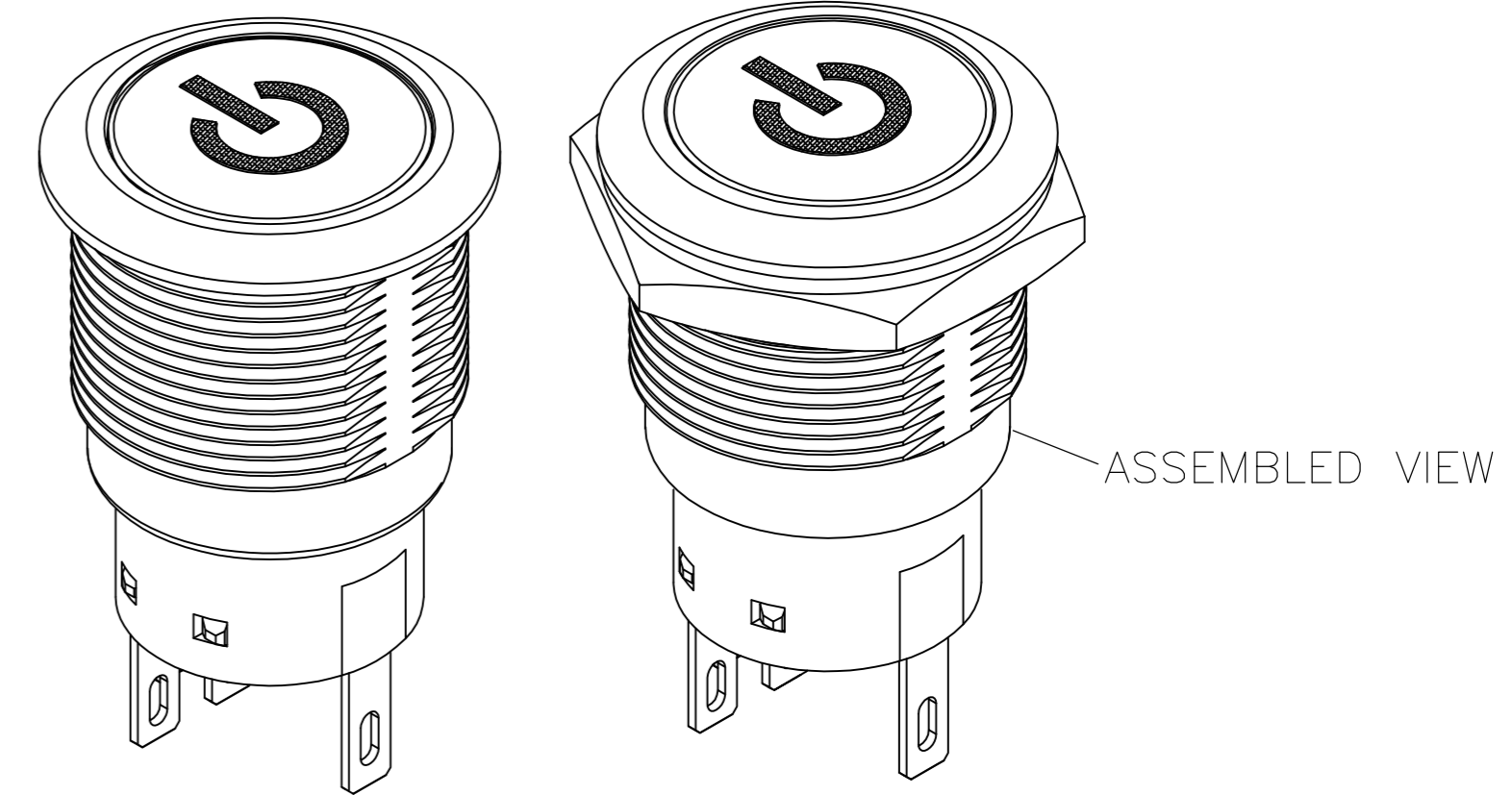
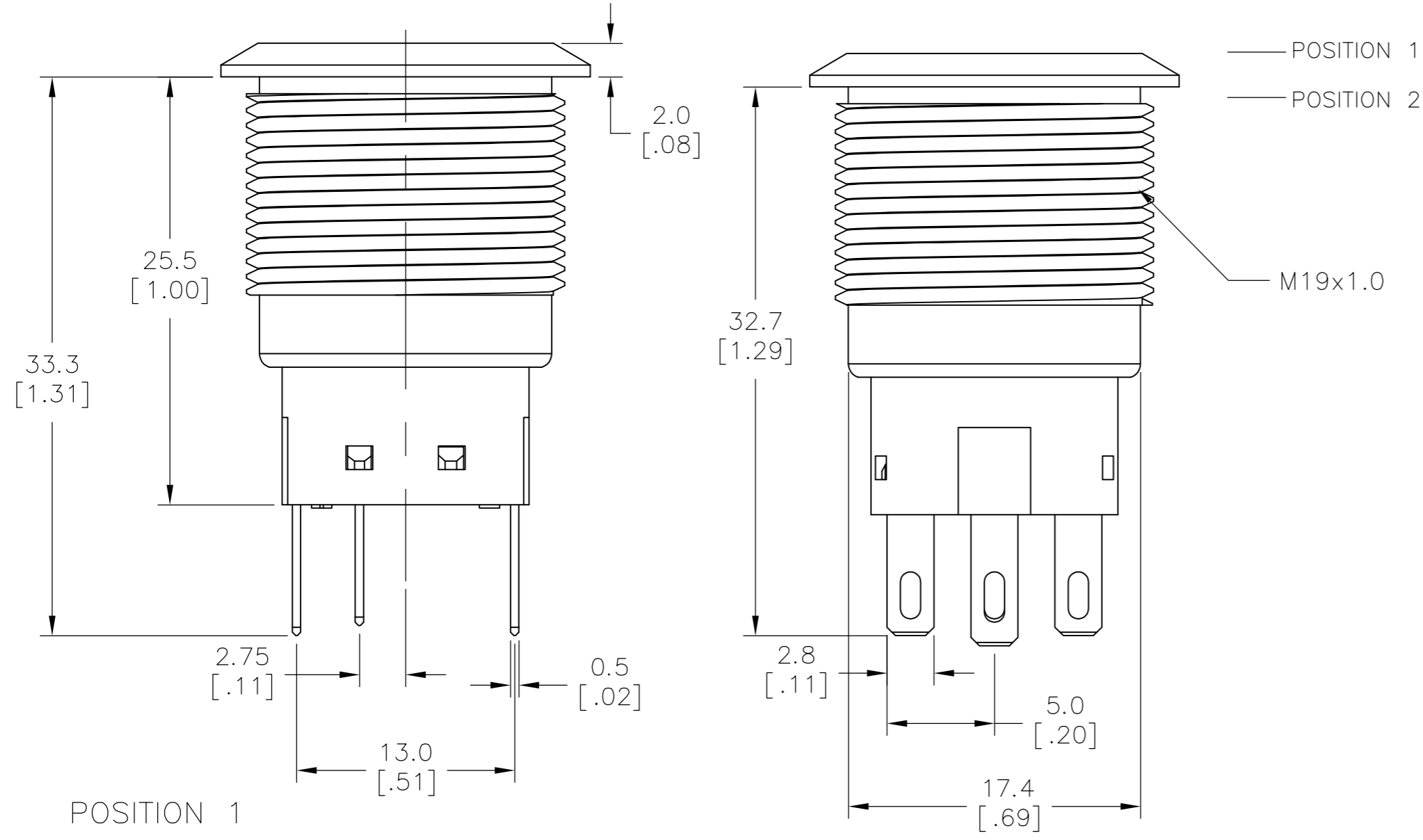


THIS DRAWING IS UNPUBLISHED. RELEASED FOR PUBLICATION
 © COPYRIGHT - By - ALL RIGHTS RESERVED.

REVISIONS				
P	LTR	DESCRIPTION	DATE	APVD
B		REVISED PER ECR-16-007955	08JUN2016	RS PO



SPECIFICATIONS

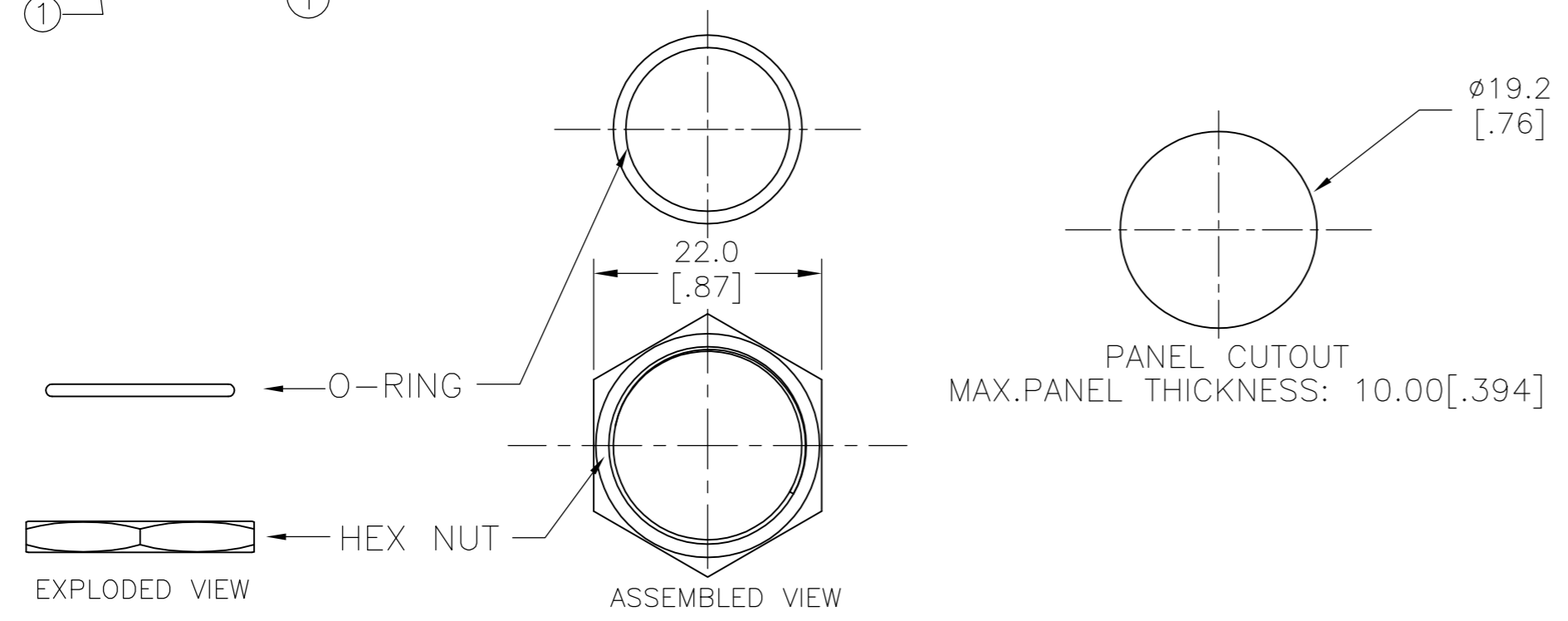
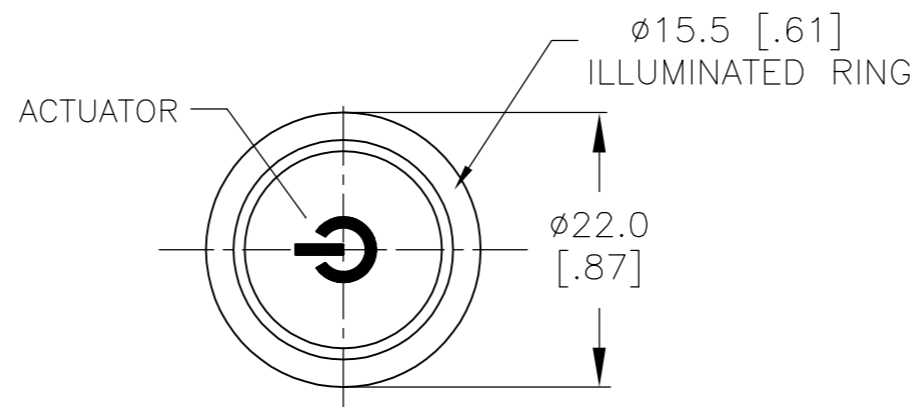
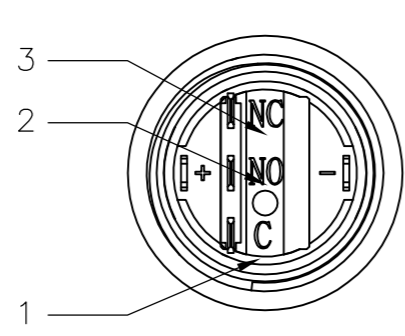
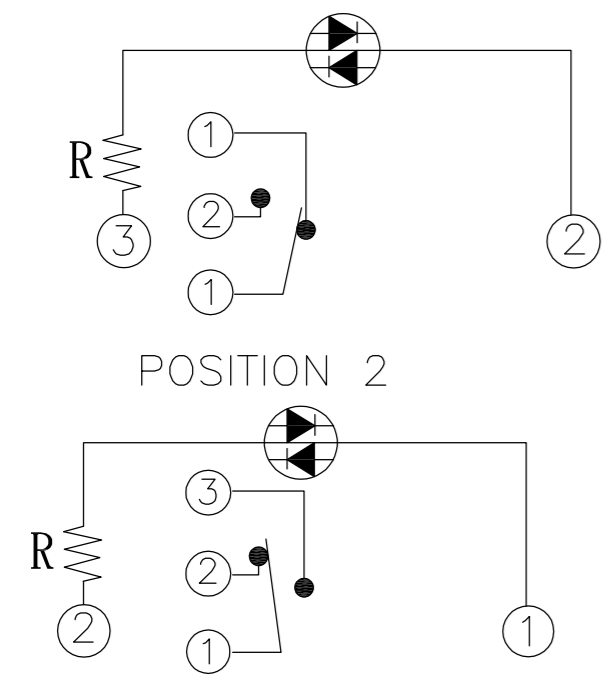
CONTACT RATING: SILVER: 3A @ 250 VAC RESISTIVE
 GOLD: 0.4VA @ 20VDC OR PEAK AC
 INSULATION RESISTANCE: 1,000MΩ MIN AT 500VDC
 DIELECTRIC STRENGTH: 2,000V RMS @ SEA LEVEL
 CONTACT RESISTANCE: 50 mΩ MAX @ 1A 12VDC (INITIAL VALUE)
 ELECTRICAL LIFECYCLES: 50,000 MAKE AND BREAK CYCLES AT FULL LOAD

ACTUATION FORCE: SP: 2.5±1 NEWTON, DP: 3.5±1 NEWTON
 ACTUATION TRAVEL: 3.2mm
 SEALED PER IP67, IK10 (STAINLESS)
 OPERATING TEMPERATURE: -20°C TO +55°C
 MECHANICAL LIFECYCLES: MOMENTARY: 1,000,000 CYCLES
 LOCKING: 500,000 CYCLES
 HARDWARE TORQUE: 5-14 N-m

MATERIALS

BUSHING: STAINLESS STEEL
 BASE: PBT (UL 94-V0), PC (UL 94-V2)
 ACTUATOR: STAINLESS STEEL, PC
 SEALING: O-RING (SILICONE)
 TERMINAL/CONTACT: COPPER BASE, SILVER/GOLD PLATED
 HEX NUT: BRASS BASE, NICKEL PLATED

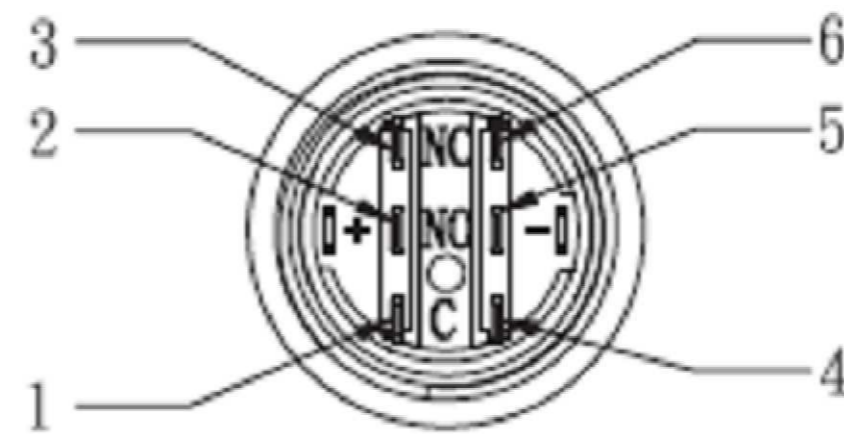
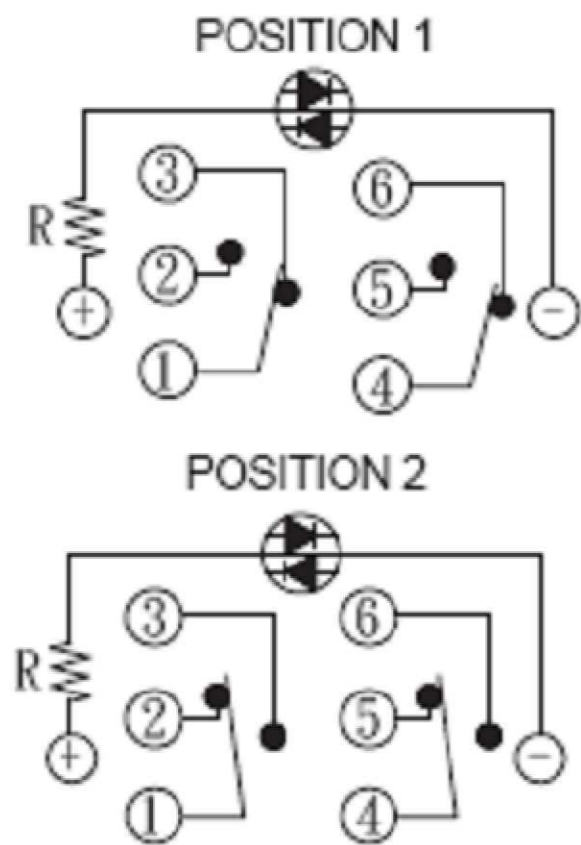
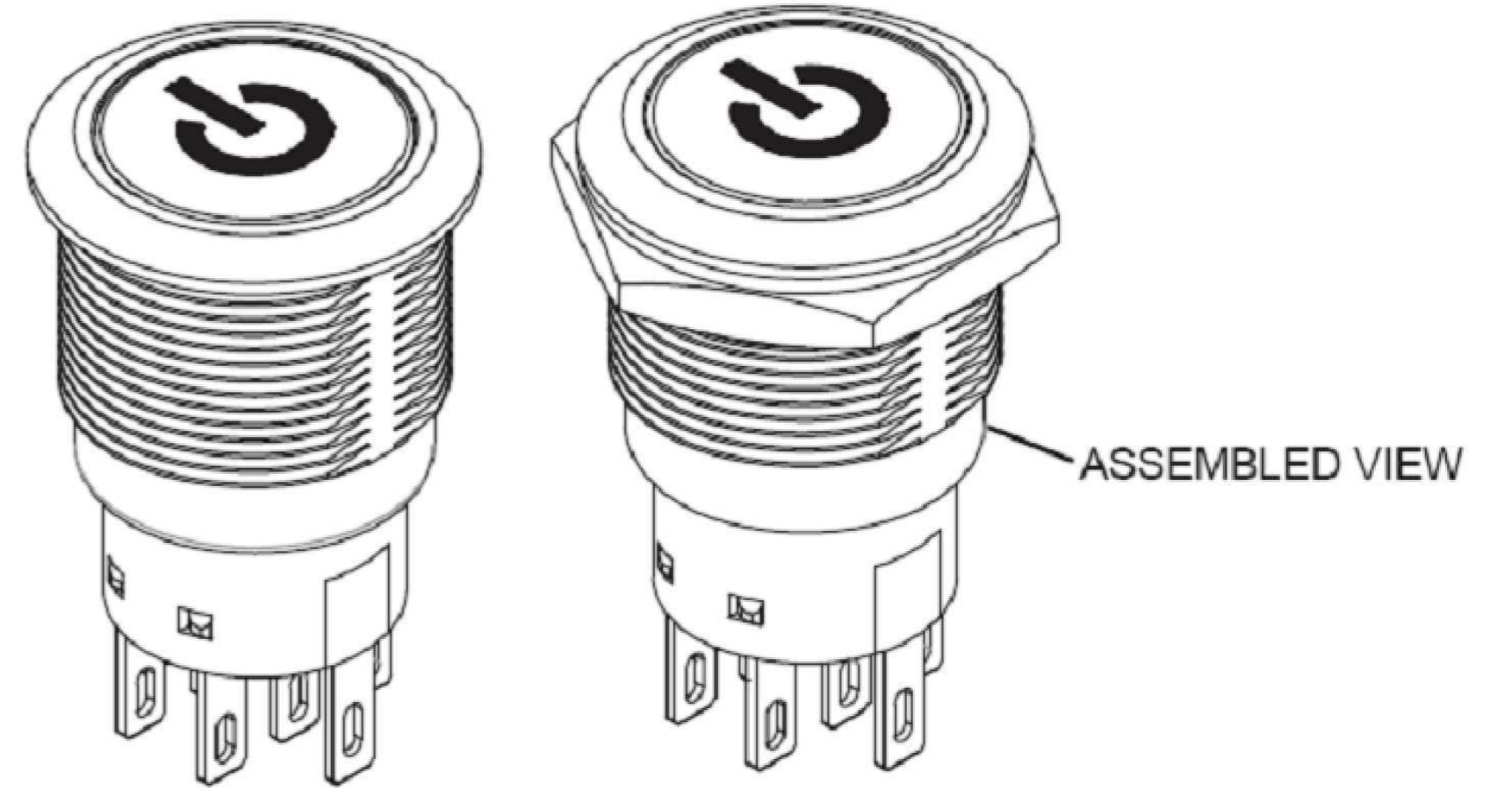
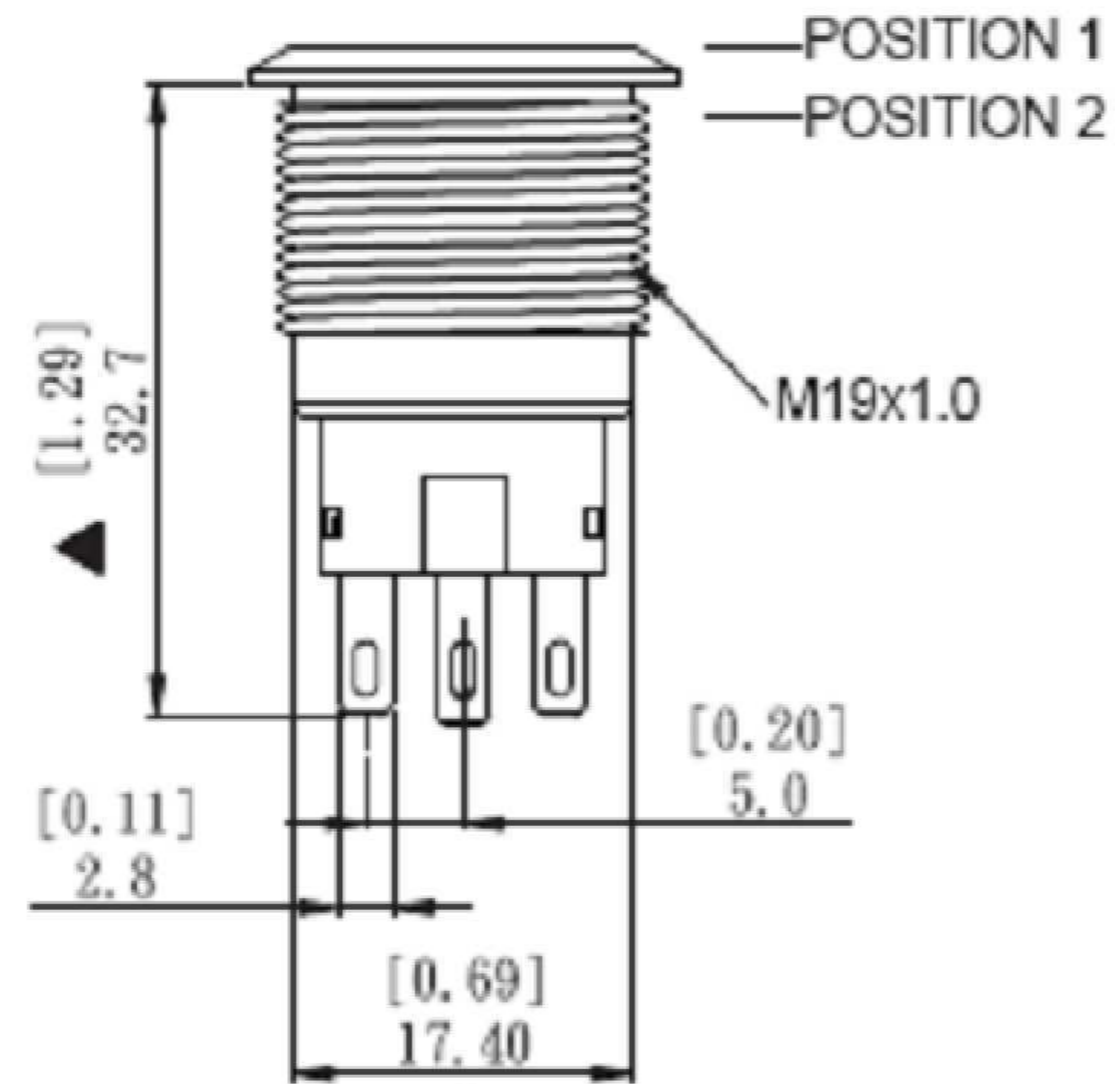
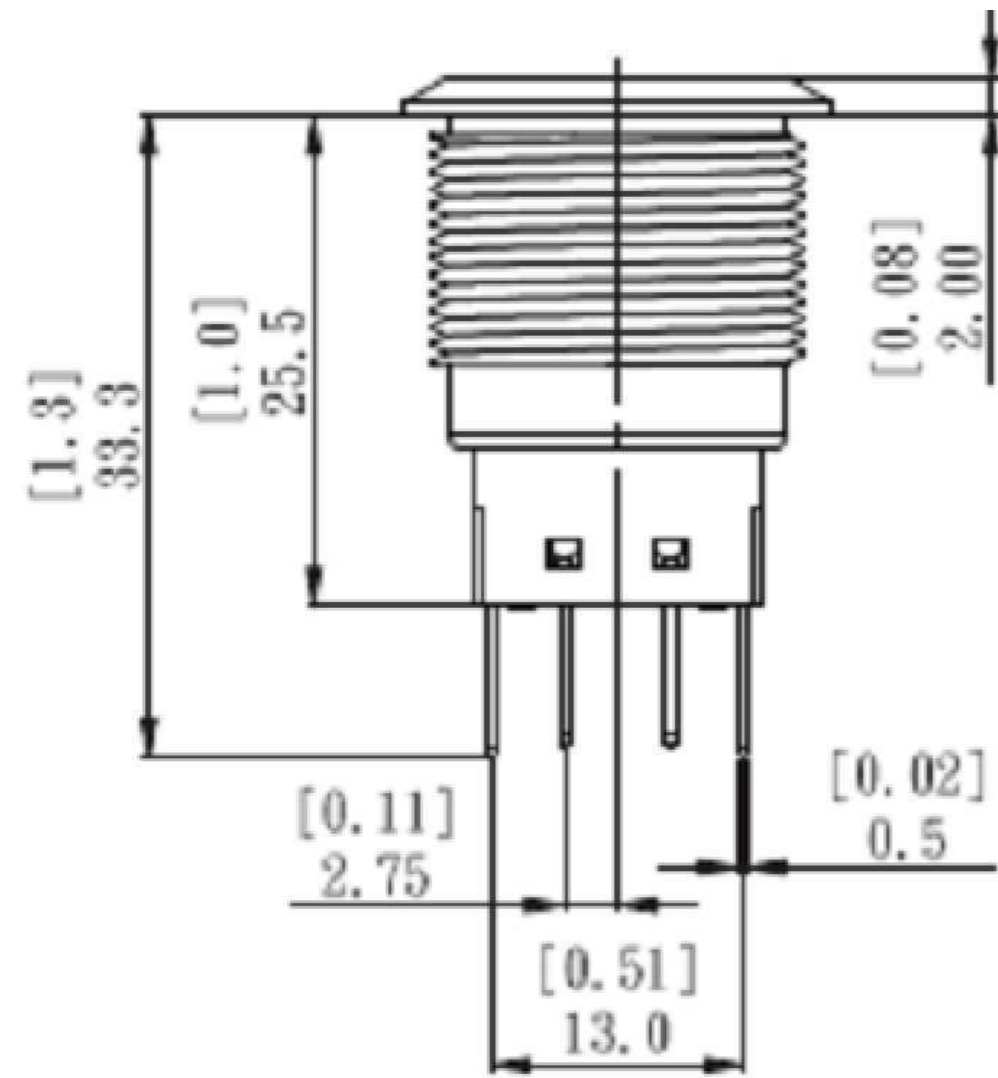
1 ALL MATERIAL AND FINISHES SHALL COMPLY WITH EU DIRECTIVE 2002/95/EC OF 27JAN2003 (ROHS)



THIS DRAWING IS A CONTROLLED DOCUMENT.		DWN NAGALAKSHMI K 08FEB2016	TE Connectivity	
DIMENSIONS: mm [INCHES]		CHK HILL RYAN 08FEB2016	NAME	
TOLERANCES UNLESS OTHERWISE SPECIFIED:		APVD HILL RYAN 08FEB2016	ANTI-VANDAL SWITCH 19mm POWER LOGO LED	
0 PLC ± -	1 PLC ± -	PRODUCT SPEC	SIZE	CAGE CODE
2 PLC ± -	3 PLC ± -	APPLICATION SPEC	A2	00779
4 PLC ± -	ANGLES ± -	WEIGHT	C=2213766	
MATERIAL	FINISH	0	SCALE	SHEET
-	-	CUSTOMER DRAWING	6:1	1 of 3
			REV	B

THIS DRAWING IS UNPUBLISHED. RELEASED FOR PUBLICATION
 © COPYRIGHT - By - ALL RIGHTS RESERVED.

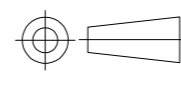
REVISIONS				
P	LTR	DESCRIPTION	DATE	APVD
-	-	SEE SHEET 1	-	-



THIS DRAWING IS A CONTROLLED DOCUMENT.		DWN 08FEB2016 NAGALAKSHMI K																							
DIMENSIONS: mm [INCHES]		CHK 08FEB2016 HILL RYAN																							
TOLERANCES UNLESS OTHERWISE SPECIFIED:		APVD 08FEB2016 HILL RYAN	NAME																						
<table border="1"> <tr><td>0 PLC</td><td>±</td><td>-</td></tr> <tr><td>1 PLC</td><td>±</td><td>-</td></tr> <tr><td>2 PLC</td><td>±</td><td>-</td></tr> <tr><td>3 PLC</td><td>±</td><td>-</td></tr> <tr><td>4 PLC</td><td>±</td><td>-</td></tr> <tr><td>ANGLES</td><td>±</td><td>-</td></tr> <tr><td>FINISH</td><td>-</td><td>-</td></tr> </table>		0 PLC	±	-	1 PLC	±	-	2 PLC	±	-	3 PLC	±	-	4 PLC	±	-	ANGLES	±	-	FINISH	-	-	PRODUCT SPEC	ANTI-VANDAL SWITCH 19mm POWER LOGO LED	
0 PLC	±	-																							
1 PLC	±	-																							
2 PLC	±	-																							
3 PLC	±	-																							
4 PLC	±	-																							
ANGLES	±	-																							
FINISH	-	-																							
MATERIAL		APPLICATION SPEC	SIZE A2	CAGE CODE 00779	DRAWING NO. C-2213766																				
		WEIGHT -	RESTRICTED TO																						
		CUSTOMER DRAWING	SCALE NTS	SHEET 2 of 3	REV B																				

THIS DRAWING IS UNPUBLISHED.		RELEASED FOR PUBLICATION				REVISIONS							
© COPYRIGHT - By -		ALL RIGHTS RESERVED.				P	LTR	DESCRIPTION			DATE	DWN	APVD
DOUBLE POLE-- MOMENTARY	SILVER	WHITE	24V	AV1920P124Q04	4-2213766-3			SEE SHEET 1			-	-	-
	GOLD	WHITE	12V	AV1920P112R04	4-2213766-2								
	SILVER	WHITE	12V	AV1920P112Q04	4-2213766-1								
SINGLE POLE-- LOCKING	GOLD	BLUE	24V	AV1911P724R04	4-2213766-0								
	SILVER	BLUE	24V	AV1911P724Q04	3-2213766-9								
	GOLD	BLUE	12V	AV1911P712R04	3-2213766-8								
	SILVER	BLUE	12V	AV1911P712Q04	3-2213766-7								
	GOLD	GREEN	24V	AV1911P624R04	3-2213766-6								
	SILVER	GREEN	24V	AV1911P624Q04	3-2213766-5								
	GOLD	GREEN	12V	AV1911P612R04	3-2213766-4								
	SILVER	GREEN	12V	AV1911P612Q04	3-2213766-3								
	GOLD	YELLOW	24V	AV1911P524R04	3-2213766-2								
	SILVER	YELLOW	24V	AV1911P524Q04	3-2213766-1								
	GOLD	YELLOW	12V	AV1911P512R04	3-2213766-0								
	SILVER	YELLOW	12V	AV1911P512Q04	2-2213766-9								
	GOLD	RED	24V	AV1911P324R04	2-2213766-8								
	SILVER	RED	24V	AV1911P324Q04	2-2213766-7								
	GOLD	RED	12V	AV1911P312R04	2-2213766-6								
	SILVER	RED	12V	AV1911P312Q04	2-2213766-5								
	GOLD	WHITE	24V	AV1911P124R04	2-2213766-4								
	SILVER	WHITE	24V	AV1911P124Q04	2-2213766-3								
	GOLD	WHITE	12V	AV1911P112R04	2-2213766-2								
	SILVER	WHITE	12V	AV1911P112Q04	2-2213766-1								
SINGLE POLE-- MOMENTARY	GOLD	BLUE	24V	AV1910P724R04	2-2213766-0								
	SILVER	BLUE	24V	AV1910P724Q04	1-2213766-9								
	GOLD	BLUE	12V	AV1910P712R04	1-2213766-8								
	SILVER	BLUE	12V	AV1910P712Q04	1-2213766-7								
	GOLD	GREEN	24V	AV1910P624R04	1-2213766-6								
	SILVER	GREEN	24V	AV1910P624Q04	1-2213766-5								
	GOLD	GREEN	12V	AV1910P612R04	1-2213766-4								
	SILVER	GREEN	12V	AV1910P612Q04	1-2213766-3								
	GOLD	YELLOW	24V	AV1910P524R04	1-2213766-2								
	SILVER	YELLOW	24V	AV1910P524Q04	1-2213766-1								
	GOLD	YELLOW	12V	AV1910P512R04	1-2213766-0								
	SILVER	YELLOW	12V	AV1910P512Q04	2213766-9								
	GOLD	RED	24V	AV1910P324R04	2213766-8								
	SILVER	RED	24V	AV1910P324Q04	2213766-7								
	GOLD	RED	12V	AV1910P312R04	2213766-6								
	SILVER	RED	12V	AV1910P312Q04	2213766-5								
	GOLD	WHITE	24V	AV1910P124R04	2213766-4								
	SILVER	WHITE	24V	AV1910P124Q04	2213766-3								
	GOLD	WHITE	12V	AV1910P112R04	2213766-2								
	SILVER	WHITE	12V	AV1910P112Q04	2213766-1								
POLE/THROW	CONTACT	LED COLOUR	LED VOLTAGE	TE DESCRIPTIVE PN	TE PART NUMBER								

DOUBLE POLE --LOCKING	GOLD	BLUE	24V	AV1921P724R04	8-2213766-0								
	SILVER	BLUE	24V	AV1921P724Q04	7-2213766-9								
	GOLD	BLUE	12V	AV1921P712R04	7-2213766-8								
	SILVER	BLUE	12V	AV1921P712Q04	7-2213766-7								
	GOLD	GREEN	24V	AV1921P624R04	7-2213766-6								
	SILVER	GREEN	24V	AV1921P624Q04	7-2213766-5								
	GOLD	GREEN	12V	AV1921P612R04	7-2213766-4								
	SILVER	GREEN	12V	AV1921P612Q04	7-2213766-3								
	GOLD	YELLOW	24V	AV1921P524R04	7-2213766-2								
	SILVER	YELLOW	24V	AV1921P524Q04	7-2213766-1								
	GOLD	YELLOW	12V	AV1921P512R04	7-2213766-0								
	SILVER	YELLOW	12V	AV1921P512Q04	6-2213766-9								
	GOLD	RED	24V	AV1921P324R04	6-2213766-8								
	SILVER	RED	24V	AV1921P324Q04	6-2213766-7								
	GOLD	RED	12V	AV1921P312R04	6-2213766-6								
	SILVER	RED	12V	AV1921P312Q04	6-2213766-5								
	GOLD	WHITE	24V	AV1921P124R04	6-2213766-4								
	SILVER	WHITE	24V	AV1921P124Q04	6-2213766-3								
	GOLD	WHITE	12V	AV1921P112R04	6-2213766-2								
	SILVER	WHITE	12V	AV1921P112Q04	6-2213766-1								
DOUBLE POLE-- MOMENTARY	GOLD	BLUE	24V	AV1920P724R04	6-2213766-0								
	SILVER	BLUE	24V	AV1920P724Q04	5-2213766-9								
	GOLD	BLUE	12V	AV1920P712R04	5-2213766-8								
	SILVER	BLUE	12V	AV1920P712Q04	5-2213766-7								
	GOLD	GREEN	24V	AV1920P624R04	5-2213766-6								
	SILVER	GREEN	24V	AV1920P624Q04	5-2213766-5								
	GOLD	GREEN	12V	AV1920P612R04	5-2213766-4								
	SILVER	GREEN	12V	AV1920P612Q04	5-2213766-3								
	GOLD	YELLOW	24V	AV1920P524R04	5-2213766-2								
	SILVER	YELLOW	24V	AV1920P524Q04	5-2213766-1								
	GOLD	YELLOW	12V	AV1920P512R04	5-2213766-0								
	SILVER	YELLOW	12V	AV1920P512Q04	4-2213766-9								
GOLD	RED	24V	AV1920P324R04	4-2213766-8									
SILVER	RED	24V	AV1920P324Q04	4-2213766-7									
GOLD	RED	12V	AV1920P312R04	4-2213766-6									
SILVER	RED	12V	AV1920P312Q04	4-2213766-5									
GOLD	WHITE	24V	AV1920P124R04	4-2213766-4									

THIS DRAWING IS A CONTROLLED DOCUMENT.		DWN 08FEB2016 CHK 08FEB2016	NAGALAKSHMI K HILL RYAN		TE Connectivity	
DIMENSIONS: mm [INCHES]		TOLERANCES UNLESS OTHERWISE SPECIFIED:		NAME		
		0 PLC ± - 1 PLC ± - 2 PLC ± - 3 PLC ± - 4 PLC ± - ANGLES ± - FINISH		HILL RYAN HILL RYAN PRODUCT SPEC		
MATERIAL		WEIGHT		SIZE CAGE CODE DRAWING NO RESTRICTED TO		
-		-		A2 00779 C=2213766		
CUSTOMER DRAWING				SCALE NTS	SHEET 3 OF 3	