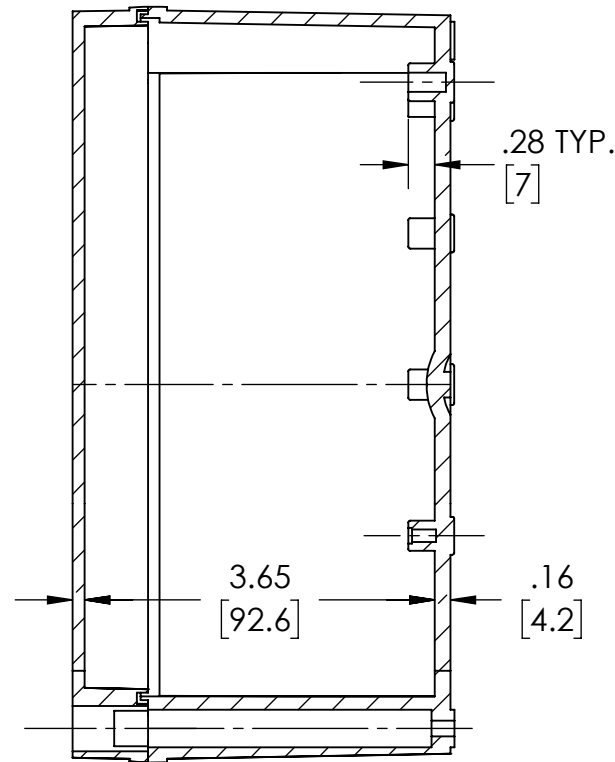
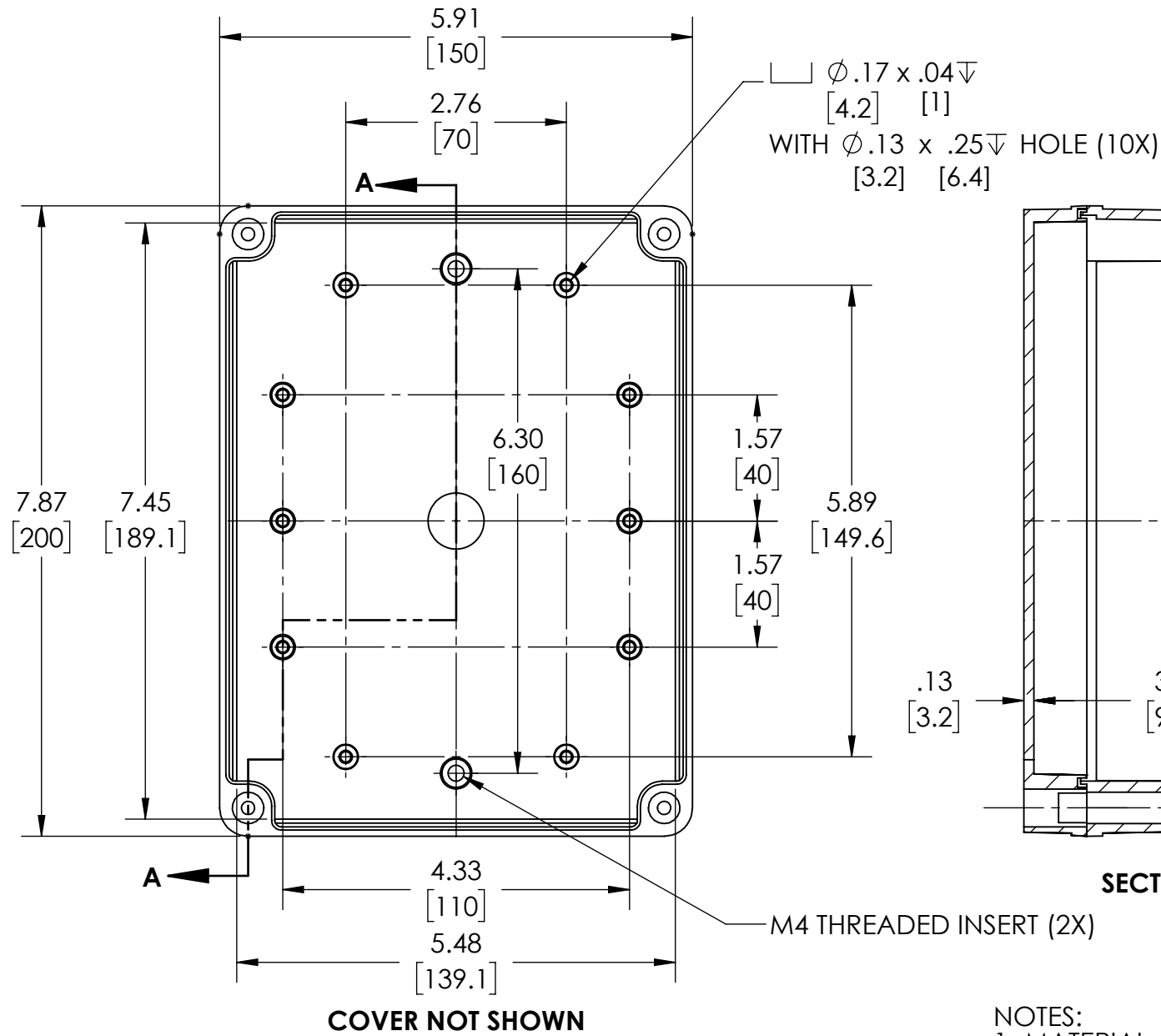
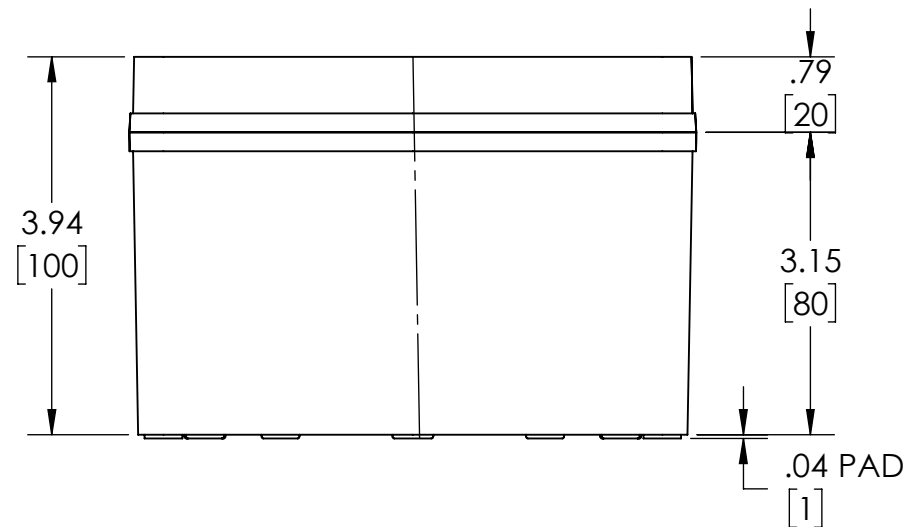
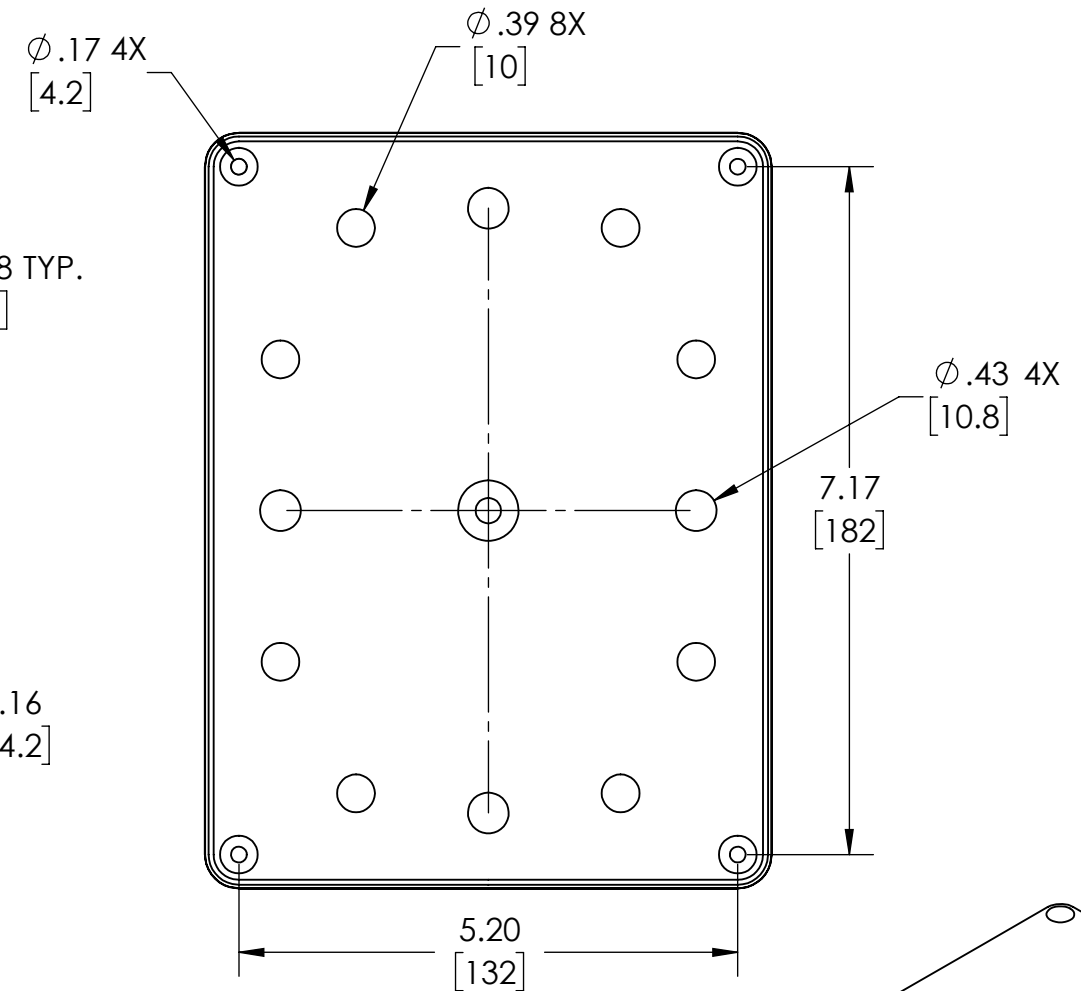


**DRAWING FOR REFERENCE**  
 WE RESERVE THE RIGHT TO MAKE CHANGES TO OUR STANDARD PRODUCTS. PLEASE CONSULT WITH BUD INDUSTRIES PRIOR TO USING THIS DRAWING FOR DESIGN PURPOSE.



**SECTION A-A**



**NOTES:**

- 1- MATERIAL: BODY - POLYCARBONATE WITH 10% FIBERGLASS COVER - POLYCARBONATE
- 2- COLOR: NO SUFFIX - GRAY BODY & GRAY COVER (-C) SUFFIX - GRAY BODY & CLEAR COVER
- 3- COVER ATTACHES WITH NON-METALLIC CAPTIVE SCREWS (ITEMS NOT SHOWN)
- 4- SUPPLIED WITH TWO M4 x 8mm LG. PAN HEAD SCREWS (ITEMS NOT SHOWN)
- 5- DIMENSIONS ARE INCH [MM]

**OPTIONAL ACCESSORIES:**

- STEEL INTERNAL PANEL #PTX-25328
- PLASTIC INTERNAL PANEL #PTX-25328-P
- MOUNTING BRACKET KIT (STAINLESS STEEL) #NBX-10922
- MOUNTING BRACKET KIT (PLASTIC) #PIX-4117

