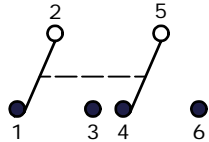


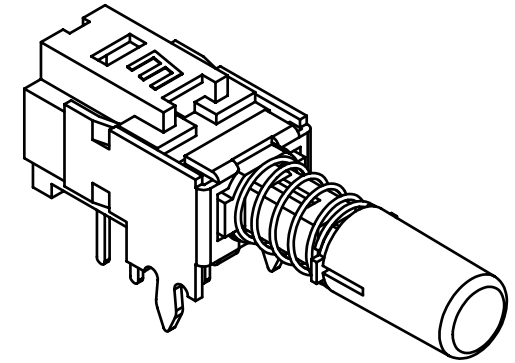
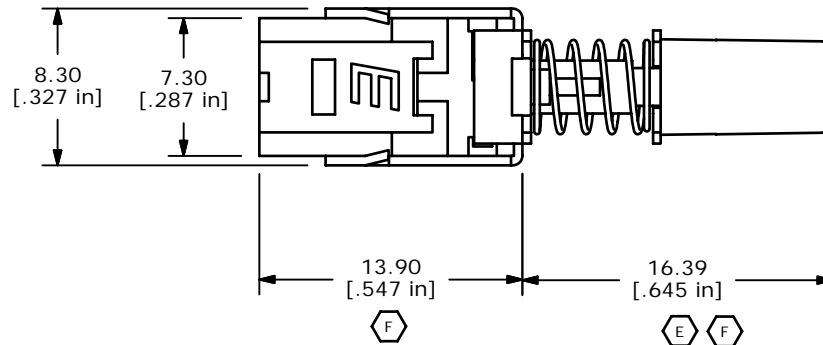
P.C. MOUNTING



CIRCUIT: 2PDT

NOTES:

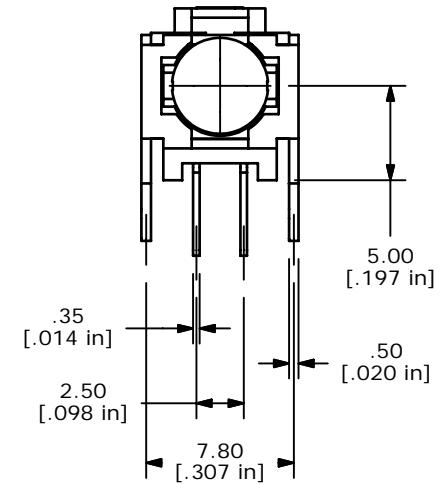
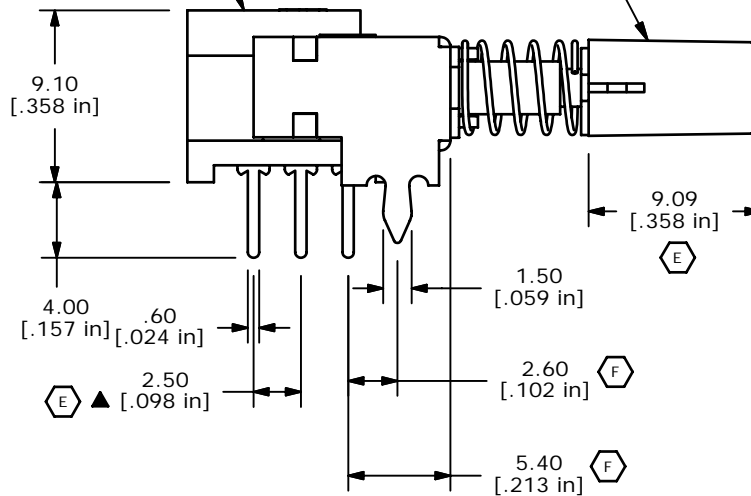
1. ALL DIMENSIONS IN MM [INCH]
2. GENERAL TOLERANCE: X.X±0.4  
X.XX±0.25
3. TERM. NOS. FOR REFERENCE ONLY.
4. RATING 0.1A @30V DC
- ▲ 5. MATERIALS:  
CONTACT/TERMINALS: SILVER PLATE  
HOUSING: PBT UL94HB  
BASE: PA66 UL94HB  
ACTUATOR: POM  
CAP: ABS UL94V0
6. CONTACT RESISTANCE: 100 mΩ (INITIAL)
- ▲ 7. TIMING: NON-SHORTING
8. OPERATING FORCE: 230±50GF
9. TRAVEL: LATCHING  
2MM TO LOCK  
3MM OVERALL
10. ELECTRICAL LIFE: 10000 CYCLES
11. OPERATING TEMP: -20°C TO +70°C
12. 2002/95/EC (ROHS) COMPLIANT
13. ▲ DENOTES CRITICAL PARAMETER.



ISOMETRIC

PBH2UEEKZXNAGX  
(Q960007)

1RBLK  
(Q800306)



F	15942	MOVE KZX 0.45MM CLOSER TO SWITCH	4/4/06	BK
E	15681	CHANGES NOTED	1/16/06	PH
D	15336	ADDED ROHS NOTE, EDIT PC MOUNT.	9/27/05	PH
C	15260	REVISED CAP DESCRIPTION, NOTE 5	9/8/05	PH
B	15213	CHANGES TO NOTE 9	8/29/05	PH
A	15108	RELEASED FOR PRODUCTION	8/4/05	BK
REV	PCR NO	DESCRIPTION	DATE	BY

THE INFORMATION CONTAINED IN THIS DOCUMENT IS PROPRIETARY TO E-SWITCH AND IS NOT TO BE COPIED OR TRANSFERRED

**E-SWITCH®**

TITLE PBH2UEEKZXNAG1RBLK

SCALE	DATE	DR	DWG	REV
2.5:1	08/04/05	BK	XQ0010P	F